



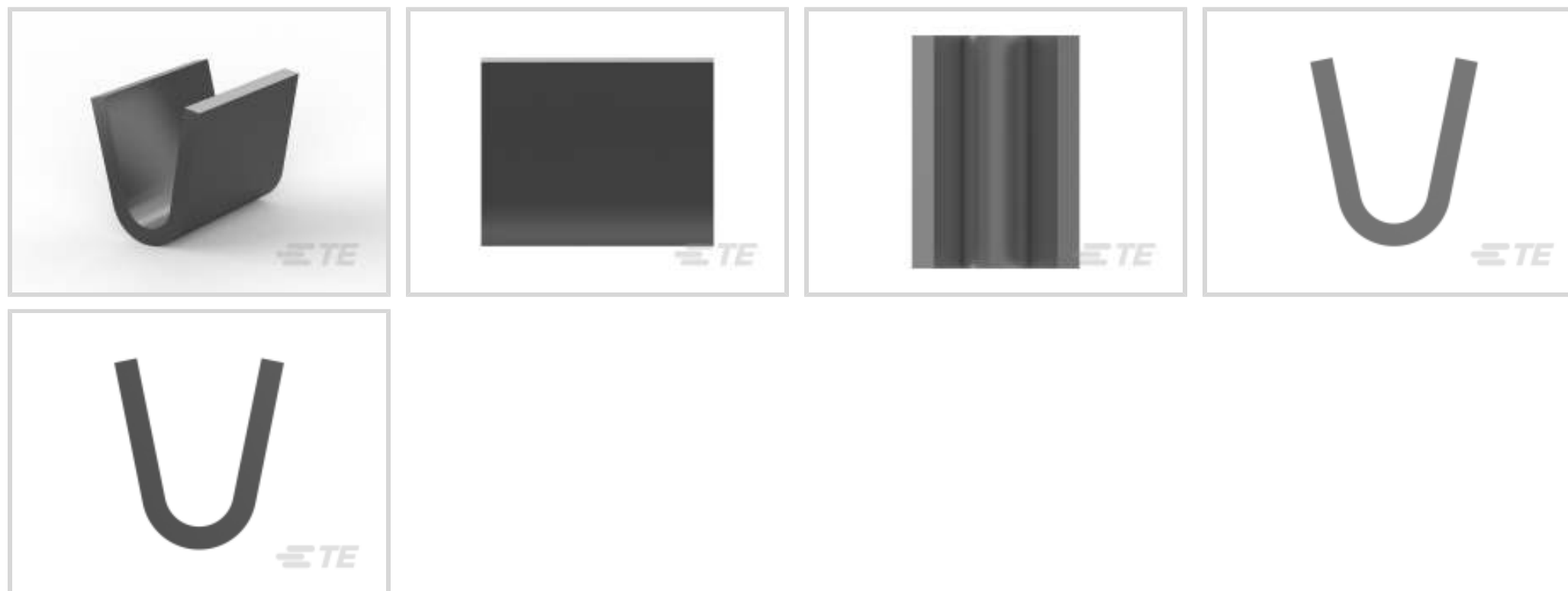
AMPLIVAR

TE Internal #: 280002-2

Splices, Pigtail Splice, 18.5 – 13.5 AWG Wire Size, .8 – 2.5 mm<sup>2</sup> Wire Size, Splice Capacity 3, Serrated, AMPLIVAR

[View on TE.com >](#)

Terminals & Splices > Splices



Wire Size: .8 – 2.5 mm<sup>2</sup>

Sealable: No

Splice Capacity: 3

Splice Features: Serrated

Features

Product Type Features

Sealable	No
Splice Type	Pigtail Splice
Compatible With Discrete Wire Type	Magnet Wire, Solid

Configuration Features

Strip Orientation	End Feed
Splice Capacity	3
Number of Serrations	7

Electrical Characteristics

Operating Voltage	250 V
-------------------	-------

Body Features

Product Weight	.272 g
Splice Features	Serrated

Contact Features

Terminal Plating Material	Tin
Contact Base Material	Brass



Barrel Type	Open
-------------	------

### Mechanical Attachment

Wire Insulation Support	Without
-------------------------	---------

### Dimensions

Wire Size	1500 – 5000 CMA
-----------	-----------------

Barrel Inside Diameter	1.66 mm[.065 in]
------------------------	------------------

Terminal Material Thickness	.5 mm[.02 in]
-----------------------------	---------------

Product Length	5.72 mm[.225 in]
----------------	------------------

### Usage Conditions

Insulation Option	Uninsulated
-------------------	-------------

Operating Temperature Range	-65 – 150 °C[-85 – 302 °F]
-----------------------------	----------------------------

### Operation/Application

Compatible With Wire Base Material	Aluminum, Copper
------------------------------------	------------------

### Industry Standards

Government Qualified Splice	No
-----------------------------	----

### Packaging Features

Packaging Quantity	30000
--------------------	-------

Packaging Method	Strip
------------------	-------

### Product Compliance

[For compliance documentation, visit the product page on TE.com>](#)

EU RoHS Directive 2011/65/EU	Compliant
------------------------------	-----------

EU ELV Directive 2000/53/EC	Compliant
-----------------------------	-----------

China RoHS 2 Directive MIIT Order No 32, 2016	No Restricted Materials Above Threshold
---	---

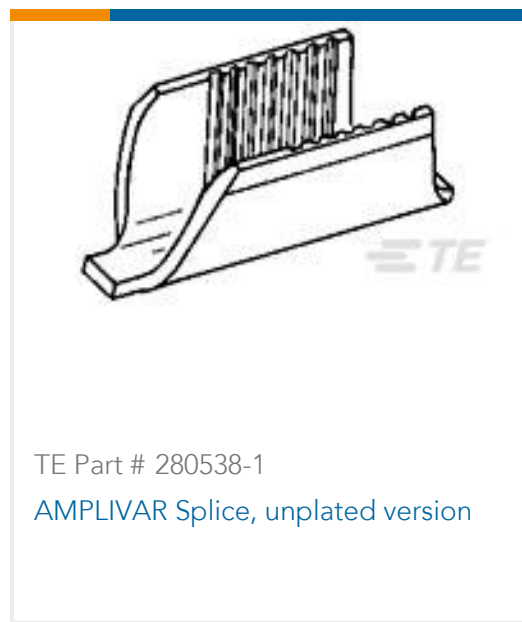
EU REACH Regulation (EC) No. 1907/2006	Current ECHA Candidate List: JUNE 2023 (235) Candidate List Declared Against: JAN 2023 (233) Does not contain REACH SVHC
--	--

Halogen Content	Low Halogen - Br, Cl, F, I < 900 ppm per homogenous material. Also BFR/CFR/PVC Free
-----------------	---

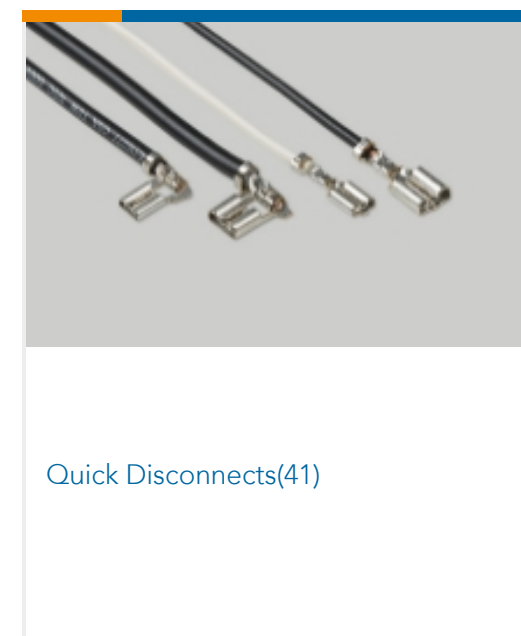
Solder Process Capability	Not applicable for solder process capability
---------------------------	--

This information is provided based on reasonable inquiry of our suppliers and represents our current actual knowledge based on the information they provided. This information is subject to change. The part numbers that TE has identified as EU RoHS compliant have a maximum concentration of 0.1% by weight in homogenous materials for lead, hexavalent chromium, mercury, PBB, PBDE, DBP, BBP, DEHP, DIBP, and 0.01% for cadmium, or qualify for an exemption to these limits as defined in the Annexes of Directive 2011/65/EU (RoHS2). Finished electrical and electronic equipment products will be CE marked as required by Directive 2011/65/EU. Components may not be CE marked. Additionally, the part numbers that TE has identified as EU ELV compliant have a maximum concentration of 0.1% by weight in homogenous materials for lead, hexavalent chromium, and mercury, and 0.01% for cadmium, or qualify for an exemption to these limits as defined in the Annexes of Directive 2000/53/EC (ELV). Regarding the REACH Regulation, the information TE provides on SVHC in articles for this part number is based on the latest European Chemicals Agency (ECHA) 'Guidance on requirements for substances in articles' posted at this URL: <https://echa.europa.eu/guidance-documents/guidance-on-reach>

## Compatible Parts



## Also in the Series | AMPLIVAR





Ring Terminals & Spade Terminals(28)



Splices(77)

## Customers Also Bought



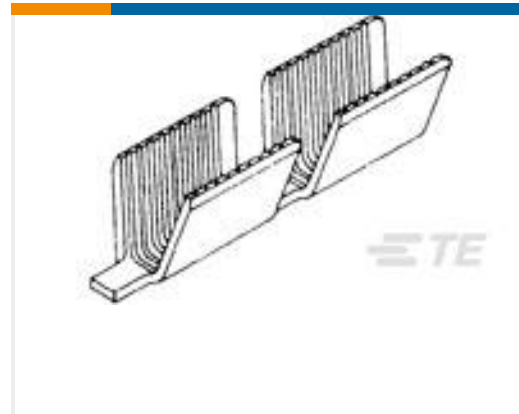
TE Part #42281-1  
FF 250 REC 18-14AWG BR



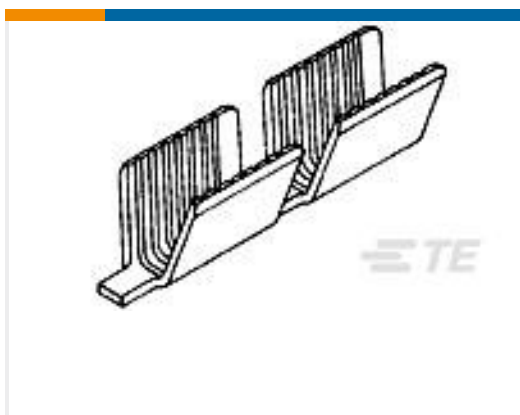
TE Part #485043-2  
SPLICE 4000-9000 .020 TPBR



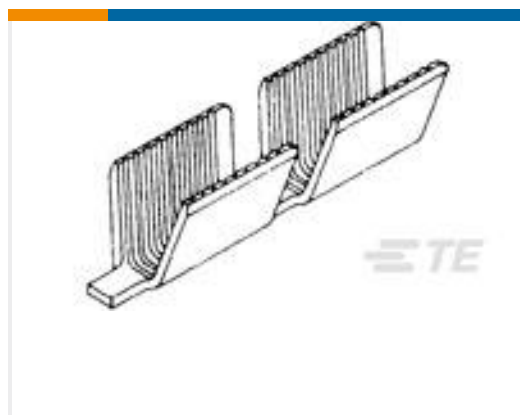
TE Part #2825180-2  
FINE MAGWIRE SPLICE, MINI-MAG SERRATION



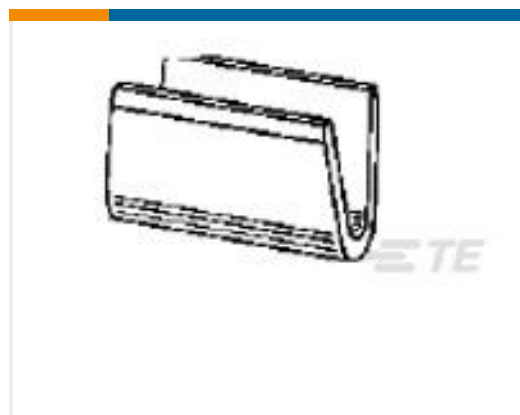
TE Part #62309-2  
AMVAR SPLC 5000-10000 025TPBR



TE Part #62157-2  
SPLICE AMVAR600TO3000 .020TPBR



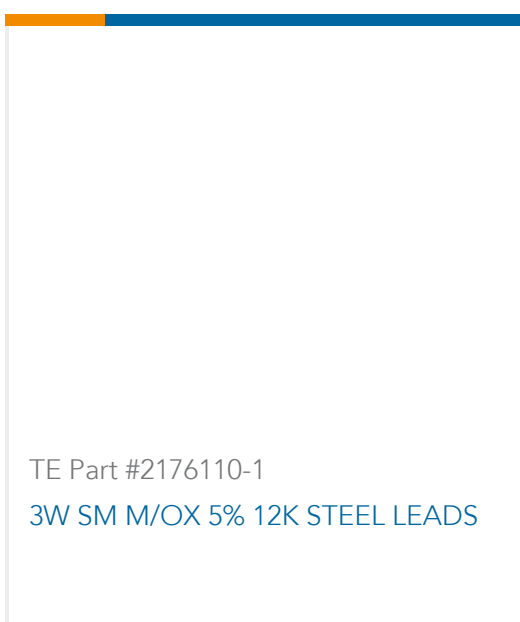
TE Part #62310-2  
AMVAR SPLC 7000-13000 025TPBR



TE Part #926823-2  
AM WIRE PIN 20-17 .013 PTPB



TE Part #1-1659321-0  
H30013/5000



TE Part #2176110-1  
3W SM M/OX 5% 12K STEEL LEADS

## Documents

### Product Drawings

[AMPLIV 1500 5000](#)

English

### CAD Files

[3D PDF](#)

3D

### Customer View Model

[ENG\\_CVM\\_CVM\\_280002-2\\_U.2d\\_dxf.zip](#)



English

**Customer View Model**

[ENG\\_CVM\\_CVM\\_280002-2\\_U.3d\\_igs.zip](#)

English

**Customer View Model**

[ENG\\_CVM\\_CVM\\_280002-2\\_U.3d\\_stp.zip](#)

English

By downloading the CAD file I accept and agree to the [Terms and Conditions](#) of use.

---

**Datasheets & Catalog Pages**

[1654742\\_HOUSEHOLD\\_APPLIANCES\\_RAST5](#)

English

**Magnet Wire Terminals & Splices**

English

---

**Product Specifications**

**Application Specification**

English

[AMPLIVAR 7 Serration Pigtail Splice](#)

English

---

**Product Environmental Compliance**

[MD\\_280002-2\\_06122017146\\_dmtec](#)

English

[MD\\_280002-2\\_06122017146\\_dmtec](#)

English