



# MIC2844A

## High Efficiency 6 Channel WLED Driver with DAM™ and Single Wire Digital Control

### General Description

The MIC2844A is a high efficiency linear White LED (WLED) driver designed to drive up to six WLEDs, greatly extending battery life for portable display backlighting keypad backlighting, and camera flash in mobile devices. The MIC2844A provides the highest possible efficiency as this architecture has no switching losses present in traditional charge pumps or inductive boost circuits. The MIC2844A provides six linear drivers which maintain constant current for up to six WLEDs. It features a typical dropout of 40mV at 20mA. This allows the WLEDs to be driven directly from the battery eliminating switching noise/losses present with the use of boost circuitry.

The MIC2844A features Dynamic Average Matching™ (DAM™) which is specifically designed to provide optimum matching across all WLEDs. The six channels are matched better than  $\pm 1.5\%$  typical, ensuring uniform display illumination under all conditions. The LED brightness is preset by an external resistor and can be dimmed using a single-wire digital control. The digital interface takes commands from digital programming pulses to change the brightness in a logarithmic scale similar to the eye's perception of brightness. The single-wire digital brightness control is divided into two modes of operation; full brightness mode, or battery saving mode for a total of 49 brightness steps.

The MIC2844A is available in the 10-pin 2mm x 2mm Thin MLF® leadless package with a junction temperature range of  $-40^{\circ}\text{C}$  to  $+125^{\circ}\text{C}$ .

Datasheets and support documentation can be found on Micrel's web site at: [www.micrel.com](http://www.micrel.com).

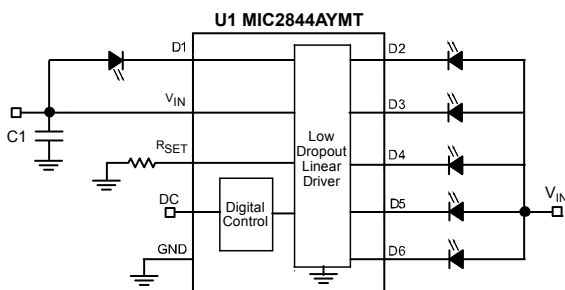
### Features

- High Efficiency (no Voltage Boost losses)
- Dynamic Average Matching™ (DAM™)
- Single wire digital control
- Input voltage range: 3.0V to 5.5V
- Dropout of 40mV at 20mA
- Matching better than  $\pm 1.5\%$  (typical)
- Current accuracy better than  $\pm 1.5\%$  (typical)
- Maintains proper regulation regardless of how many channels are utilized
- Available in a 10-pin 2mm x 2mm Thin MLF® package

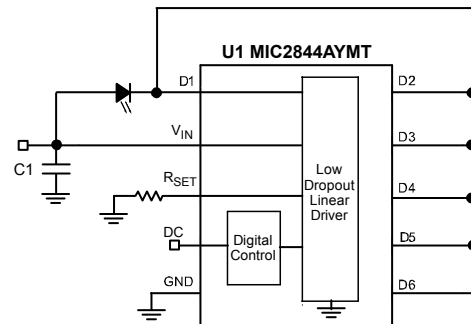
### Applications

- Mobile handsets
- Handset LCD backlighting
- Handset keypad backlighting
- Camera flash (see MIC2843A datasheet)
- Digital cameras
- Portable media/MP3 players
- Portable navigation devices (GPS)
- Portable applications

### Typical Application



LCD Display Backlight with Six WLEDs



High Current Flash Driver

DAM and Dynamic Average Matching is a trademark of Micrel, Inc.  
MLF and *MicroLeadFrame* are registered trademark Amkor Technology Inc.

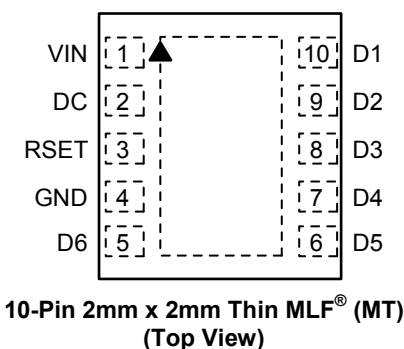
## Ordering Information

| Part Number | Mark Code <sup>(1)</sup> | Temperature Range | Package <sup>(2)</sup>                 |
|-------------|--------------------------|-------------------|--|
| MIC2844AYMT | T4Y                      | -40°C to +125°C   | 10-Pin 2mm x 2mm Thin MLF <sup>®</sup> |

**Note:**

- Thin MLF<sup>®</sup> ▲ = Pin 1 identifier.
- Thin MLF<sup>®</sup> is a GREEN RoHS compliant package. Lead finish is NiPdAu. Mold compound is halogen free.

## Pin Configuration



## Pin Description

| Pin Number | Pin Name | Pin Function  |
|------------|----------|---|
| 1          | VIN      | Voltage Input. Connect at least 1 $\mu$ F ceramic capacitor between VIN and GND.  |
| 2          | DC       | Digital control input for linear WLED driver. See Digital Dimming Interface. Do not leave floating.   |
| 3          | RSET     | An internal 1.27V reference sets the nominal maximum WLED current. Example, apply a 20.5k $\Omega$ resistor between RSET and GND to set LED current to 20mA at 100% duty cycle. |
| 4          | GND      | Ground.   |
| 5          | D6       | LED6 driver. Connect LED anode to VIN and cathode to this pin.  |
| 6          | D5       | LED5 driver. Connect LED anode to VIN and cathode to this pin.  |
| 7          | D4       | LED4 driver. Connect LED anode to VIN and cathode to this pin.  |
| 8          | D3       | LED3 driver. Connect LED anode to VIN and cathode to this pin.  |
| 9          | D2       | LED2 driver. Connect LED anode to VIN and cathode to this pin.  |
| 10         | D1       | LED1 driver. Connect LED anode to VIN and cathode to this pin.  |
| EPAD       | HS PAD   | Heat sink pad. Not internally connected. Connect to ground.   |

**Absolute Maximum Ratings<sup>(1)</sup>**

|                                      |                    |
|--------------------------------------|--------------------|
| Main Input Voltage ( $V_{IN}$ )      | -0.3V to +6V       |
| Enable Input Voltage ( $V_{DC}$ )    | -0.3V to +6V       |
| LED Driver Voltage ( $V_{D1-D6}$ )   | -0.3V to +6V       |
| Power Dissipation                    | Internally Limited |
| Lead Temperature (soldering, 10sec.) | 260°C              |
| Storage Temperature ( $T_s$ )        | -65°C to +150°C    |
| ESD Rating <sup>(3)</sup>            | ESD Sensitive      |

**Operating Ratings<sup>(2)</sup>**

|  |                 |
|--|-----------------|
| Supply Voltage ( $V_{IN}$ )  | +3.0V to +5.5V  |
| Enable Input Voltage ( $V_{DC}$ )  | 0V to $V_{IN}$  |
| LED Driver Voltage ( $V_{D1-D6}$ )   | 0V to $V_{IN}$  |
| Junction Temperature ( $T_J$ )   | -40°C to +125°C |
| Junction Thermal Resistance<br>2mm x 2mm Thin MLF <sup>®</sup> ( $\theta_{JA}$ ) | 90°C/W          |

**Electrical Characteristics**

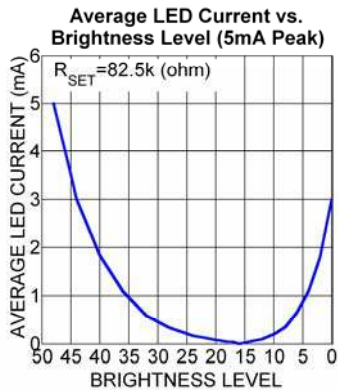
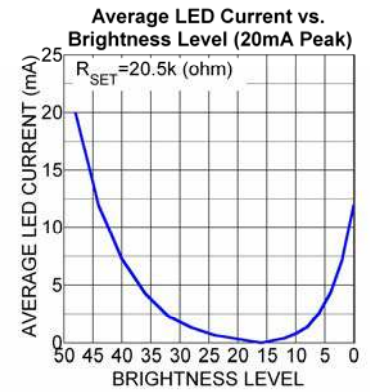
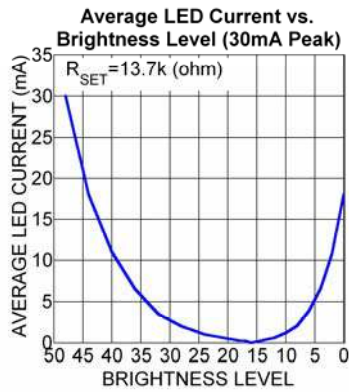
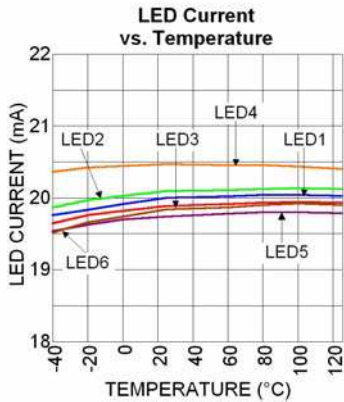
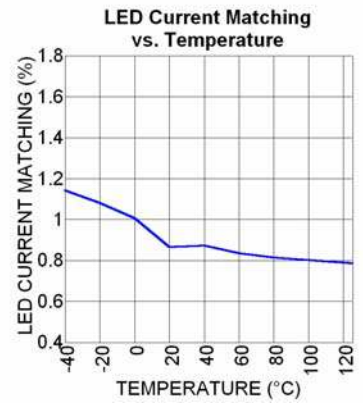
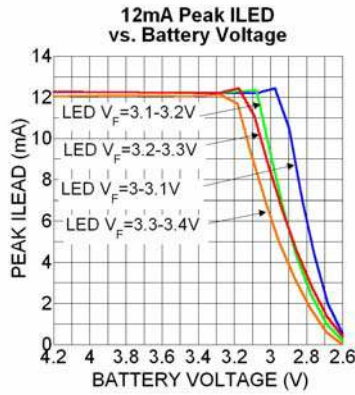
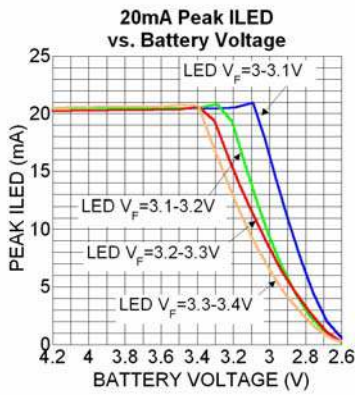
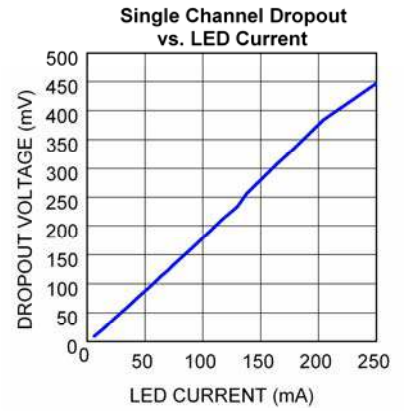
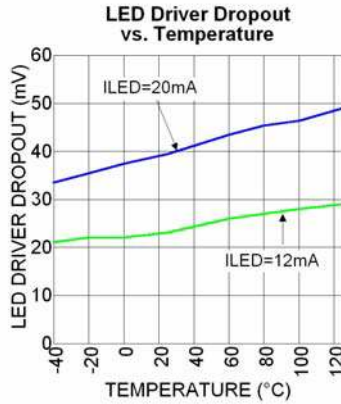
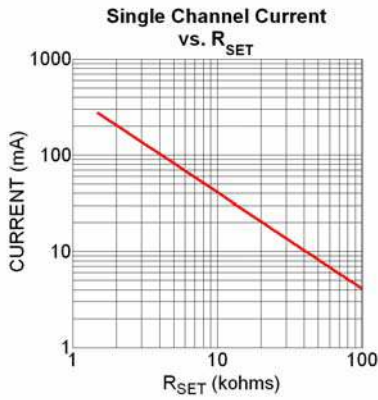
$V_{IN} = V_{DC} = 3.8V$ ,  $R_{SET} = 20.5k\Omega$ ;  $V_{D1-D6} = 0.6V$ ;  $T_J = 25^\circ C$ , **bold** values indicate  $-40^\circ C \leq T_J \leq 125^\circ C$ ; unless noted.

| Parameter                                    | Conditions   | Min        | Typ  | Max        | Units   |
|--|--|------------|------|------------|---------|
| Current Accuracy <sup>(4)</sup>              |  |            | 1.5  |            | %       |
| Matching <sup>(5)</sup>                      |  |            | 1.5  | 3.6        | %       |
| Drop-out                                     | Where $I_{LED} = 90\%$ of LED current seen at $V_{DROP\,NOM} = 0.6V$ , 100% brightness level |            | 40   | <b>80</b>  | mV      |
| Ground/Supply Bias Current                   | $I_{LED} = 20mA$   |            | 1.4  | 1.8        | mA      |
| Shutdown Current<br>(current source leakage) | $V_{DC} = 0V > 1260\mu s$  |            | 0.01 | 1          | $\mu A$ |
| <b>Digital Dimming</b>                       |  |            |      |            |         |
| DC Input Voltage ( $V_{DC}$ )                | Logic Low  |            |      | <b>0.2</b> | V       |
|  | Logic High   | <b>1.2</b> |      |            | V       |
| Enable Input Current                         | $V_{DC} = 1.2V$  |            | 0.01 | 1          | $\mu A$ |
| $t_{SHUTDOWN}$                               | Time DC pin is low to put into shutdown  | 1260       |      |            | $\mu s$ |
| $t_{MODE\_UP}$                               | Time DC pin is low to change to Count Up Mode  | 100        |      | 160        | $\mu s$ |
| $t_{MODE\_DOWN}$                             | Time DC pin is low to change to Count Down Mode  | 420        |      | 500        | $\mu s$ |
| $t_{PROG\_HIGH}$ , $t_{PROG\_LOW}$           | Time for valid edge count; Ignored if outside limit range                                    | 2          |      | 32         | $\mu s$ |
| $t_{DELAY}$                                  | Time DC pin must remain high before a mode change can occur                                  | 100        |      |            | $\mu s$ |
| $t_{PROG\_SETUP}$                            | First down edge must occur in this window during presetting brightness                       | 5          |      | 75         | $\mu s$ |
| $t_{START\_UP}$                              | Delay from DC is high to start up  | 140        |      |            | $\mu s$ |

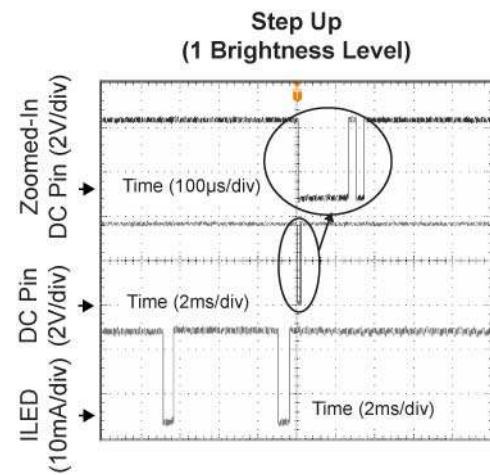
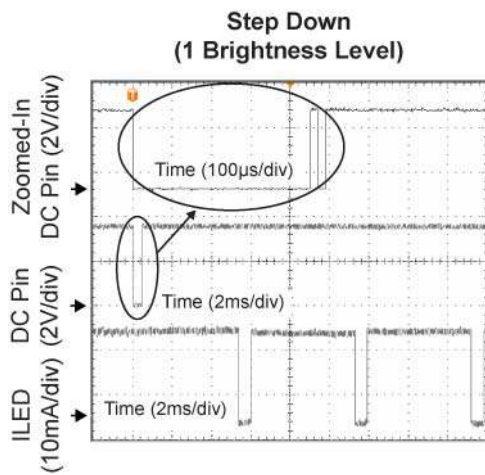
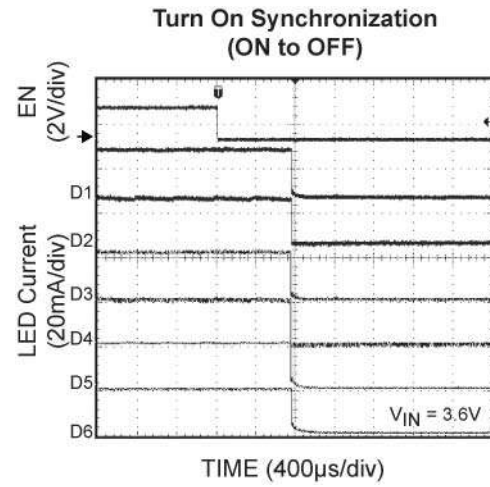
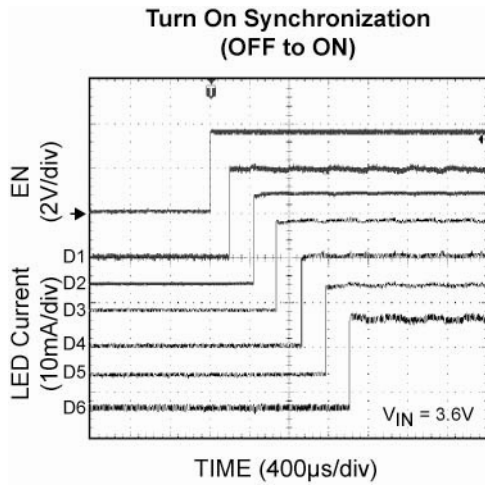
**Notes:**

- Exceeding the absolute maximum rating may damage the device.
- The device is not guaranteed to function outside its operating rating.
- Devices are ESD sensitive. Handling precautions recommended. Human body model, 1.5k $\Omega$  in series with 100pF.
- As determined by average current of all channels in use and all channels loaded.
- The current through each LED meets the stated limits from the average current of all LEDs.

# Typical Characteristics



# Functional Characteristics



### Functional Diagram

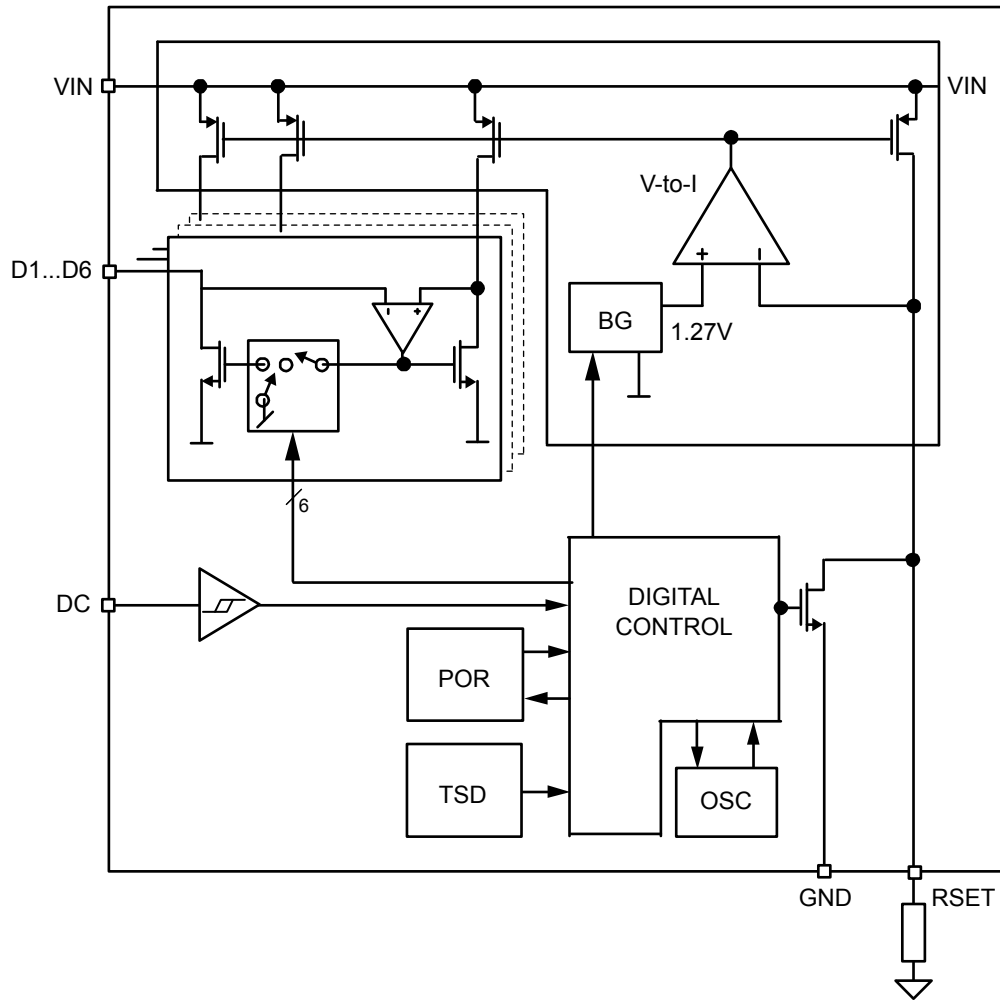


Figure 1. MIC2844A Functional Block Diagram

## Functional Description

The MIC2844A is a six channel linear WLED driver. The WLED driver is designed to maintain proper current regulation with LED current accuracy of 1.5%, and typical matching of 1.5% across the six channels. The WLEDs are driven independently from the input supply and will maintain regulation with a dropout of 40mV at 20mA. The low dropout allows the WLEDs to be driven directly from the battery voltage and eliminates the need for large and inefficient charge pumps. The maximum WLED current for each channel is set via an external  $R_{SET}$  resistor. If dimming is desired the MIC2844A is controlled by a single-wire digital interface.

### Block Diagram

As shown in Figure 1, the MIC2844A consists of six current mirrors set to copy a master current determined by the  $R_{SET}$  resistor. The linear drivers have a designated control block for enabling and dimming of the WLEDs.

### $V_{IN}$

The input supply ( $V_{IN}$ ) provides power to the linear drivers and the control circuitry. The  $V_{IN}$  operating range is 3V to 5.5V. A bypass capacitor of 1 $\mu$ F should be placed close to input (VIN) pin and the ground (GND) pin. Refer to the layout recommendations section for details on placing the input capacitor (C1).

### DC

The DC pin is used to enable and control dimming of the linear drivers on the MIC2844A. See the MIC2844A Digital Dimming Interface in the Application Information section for details. Pulling the DC pin low for more than 1260 $\mu$ s puts the MIC2844A into a low  $I_q$  sleep mode. The DC pin cannot be left floating; a floating enable pin may cause an indeterminate state on the outputs. A 200k $\Omega$  pull down resistor is recommended.

### $R_{SET}$

The  $R_{SET}$  pin is used by connecting a  $R_{SET}$  resistor to ground to set the peak current of the linear LED drivers. The average LED current can be calculated by the equation (1) below.

$$I_{LED} \text{ (mA)} = 410 * \text{ADC} / R_{SET} \text{ (k}\Omega\text{)} \quad (1)$$

ADC is the average duty cycle of the LED current controlled by the single-wire digital dimming. See Table 1 for ADC values. When the device is fully on the average duty cycle equals 100% (ADC=1). A plot of  $I_{LED}$  versus  $R_{SET}$  at 100% duty cycle is shown in Figure 2.

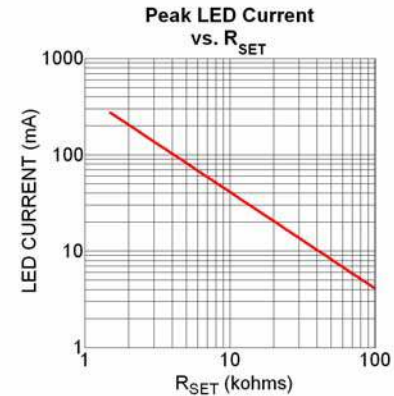


Figure 2. Peak LED Current vs.  $R_{SET}$

### D1-D6

The D1 through D6 pins are the linear driver for WLED 1 through 6, respectively. When operating with less than six WLEDs, leave the unused D pins unconnected. The linear drivers are extremely versatile in that they may be used in any combination, for example D1 thru D6 leaving D5 unconnected or paralleled for higher current applications.

### GND

The ground pin is the ground path for the linear drivers. The current loop for the ground should be as small as possible. The ground of the input capacitor should be routed with low impedance traces to the GND pin and made as short as possible. Refer to the layout recommendations for more details.

### Application Information

| Brightness Level (0 - 48) | Average Duty Cycle (%) | Average I <sub>LED</sub> (mA) | I <sub>PEAK</sub> (mA)   |
|---------------------------|------------------------|-------------------------------|--|
| 0                         | 100                    | 12                            | <b>60% of I<sub>PEAK</sub></b><br><b>R<sub>SET</sub> = 20.5kΩ</b><br><b>I<sub>PEAK</sub> = 12mA</b>  |
| 1                         | 80                     | 9.6                           |  |
| 2                         | 60                     | 7.2                           |  |
| 3                         | 48.33                  | 5.8                           |  |
| 4                         | 36.67                  | 4.4                           |  |
| 5                         | 29.17                  | 3.5                           |  |
| 6                         | 21.67                  | 2.6                           |  |
| 7                         | 16.67                  | 2                             |  |
| 8                         | 11.67                  | 1.4                           |  |
| 9                         | 9.17                   | 1.1                           |  |
| 10                        | 6.67                   | 0.8                           |  |
| 11                        | 5                      | 0.6                           |  |
| 12                        | 3.33                   | 0.4                           |  |
| 13                        | 2.5                    | 0.3                           |  |
| 14                        | 1.67                   | 0.2                           |  |
| 15                        | 0.83                   | 0.1                           |  |
| 16                        | 0                      | 0                             | <b>0</b>   |
| 17                        | 0.83                   | 0.1                           | <b>60% of I<sub>PEAK</sub></b>   |
| 18                        | 0.83                   | 0.17                          | <b>100% of I<sub>PEAK</sub></b><br><b>R<sub>SET</sub> = 20.5kΩ</b><br><b>I<sub>PEAK</sub> = 20mA</b> |
| 19                        | 1.25                   | 0.25                          |  |
| 20                        | 1.67                   | 0.33                          |  |
| 21                        | 2.08                   | 0.42                          |  |
| 22                        | 2.5                    | 0.5                           |  |
| 23                        | 2.92                   | 0.58                          |  |
| 24                        | 3.33                   | 0.67                          |  |
| 25                        | 4.17                   | 0.83                          |  |
| 26                        | 5                      | 1                             |  |
| 27                        | 5.83                   | 1.17                          |  |
| 28                        | 6.67                   | 1.33                          |  |
| 29                        | 7.92                   | 1.58                          |  |
| 30                        | 9.17                   | 1.83                          |  |
| 31                        | 10.42                  | 2.08                          |  |
| 32                        | 11.67                  | 2.33                          |  |
| 33                        | 14.17                  | 2.83                          |  |
| 34                        | 16.67                  | 3.33                          |  |
| 35                        | 19.17                  | 3.83                          |  |
| 36                        | 21.67                  | 4.33                          |  |
| 37                        | 25.42                  | 5.08                          |  |
| 38                        | 29.17                  | 5.83                          |  |
| 39                        | 32.92                  | 6.58                          |  |
| 40                        | 36.67                  | 7.33                          |  |
| 41                        | 42.5                   | 8.5                           |  |
| 42                        | 48.33                  | 9.67                          |  |
| 43                        | 54.17                  | 10.83                         |  |
| 44                        | 60                     | 12                            |  |
| 45                        | 70                     | 14                            |  |
| 46                        | 80                     | 16                            |  |
| 47                        | 90                     | 18                            |  |
| 48                        | 100                    | 20                            |  |

Table 1. Digital Interface Brightness Level Table

### Dynamic Average Matching™ (DAM™)

The Dynamic Average Matching™ architecture multiplexes four voltage references to provide highly accurate LED current and channel matching. The MIC2844A achieves industry leading LED channel matching of 1.5% across the entire dimming range.

### High Current Parallel Operation

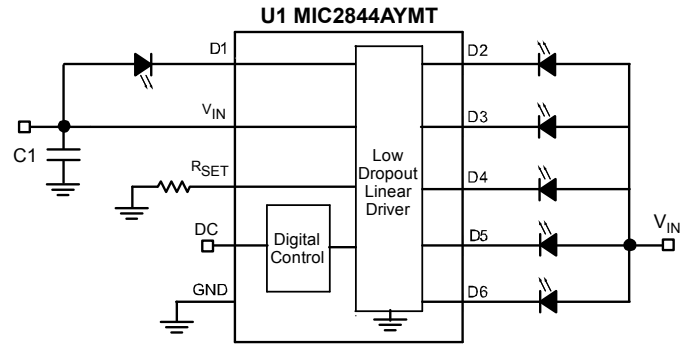


Figure 3. High Current LED Driver Circuit

The linear drivers are independent of each other and can be used individually or paralleled in any combination for higher current applications. A single WLED can be driven with all 6 linear drivers by connecting D1 through D6 in parallel to the cathode of the WLED as shown in Figure 3. This will generate a current 6 times the individual channel current and can be used for higher current WLEDs such as those used in flash or torch applications.

### Digital Dimming

The MIC2844A utilizes an internal dynamic pulse width to generate an average duty cycle for each brightness level. By varying the duty cycle the average current achieves 49 logarithmically spaced brightness levels. This generates a brightness scale similar to the perception of brightness seen by the “human eye.” Figure 4 shows the LED current for a single channel at different brightness levels. When dimming, the D1 through D6 pins are 60° out of phase from each other to reduce electromagnetic interference. The MIC2844A uses an internal frequency of approximately 700Hz to dim the WLEDs. With the period of approximately 1.43ms, the 60° phase shift equates to a timing offset of 238µs. As shown in Figure 5, brightness level 32 was selected to show the phase shift across the channels.



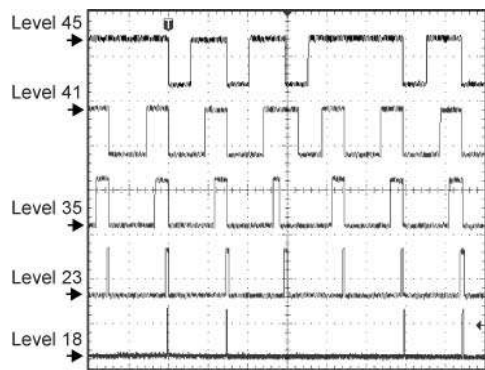


Figure 4. LED Current with Brightness Level Change

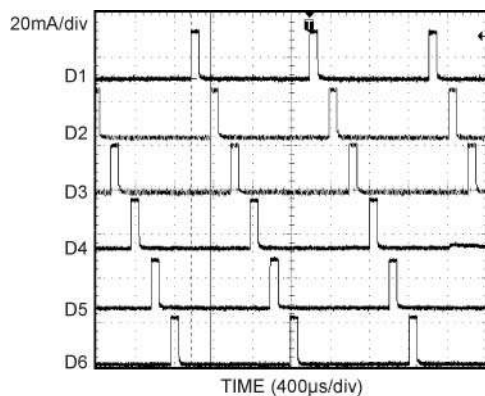


Figure 5. LED Current 60° Phase Shift

**Digital Dimming Interface**

The MIC2844A incorporates an easy to use single-wire, serial programming interface that allows users to set LED brightness up to 49 different levels, as shown in the table1.

Brightness levels 0 through 15 are logarithmically spaced with a peak current equal to 60% of the current programmed by  $R_{SET}$ . Brightness level 16 is provided for applications that want to “fade to black” with no current flowing through the LEDs. Brightness Level 17 has the same duty cycle as level 18, but the peak current is only 60% of the current set by  $R_{SET}$ ; therefore, the average current is 0.1mA. Brightness levels 18 through 48 are also logarithmically spaced, but the peak current is equal to 100% of the current determined by  $R_{SET}$ . Refer to Table 1 for the translation from brightness level to average LED duty cycle and current. The MIC2844A is designed to receive programming pulses to increase or decrease brightness. Once the brightness change signal is received, the DC pin is simply pulled high to maintain the brightness. This “set and forget” feature relieves processor computing power by eliminating the need to constantly send a PWM signal to the dimming pin. With a digital control interface, brightness levels can also be preset so that LEDs can be turned on at any particular brightness level.

**Start Up**

Assuming the MIC2844A has been off for a long time and no presetting brightness command is issued (presetting is discussed in a later section), the MIC2844A will start-up in its default mode approximately  $140\mu s$  ( $t_{START\_UP}$ ) after a logic level high is applied to the DC pin, shown in Figure 6. In the default mode the LEDs are turned on at the maximum brightness level of 48. Each falling edge during the  $t_{PROG\_SETUP}$  period will cause the default brightness level to decrease by one. This is discussed in more detail in the Presetting Brightness section.

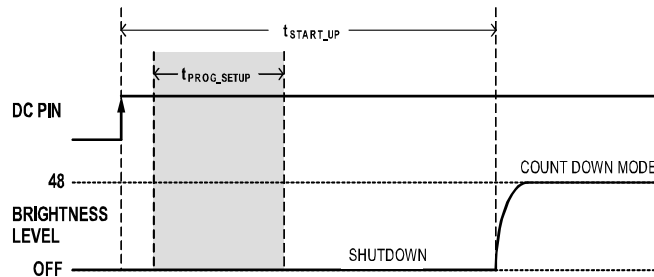


Figure 6. Typical Start-Up Timing

**Shutdown**

Whenever the DC input pin is pulled low for a period greater than or equal to  $t_{SHUTDOWN}$  (1260µs), the MIC2844A will be shutdown as shown in Figure 7.

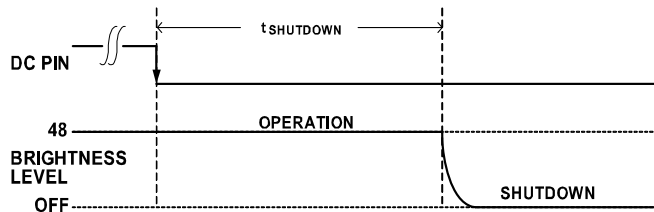


Figure 7. Shutdown Timing

Once the device is shutdown, the control circuit supply is disabled and the LEDs are turned off, drawing only  $0.01\mu A$ . Brightness level information stored in the MIC2844A prior to shutdown will be erased.

**Count Up Mode/Count Down Mode**

The mode of MIC2844A can be in either Count Up Mode or Count Down Mode. The Count Down/Up Modes determine what the falling edges of the programming pulses will do to the brightness. In Count Up Mode, subsequent falling edges will increase brightness while in Count Down Mode, subsequent falling edges will decrease brightness. By default, the MIC2844A is in Count Down Mode when first turned on. The counting mode can be changed to Count Up Mode, by pulling the DC pin low for a period equal to  $t_{MODE\_UP}$  ( $100\mu s$  to  $160\mu s$ ), shown in Figure 8. The device will remain in

Count Up Mode until its mode is changed to Count Down Mode or by disabling the MIC2844A to reset the mode back to default.

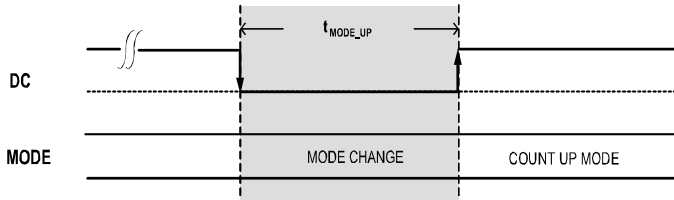


Figure 8. Mode Change to Count Up

To change the mode back to Count Down Mode, pull the DC pin low for a period equal to  $t_{MODE\_DOWN}$  (420 $\mu$ s to 500 $\mu$ s), shown in Figure 9. Now the internal circuitry will remain in Count Down Mode until changed to Count Up as described previously.

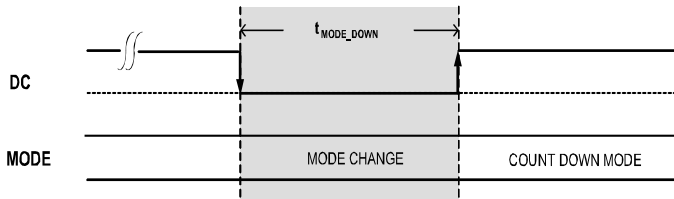


Figure 9. Mode Change to Count Down

**Programming the Brightness Level**

MIC2844A is designed to start driving the LEDs 140 $\mu$ s ( $t_{START\_UP}$ ) after the DC pin is first pulled high at the maximum brightness level of 48. After start up, the internal control logic is ready to decrease the LED brightness upon receiving programming pulses (negative edges applied to DC pin). Since MIC2844A starts in Count Down Mode, the brightness level can be decreased without a mode change by applying two programming pulses, as shown in Figure 10. Note that the extra pulse is needed to decrease brightness because the first edge is ignored. Anytime the first falling edge occurs later than 32 $\mu$ s after a Mode Change, it will be ignored. Ignoring the first falling edge is necessary in order that Mode Change ( $t_{MODE\_UP}$ ,  $t_{MODE\_DOWN}$ ) pulses do not result in adjustments to the brightness level. Each programming pulse has a high ( $t_{PROG\_HIGH}$ ) and a low ( $t_{PROG\_LOW}$ ) pulse width that must be between 2 $\mu$ s to 32 $\mu$ s. The MIC2844A will remember the brightness level and mode it was changed to. For proper operation, ensure that the DC pin remains high for at least  $t_{DELAY}$  (140 $\mu$ s) before issuing a mode change command.

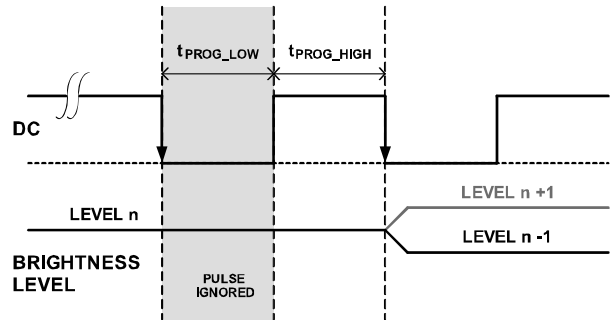


Figure 10. Brightness Programming Pulses

Multiple brightness levels can be set as shown in Figure 11. When issuing multiple brightness level adjustments to the DC pin, ensure both  $t_{PROG\_LOW}$  and  $t_{PROG\_HIGH}$  are within 2 $\mu$ s to 32 $\mu$ s.

To maintain operation at the current brightness level simply maintain a logic level high at the DC pin.

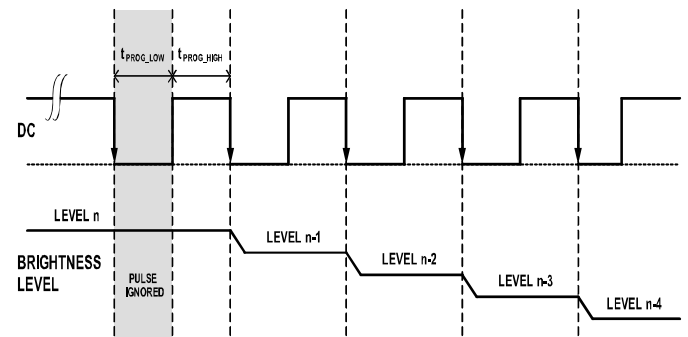


Figure 11. Decreasing Brightness Several Levels

As mentioned, MIC2844A can be programmed to set LED drive current to produce one of 49 distinct brightness levels. The internal logic keeps track of the brightness level with an Up/Down counter circuit. The following section explains how the brightness counter functions with continued programming edges.

**Counter Roll-Over**

The MIC2844A internal up/down counter contains registers from 0 to 48 (49 levels). When the brightness level is at 0 and a programming pulse forces the brightness to step down, then the counter will roll-over to level 48. This is illustrated in Figure 12.

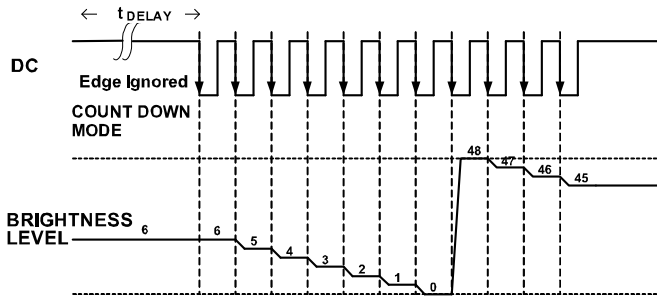


Figure 12. Down Counter Roll-Over

Similarly, when the counter mode is set to Count Up and a programming pulse forces the brightness level to step up from level 48, then the counter will roll-over to level 0 as illustrated in Figure 13.

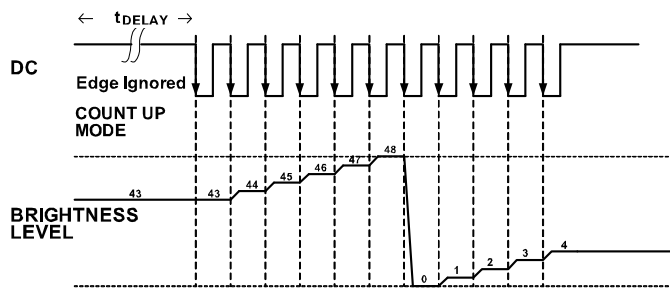


Figure 13. Up Counter Roll-Over

**One-Step Brightness Changes**

The “One-Step” brightness change procedure relieves the user from keeping track of the MIC2844A’s up/down counter mode. It combines a Mode Change with a programming edge; therefore, regardless of the previous Count Mode, it will change the brightness level by one.

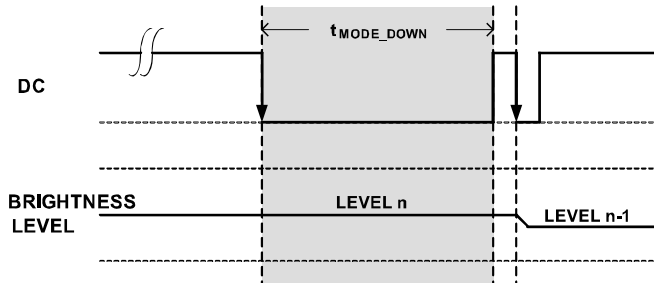


Figure 14. One-Step Brightness Decrease

The One-Step Brightness Decrease method is quite simple. First, the DC pin is pulled low for a period equal to the  $t_{MODE\_DOWN}$  (420 $\mu$ s to 500 $\mu$ s) and immediately followed by a falling edge within  $t_{PROG\_HIGH}$  (2 $\mu$ s to 32 $\mu$ s) as shown in Figure 14. This will decrease the brightness level by 1. Similarly a One-Step Brightness Increase can be assured by first generating a DC down pulse whose period is equal to the  $t_{MODE\_UP}$  (100 $\mu$ s to 160 $\mu$ s) and immediately followed by a falling edge within  $t_{PROG\_HIGH}$

(2 $\mu$ s to 32 $\mu$ s). Figure 15 illustrates the proper timing for execution of a One-Step Brightness Increase.

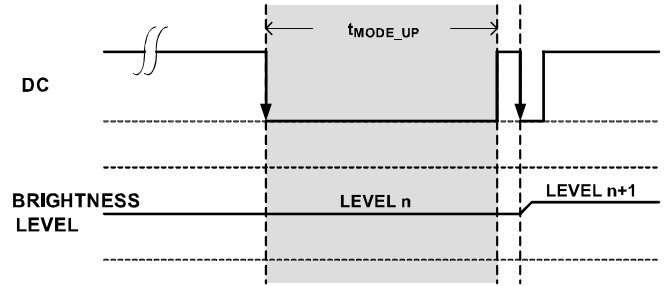


Figure 15. One-Step Brightness Increase

**Presetting Brightness**

Presetting the brightness will allow the MIC2844A start-up at any brightness level (0 to 48). The MIC2844A does not turn on the linear LED driver until the DC pin is kept high for  $t_{START\_UP}$  (140 $\mu$ s). This grants the user time to preset the brightness level by sending a series of programming edges via the DC pin. The precise timing for the first down edge is between 5 $\mu$ s to 75 $\mu$ s after the DC pin is first pulled high. The 70 $\mu$ s timeframe between 5 $\mu$ s and 75 $\mu$ s is the  $t_{PROG\_SETUP}$  period. The first presetting pulse edge must occur somewhere between the timeframe of 5 $\mu$ s to 75 $\mu$ s, otherwise the MIC2844A may continue to start up at the full (default) brightness level.

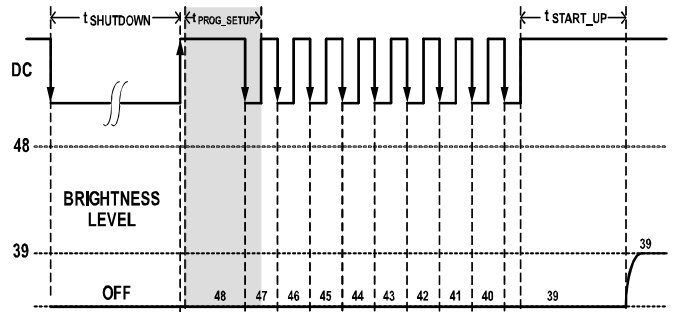
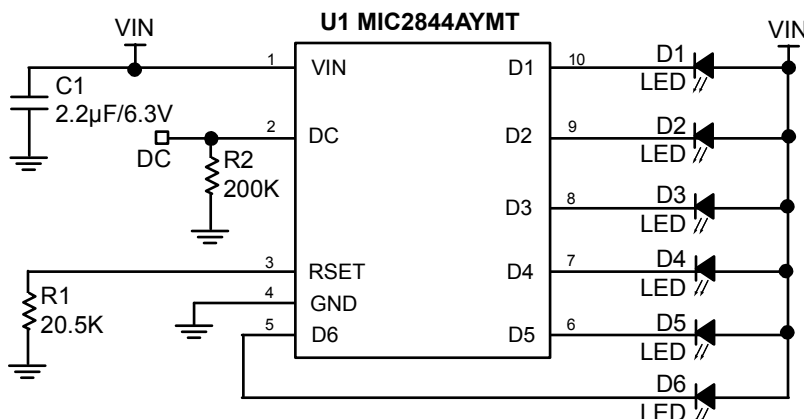


Figure 16. Presetting Timing

Figure 16 shows the correct presetting sequence to set the MIC2844A brightness to level 39 prior to start up. Notice that when using the presetting feature the first programming pulse is not ignored. This is because the counter’s default mode is Count Down and a Mode Change cannot be performed in the presetting mode. (Note that the  $t_{PROG\_HIGH}$  and  $t_{PROG\_LOW}$  pulse width must still be between 2 $\mu$ s to 32 $\mu$ s.)

## Typical Application



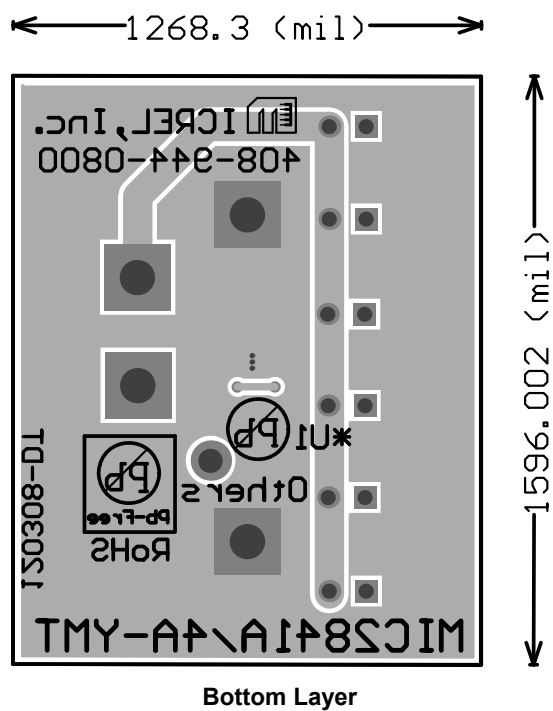
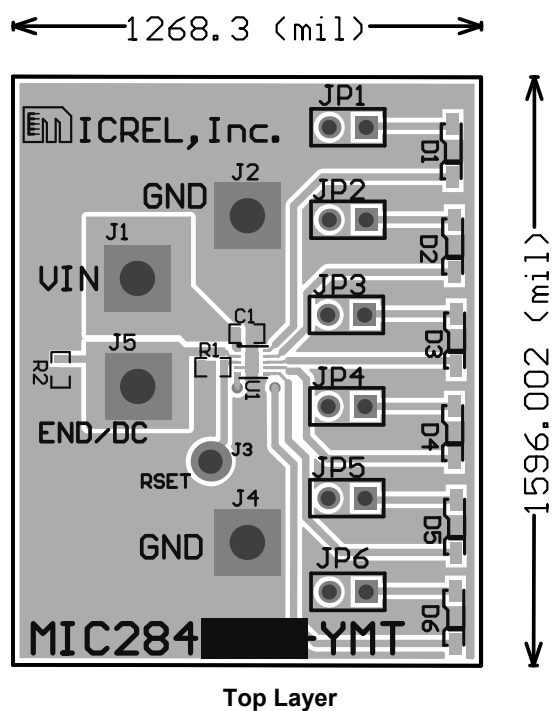
## Bill of Materials

| Item    | Part Number        | Manufacturer                       | Description   | Qty.     |
|---------|--------------------|------------------------------------|---|----------|
| C1      | C1608X5R0J225K     | TDK <sup>(1)</sup>                 | Ceramic Capacitor, 2.2µF, 6.3V, X5R, Size 0603                                | 1        |
|         | 06036D225KAT2A     | AVX <sup>(2)</sup>                 |   |          |
|         | GRM188R60J225KE19D | Murata <sup>(3)</sup>              |   |          |
|         | VJ0603G225KXYAT    | Vishay <sup>(4)</sup>              |   |          |
| D1 – D6 | SWTS1007           | Seoul Semiconductor <sup>(5)</sup> | WLED  | 6        |
|         | 99-116UNC          | EverLight <sup>(6)</sup>           |   |          |
| R1      | CRCW060320K5F5EA   | Vishay <sup>(4)</sup>              | Resistor, 20.5k, 1%, 1/16W, Size 0603   | 1        |
| R2      | CRCW06032003FKEA   | Vishay <sup>(4)</sup>              | Resistor, 200k, 1%, 1/16W, Size 0603  | 1        |
| U1      | <b>MIC2844AYMT</b> | <b>Micrel, Inc.<sup>(7)</sup></b>  | <b>High Efficiency 6 Channel WLED Driver with Single Wire Digital Control</b> | <b>1</b> |

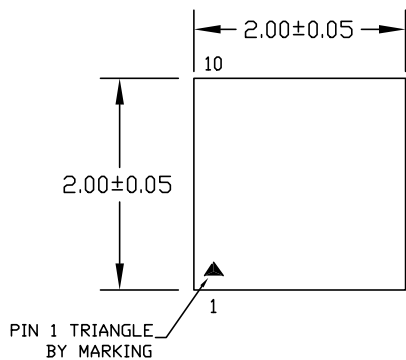
**Notes:**

1. TDK: [www.tdk.com](http://www.tdk.com)
2. AVX: [www.avx.com](http://www.avx.com)
3. Murata: [www.murata.com](http://www.murata.com)
4. Vishay: [www.vishay.com](http://www.vishay.com)
5. Seoul Semiconductor: [www.seoulsemicon.com](http://www.seoulsemicon.com)
6. EverLight: [www.everlight.com](http://www.everlight.com)
7. **Micrel, Inc.:** [www.micrel.com](http://www.micrel.com)

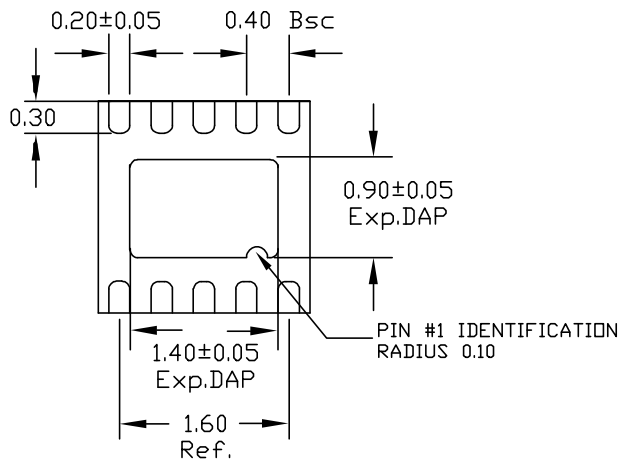
### PCB Layout Recommendations



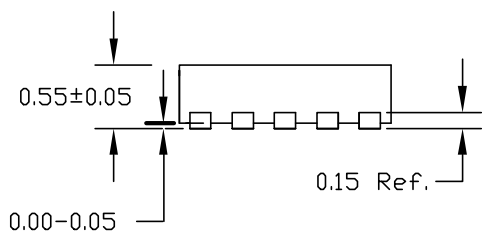
**Package Information**



TOP VIEW



BOTTOM VIEW



SIDE VIEW

- NOTE:
1. ALL DIMENSIONS ARE IN MILLIMETERS.
  2. MAX. PACKAGE WARPAGE IS 0.08 mm.
  3. MAXIMUM ALLOWABLE BURRS IS 0.08 mm IN ALL DIRECTIONS.
  4. PIN #1 ID WILL BE LASER MARKED.

**10-Pin (2mm x 2mm) Thin MLF® (MT)**

**MICREL, INC. 2180 FORTUNE DRIVE SAN JOSE, CA 95131 USA**  
 TEL +1 (408) 944-0800 FAX +1 (408) 474-1000 WEB <http://www.micrel.com>

The information furnished by Micrel in this data sheet is believed to be accurate and reliable. However, no responsibility is assumed by Micrel for its use. Micrel reserves the right to change circuitry and specifications at any time without notification to the customer.

Micrel Products are not designed or authorized for use as components in life support appliances, devices or systems where malfunction of a product can reasonably be expected to result in personal injury. Life support devices or systems are devices or systems that (a) are intended for surgical implant into the body or (b) support or sustain life, and whose failure to perform can be reasonably expected to result in a significant injury to the user. A Purchaser's use or sale of Micrel Products for use in life support appliances, devices or systems is a Purchaser's own risk and Purchaser agrees to fully indemnify Micrel for any damages resulting from such use or sale.

© 2009 Micrel, Incorporated.