

1

2

3

4

5

6

7

A

A

B

B

C

C

D

D

E

E

F

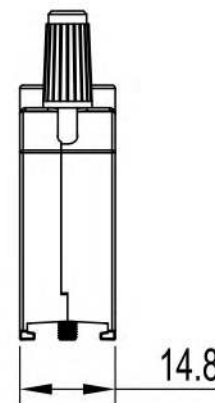
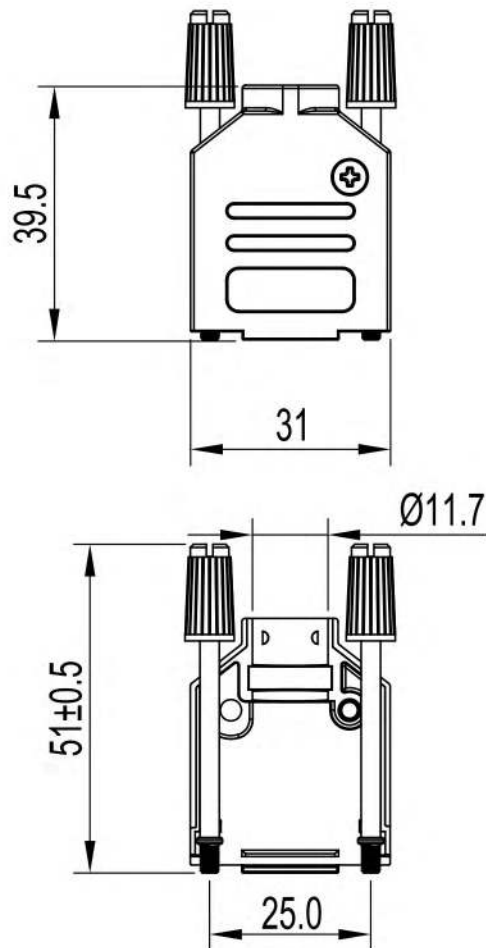
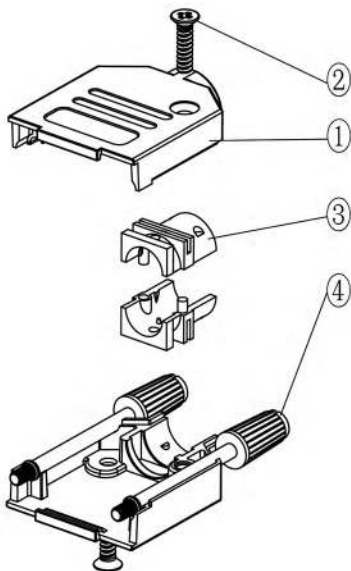
F

G

G

H

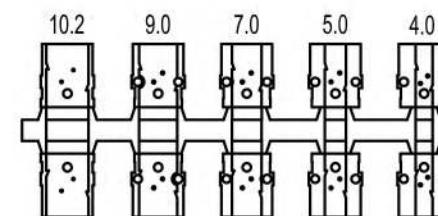
H



TECHNICAL SPECIFICATIONS

Material: Zinc
 Plating: Nickel
 Operating Temperature: -25°C to +90°C
 Thumbscrews: UNC 4-40

No. of contacts: 09-15-25-37-50



Grommet Set

Item	QTY	Part description
1	1	Hood halves
2	1	CSK M3x12 Screw
3	1	Grommet Set
4	2	Thumbscrews UNC4-40x51

RoHS compliant
 Unit: mm

Scale	Free				Date	Name	Customer-No.	
TOLERANCE					Drawn	17.08.2017	S.Bölling	
0~6	±0.10				Approved	17.08.2017	S.Bölling	
6~30	±0.20							
30~120	±0.30							
120~400	±0.50							
DIM	Tol							
Angle	±1°	Ⓢ	Drawn	17.08.2017				S.Bölling
Angle	Tol	ld.	Modification	Date				Name

Customer-No.
 ASSMANN WSW-No.
ACOV-SUB-09MB41

Drawing-No.
ASS_5282_CO rev00
 Replace
 Sheet 1/5

1

2

3

4

5

6

7

SV4382

1

2

3

4

5

6

7

A

A

B

B

C

C

D

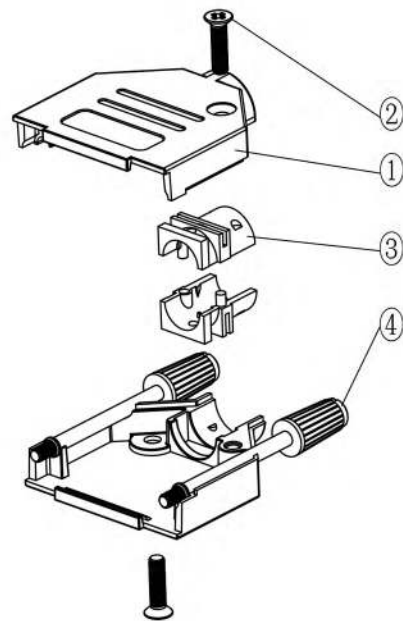
D

E

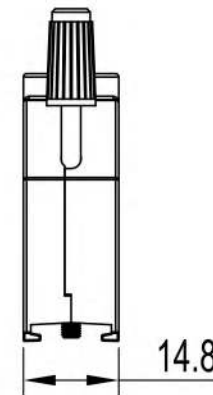
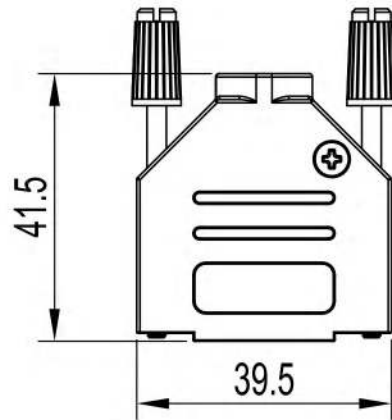
E

F

F



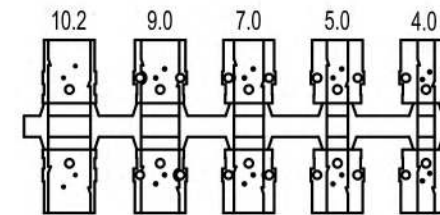
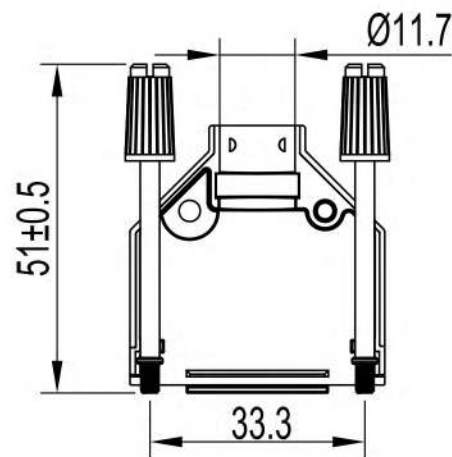
Item	QTY	Part description
1	1	Hood halves
2	1	CSK M3x12 Screw
3	1	Grommet Set
4	2	Thumbscrews UNC4-40x51



TECHNICAL SPECIFICATIONS

Material: Zinc
 Plating: Nickel
 Operating Temperature: -25°C to +90°C
 Thumbscrews: UNC 4-40

No. of contacts: 09-15-25-37-50



Grommet Set

RoHS compliant
 Unit: mm

Scale	Free				Date	Name	Customer-No.	
TOLERANCE					Drawn	17.08.2017	S.Bölling	
0~6	±0.10				Approved	17.08.2017	S.Bölling	
6~30	±0.20							
30~120	±0.30							
120~400	±0.50							
DIM	Tol							
Angle	±1°	©	Drawn	17.08.2017				S.Bölling
Angle	Tol	Id.	Modification	Date				Name

Customer-No.
 ASSMANN WSW-No.
ACOV-SUB-15MB41

Drawing-No.
ASS_5282_CO rev00
 Replace
 Sheet 2/5

1

2

3

4

5

6

7

SV4382

1

2

3

4

5

6

7

A

B

C

D

E

F

G

H

A

B

C

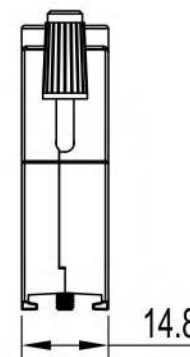
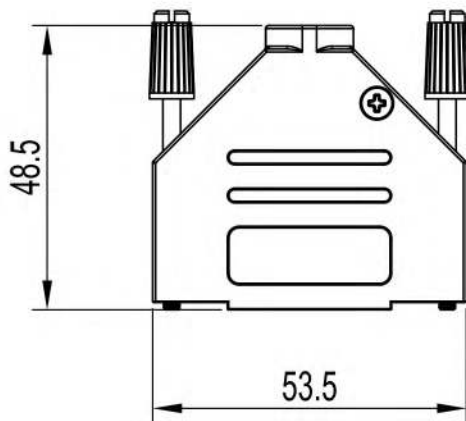
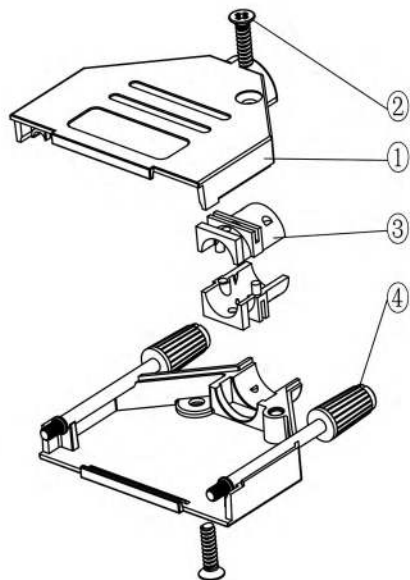
D

E

F

G

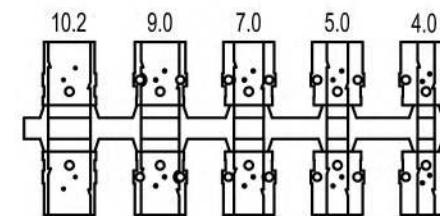
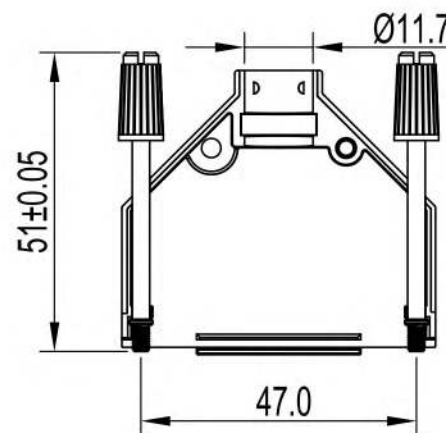
H



TECHNICAL SPECIFICATIONS

Material: Zinc
 Plating: Nickel
 Operating Temperature: -25°C to +90°C
 Thumbscrews: UNC 4-40

No. of contacts: 09-15-25-37-50



Grommet Set

Item	QTY	Part description
1	1	Hood halves
2	1	CSK M3x12 Screw
3	1	Grommet Set
4	2	Thumbscrews UNC4-40x51

RoHS compliant

Unit: mm

Scale	Free				Date	Name	Customer-No.	
TOLERANCE					Drawn	17.08.2017	S.Bölling	
0~6	±0.10				Approved	17.08.2017	S.Bölling	
6~30	±0.20							
30~120	±0.30							
120~400	±0.50							
DIM	Tol							
Angle	±1°	Ⓢ	Drawn	17.08.2017				S.Bölling
Angle	Tol	Id.	Modification	Date				Name

Customer-No.
 ASSMANN WSW-No.
ACOV-SUB-25MB41

Drawing-No.
ASS_5282_CO rev00
 Replace
 Sheet 3/5

1

2

3

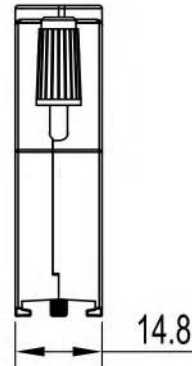
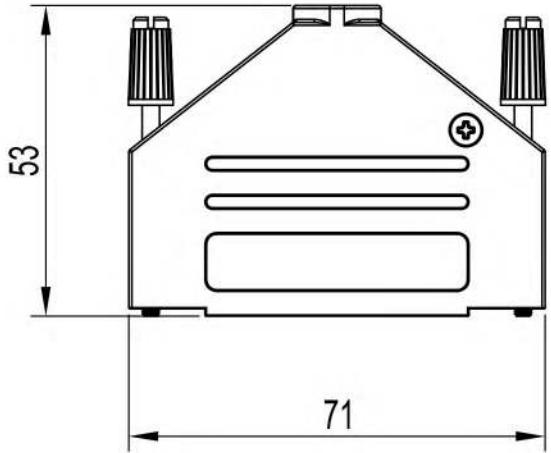
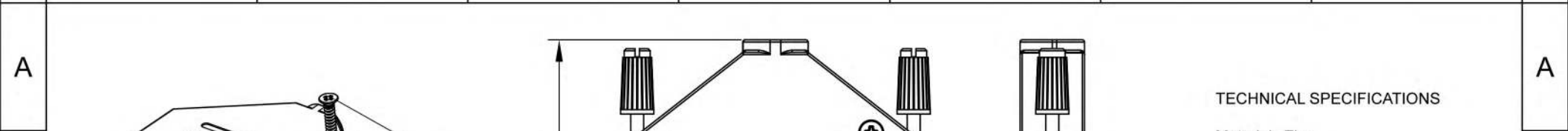
4

5

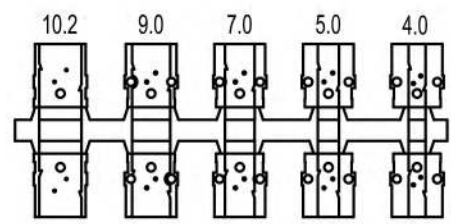
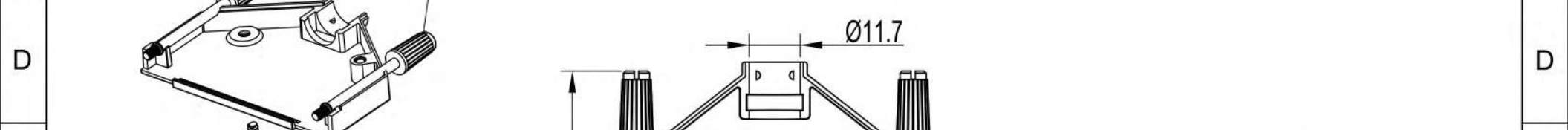
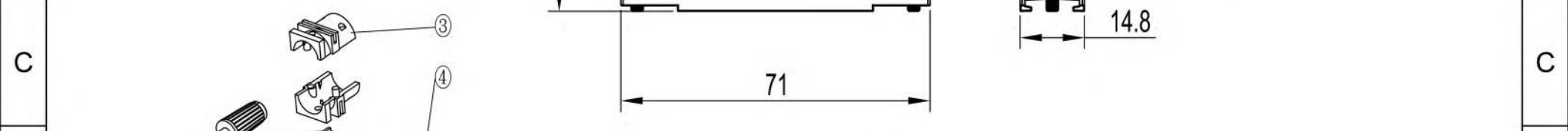
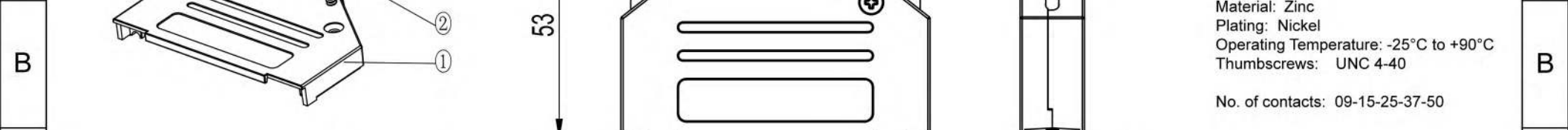
6

7

1 2 3 4 5 6 7

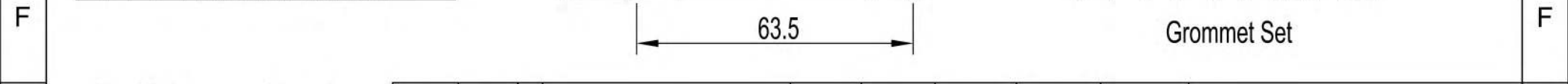


TECHNICAL SPECIFICATIONS
 Material: Zinc
 Plating: Nickel
 Operating Temperature: -25°C to +90°C
 Thumbscrews: UNC 4-40
 No. of contacts: 09-15-25-37-50



Grommet Set

Item	QTY	Part description
1	1	Hood halves
2	1	CSK M3x12 Screw
3	1	Grommet Set
4	2	Thumbscrews UNC4-40x51



RoHS compliant
 Unit: mm

Scale	Free					Date	Name	Customer-No.
TOLERANCE						Drawn	17.08.2017	S.Bölling
0~6	±0.10					Approved	17.08.2017	S.Bölling
6~30	±0.20							
30~120	±0.30							
120~400	±0.50							
DIM	Tol							
Angle	±1°	Ⓞ	Drawn	17.08.2017	S.Bölling			
Angle	Tol	Id.	Modification	Date	Name			



Customer-No.		
ASSMANN WSW-No.		ACOVSUB-37MB41
Drawing-No.	ASS_5282_CO	rev00
Replace		Sheet 4/5

1 2 3 4 5 6 7 SV4382

1

2

3

4

5

6

7

A

B

C

D

E

F

G

H

A

B

C

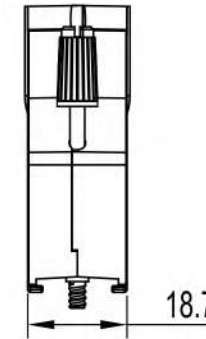
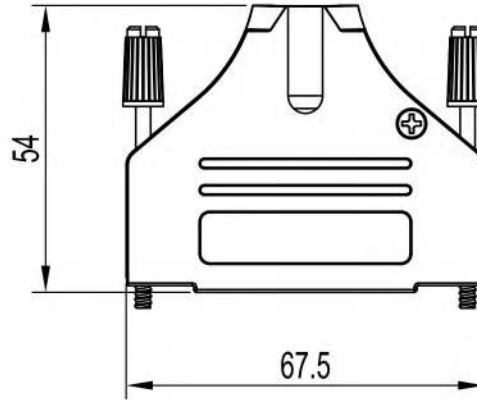
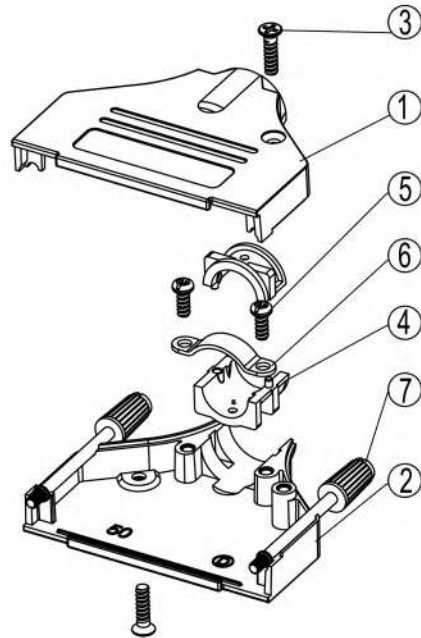
D

E

F

G

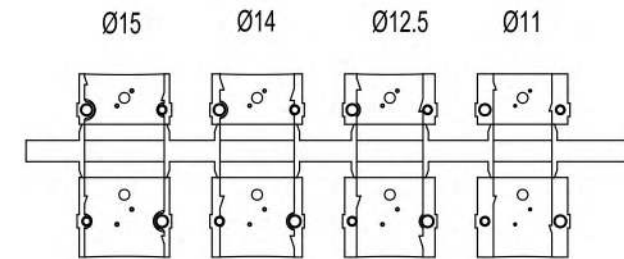
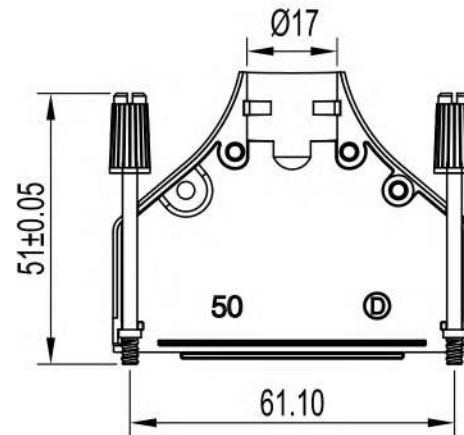
H



TECHNICAL SPECIFICATIONS

Material: Zinc
 Plating: Nickel
 Operating Temperature: -25°C to +90°C
 Thumbscrews: UNC 4-40

No. of contacts: 09-15-25-37-50



Grommet Set

Item	QTY	Part description
1	1	Upper half
2	1	Lower half
3	2	CSK M3x12 Screw
4	1	Grommet Set
5	2	MCS M3x8 Screw
6	1	Cable clamp
7	2	Thumbscrews UNC4-40x51

RoHS compliant
 Unit: mm

Scale	Free				Date	Name	Customer-No.	
TOLERANCE					Drawn	17.08.2017	S.Bölling	
0~6	±0.10				Approved	17.08.2017	S.Bölling	
6~30	±0.20							
30~120	±0.30							
120~400	±0.50							
DIM	Tol							
Angle	±1°	Ⓢ	Drawn	17.08.2017				S.Bölling
Angle	Tol	Id.	Modification	Date				Name

Customer-No.
 ASSMANN WSW-No.
ACOV-SUB-50MB41

Drawing-No.
ASS_5282_CO rev00
 Replace Sheet 5/5

1

2

3

4

5

6

7

SV4382