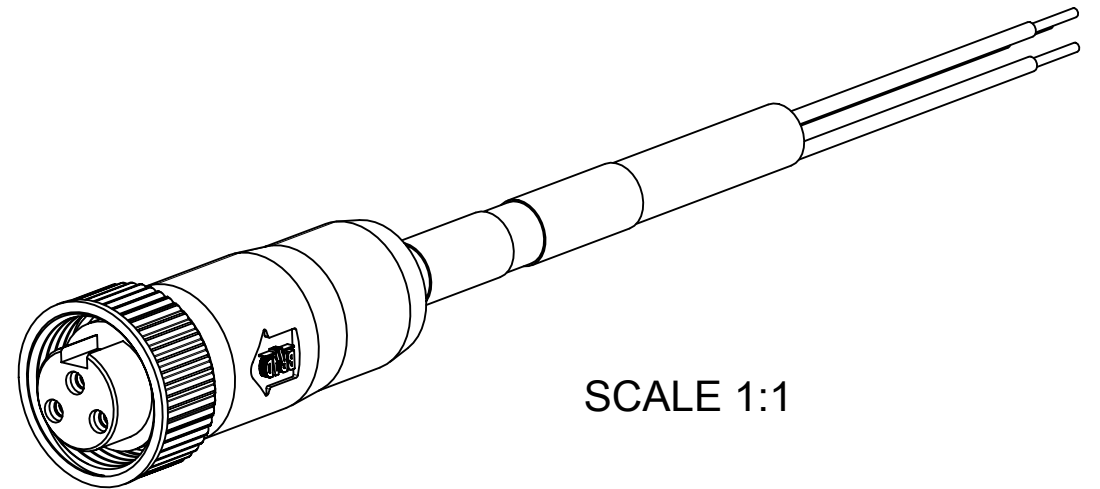
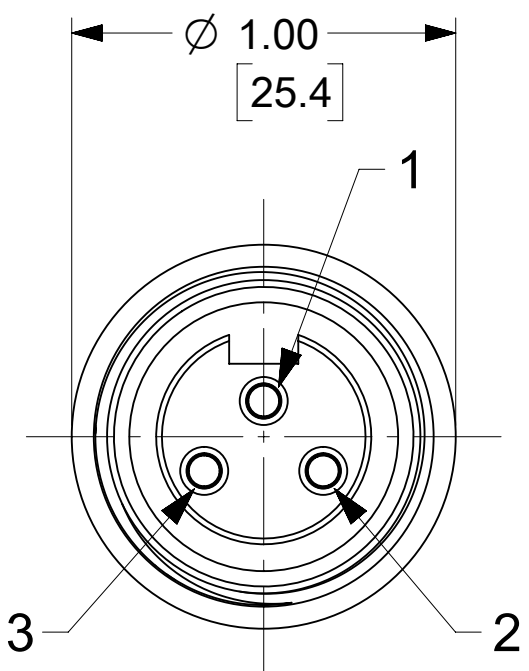


MATERIAL NO.	ENGINEERING NO.	FINISHED LENGTH
1300611029	103000K20M010E	3 FT 3 IN (1M)
1300611096	103000K20M050G	16 FT 4.9 IN (5M)
1300611033	103000K20M200E	65 FT 6 IN (20M)

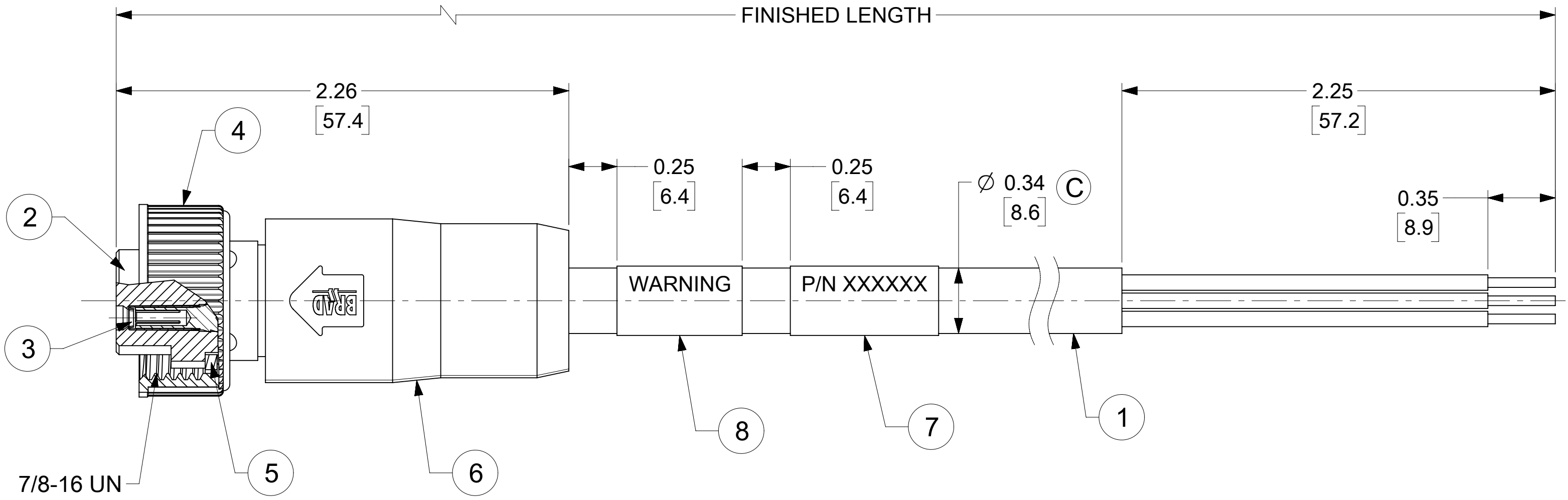
CABLE LENGTH TOLERANCES
 <.3M [1FT]: +19mm-0 [+ .75in-0]
 .3 - .9M [1 - 3FT]: +44.5mm-0 [+1.75in-0]
 .9 - 1.8M [3 - 6FT]: +55.6mm-0 [+2.19in-0]
 1.8 - 3.7M [6 - 12FT]: +88.9mm-0 [+3.50in-0]
 3.7 - 7.3M [12 - 24FT]: +165.1mm-0 [+6.50in-0]
 7.3-14.6M [24 - 48FT]: +317.5mm-0 [+12.50in-0]
 14.6 - 30.5M [48-100FT]: +622.3mm-0 [+24.50in-0]
 OVER 30M [100FT] +2% OF FINISHED LENGTH



SCALE 1:1



FEMALE FACE VIEW



- NOTES:**
1. MATERIAL: AS NOTED
 2. FINISH: AS NOTED
 3. ELECTRICAL:
 VOLTAGE: 500V PER IEC60664
 600V PER UL2237
 CURRENT: 15A
 4. TEMP RATING: -20°C TO +90°C
 5. PROTECTION: IP67 (WHEN MATED)
 6. UL LISTED FILE: 258922
 7. ALL DIMS ARE FOR REFERENCE UNLESS TOLERANCED OR NOTED OTHERWISE

WIRING DIAGRAM

S1	
1	GREEN/YELLOW
2	BLACK
3	WHITE

PART NUMBER LEGEND

103000K20M010E

OVERMOLD
 E=RED
 G=BLACK
 FINISHED LENGTH
 M001 = 0.1 METER
 M010 = 1 METERS
 M100 = 10 METERS

ITEM	DESCRIPTION	MATERIAL	FINISH
8	WARNING LABEL	VINYL	BLACK/ORANGE
7	WRAP LABEL	VINYL	BLACK/YELLOW
6	OVERMOLD	TPE	BLACK
5	FRICITION RING	NYLON	WHITE
4	COUPLING NUT	ZINC DIE-CAST	BLACK E-COAT
3	SOCKET CONTACT	Cu ALLOY	GOLD PLATED
2	FEMALE INSERT	TPE	BLACK
1	CABLE, 14 AWG TC-ER	TPE	BLACK

FUNCTIONAL SYMBOLS	THIS DRAWING CONTAINS INFORMATION THAT IS PROPRIETARY TO MOLEX ELECTRONIC TECHNOLOGIES, LLC AND SHOULD NOT BE USED WITHOUT WRITTEN PERMISSION			
	DIMENSION UNITS	SCALE	CURRENT REV DESC: ITEM #2 & 6 WERE PVC, MODIFIED MATERIAL TABLE & ADDED CABLE DIA.	
	INCH/MM	2:1		
	GENERAL TOLERANCES (UNLESS SPECIFIED)			
DIVISIONAL SYMBOLS	4 PLACES	±	MM	INCH
	3 PLACES	±		
	2 PLACES	±		
	1 PLACE	±		
0 PLACES	±			
ANGULAR TOL		± °		
DRAFT WHERE APPLICABLE MUST REMAIN WITHIN DIMENSIONS		THIRD ANGLE PROJECTION	DRAWING	SERIES
			C-SIZE	130061

EC NO: 709714			
DRWN: VHANDI	2020/05/13		
CHK'D: RSTONE	2022/06/08		
APPR: BWOODMAN	2022/06/14		
INITIAL REVISION:			
DRWN: RSTONE	2015/11/09		
APPR: BWOODMAN	2015/12/04		
DOCUMENT NUMBER		DOC TYPE	DOC PART
SD-130061-032		PSD	001
MATERIAL NUMBER		CUSTOMER	SHEET NUMBER
SEE TABLE		GENERAL MARKET	1 OF 1