

UM 45-FLK14/LA/ZFKDS/PLC - Passive module



2965334

<https://www.phoenixcontact.com/us/products/2965334>

Please be informed that the data shown in this PDF document is generated from our online catalog. Please find the complete data in the user documentation. Our general terms of use for downloads are valid.



VARIOFACE COMPACT LINE, interface module for 8 channels, with LED, for assembly on DIN rail NS 35/7.5, spring-cage connection

Your advantages

- Byte-by-byte labeling
- Can be used for digital I/O modules

Commercial data

Item number	2965334
Packing unit	1 pc
Minimum order quantity	1 pc
Note	Made to order (non-returnable)
Sales key	C421
Product key	CK2161
Catalog page	Page 253 (IF-2011)
GTIN	4017918126339
Weight per piece (including packing)	84.1 g
Weight per piece (excluding packing)	45.55 g
Customs tariff number	85369010
Country of origin	DE

UM 45-FLK14/LA/ZFKDS/PLC - Passive module



2965334

<https://www.phoenixcontact.com/us/products/2965334>

Technical data

Notes

General	For proper use, the specifications of the installation directive (see Downloads) must be observed.
---------	--

Product properties

Product type	Interface module
Number of positions	14
No. of channels	8

Insulation characteristics

Insulation	Functional insulation
------------	-----------------------

Insulation characteristics

Insulation	Functional insulation
Overvoltage category	II
Pollution degree	2

Electrical properties

No. of channels	8
Nominal voltage U_N	30 V DC
Max. current carrying capacity per branch	1 A
Max. total current of voltage supply	3 A
Rated insulation voltage	63 V
Rated surge voltage	0.6 kV

Supported controller ABB S800 I/O

Suitable I/O card	DI810
	DI818
	DI830
	DI840
	DO810
	DO840

Supported controller ALLEN-BRADLEY ControlLogix

Suitable I/O card	1756-IB32
	1756-OB32
	1756-IB16
	1756-OB16E

Supported controller ALLEN-BRADLEY PLC 5

Suitable I/O card	1771 IBN
	1771 OBN

Supported controller ALLEN-BRADLEY SLC 500

UM 45-FLK14/LA/ZFKDS/PLC - Passive module



2965334

<https://www.phoenixcontact.com/us/products/2965334>

Suitable I/O card	1746 OB16
	1746 IB16
	1746 ITB16
	1746 IN16
	1746 OB 32
	1746 IB 32

Supported controller GE-FANUC 90-30

Suitable I/O card	IC693 MDL241
	IC693 MDL634
	IC693 MDL645
	IC693 MDL646
	IC693 MDL732
	IC693 MDL740
	IC693 MDL742

Supported controller GE-FANUC RX3i

Suitable I/O card	IC694MDL754
	IC694MDL660

Supported controller HONEYWELL Experion PKS C200

Suitable I/O card	TC-IDD 321
	TC-ODD 321

Supported controller MITSUBISHI MELSEC L

Suitable I/O card	LX41C4
	LX42C4
	LY41NT1P
	LY42NT1P
	LY41PT1P
	LY42PT1P

Supported controller MITSUBISHI MELSEC Q

Suitable I/O card	QX81
	QY81P
	QX41
	QX41-S1
	QX42
	QX42-S1
	QY41P
	QY42P
	QH42P
	QX82
	QX82-S1
	QY82P

Supported controller SCHNEIDER ELECTRIC Modicon TSX QUANTUM

UM 45-FLK14/LA/ZFKDS/PLC - Passive module



2965334

<https://www.phoenixcontact.com/us/products/2965334>

Suitable I/O card	DDI 353
	DDI 853
	DDO 353

Supported controller SIEMENS S7-300 / ET 200 M

Suitable I/O card	CPU 313C-2DP
	CPU 314C-2DP
	CPU 314C-2PtP
	6ES7321-1BH02-0AA0
	6ES7321-1BL00-0AA0
	6ES7322-1BH01-0AA0
	6ES7322-1BL00-0AA0
	6ES7323-1BH01-0AA0
	6ES7323-1BL00-0AA0
	6ES7321-1BH10-0AA0
	6ES7322-1BH10-0AA0
	CPU 313C
	CPU 313C-2PtP

Supported controller SIEMENS S7-400

Suitable I/O card	6ES7421-1BL01-0AA0
	6ES7422-1BL00-0AA0
	6ES7422-7BL00-0AB0

Connection data

Field level

Connection method	Spring-cage connection
Stripping length	8 mm
Conductor cross section rigid	0.2 mm ² ... 2.5 mm ²
Conductor cross section flexible	0.2 mm ² ... 1.5 mm ²
Conductor cross section AWG	24 ... 14

Controller level

Connection method	IDC/FLK pin strip
Number of connections	1
Number of positions	14
Pitch	2.54 mm

Signaling

Status display	LED
Status display present	Yes

Dimensions

Width	59 mm
Height	45 mm

UM 45-FLK14/LA/ZFKDS/PLC - Passive module



2965334

<https://www.phoenixcontact.com/us/products/2965334>

Depth	50 mm
-------	-------

Material specifications

Housing insulation material	PVC
-----------------------------	-----

Environmental and real-life conditions

Ambient conditions

Degree of protection	IP00
Ambient temperature (operation)	-20 °C ... 50 °C
Ambient temperature (storage/transport)	-20 °C ... 70 °C

Standards and regulations

Standards/regulations	IEC 60664
	DIN EN 50178

Mounting

Mounting type	DIN rail mounting
Mounting position	any

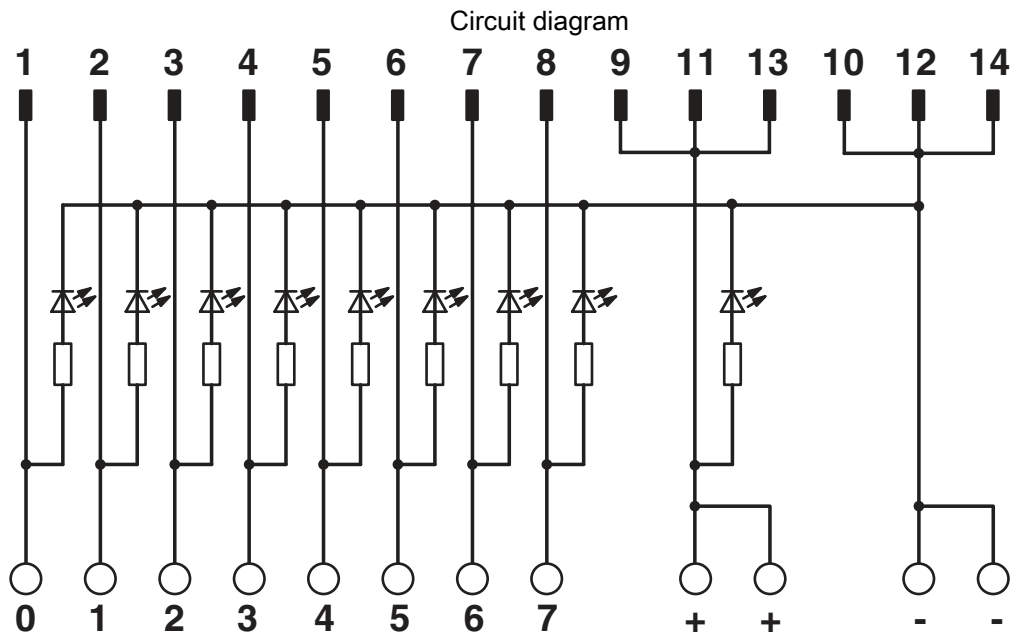
UM 45-FLK14/LA/ZFKDS/PLC - Passive module



2965334

<https://www.phoenixcontact.com/us/products/2965334>

Drawings



UM 45-FLK14/LA/ZFKDS/PLC - Passive module



2965334

<https://www.phoenixcontact.com/us/products/2965334>

Classifications

ECLASS

ECLASS-11.0

27141152

ETIM

ETIM 7.0

EC002780

UNSPSC

UNSPSC 21.0

39121432

UM 45-FLK14/LA/ZFKDS/PLC - Passive module



2965334

<https://www.phoenixcontact.com/us/products/2965334>

Environmental product compliance

China RoHS	Environmentally Friendly Use Period = 50 years For information on hazardous substances, refer to the manufacturer's declaration available under "Downloads"
------------	--

Phoenix Contact 2023 © - all rights reserved
<https://www.phoenixcontact.com>

Phoenix Contact USA
586 Fulling Mill Road
Middletown, PA 17057, United States
(+717) 944-1300
info@phoenixcon.com