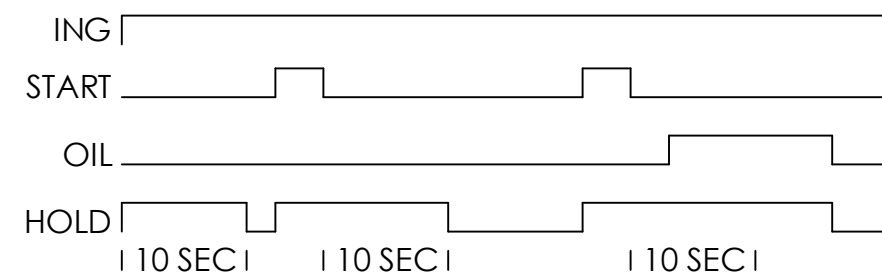
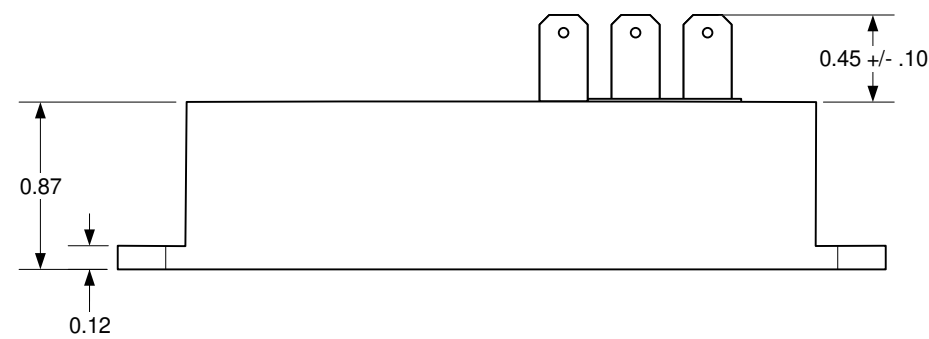
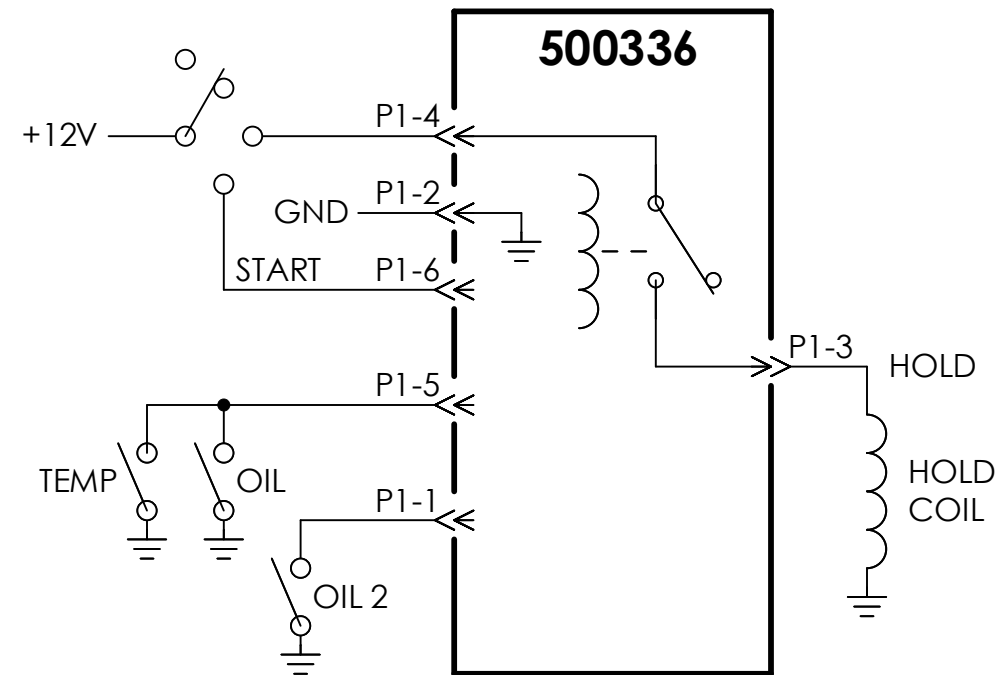
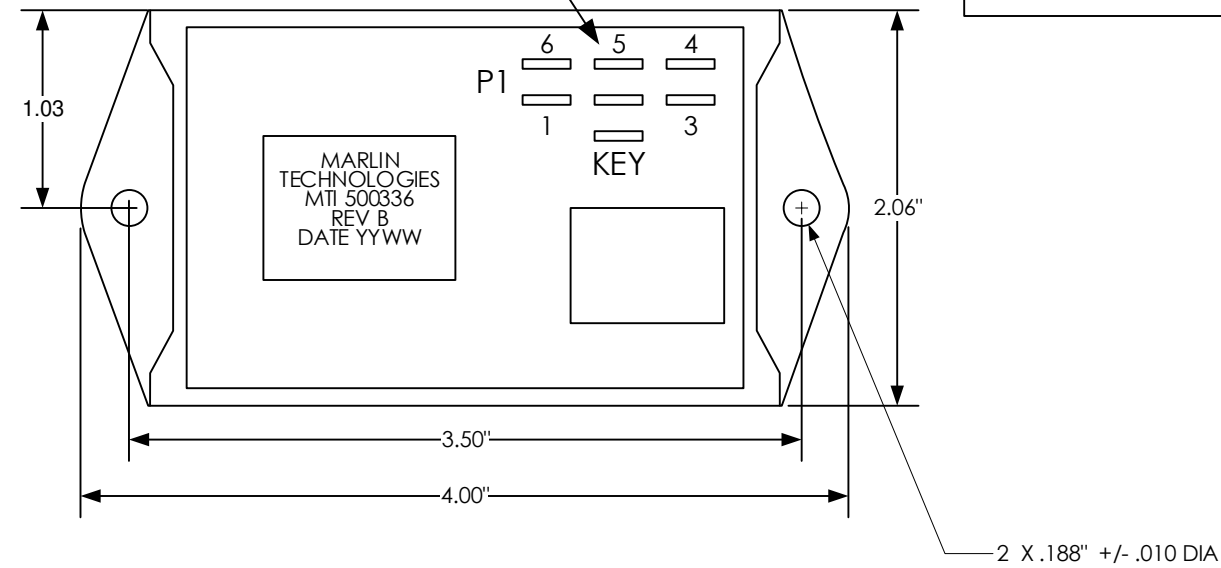


REVISIONS				
REV	DATE	ECN	DESCRIPTION	APVD
A	06-15-98	2651E	RELEASE TO PRODUCTION	CAG
B	09-20-13	10328E	BOX HGT .87 WAS .50, REDRAWN	SMJ

MARLIN TECHNOLOGIES
MTI 500336
REV B
DATE YYWW

PRODUCT LABEL
REV=BOM REVISION
LABEL DATE CODE:
YY=YEAR OF MANUFACTURE
WW=WEEK OF MANUFACTURE

MATES WITH YAZAKI
7123-2262



UNCONTROLLED DOCUMENT

THE INFORMATION CONTAINED ON THIS DRAWING IS PROPRIETARY AND CONFIDENTIAL TO MARLIN TECHNOLOGIES INC. UNAUTHORIZED USE OR DISTRIBUTION WITHOUT CONSENT IS PROHIBITED.

UNLESS OTHERWISE SPECIFIED, DIMENSIONS ARE IN INCHES AND TOLERANCES ARE			MARLIN TECHNOLOGIES INC.	
TWO PLACE DECIMAL +/- .05	THREE PLACE DECIMAL +/- .020	ANGLES +/-	TITLE OUTLINE, 500336 10 SEC HOLD COIL DELAY	
DO NOT SCALE DRAWING			SIZE B	REV B
CHECKED J SIMON	DATE 06-16-98	DRAWING NUMBER 002647	TYPE O	REV B
APPROVED J WILLIAMS	DATE 06-16-98	DRAWN STASZAK	DATE 06-15-98	SHEET 1 OF 1