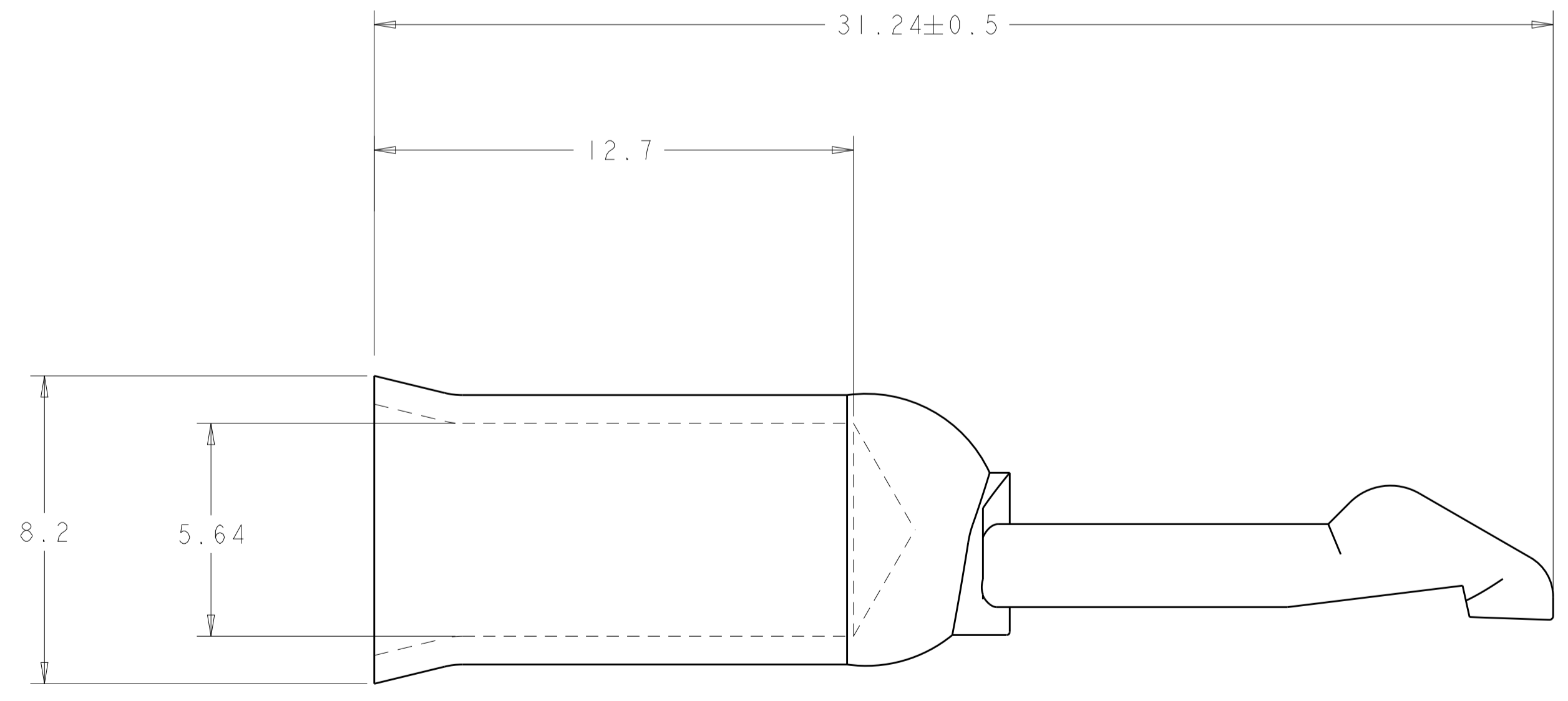
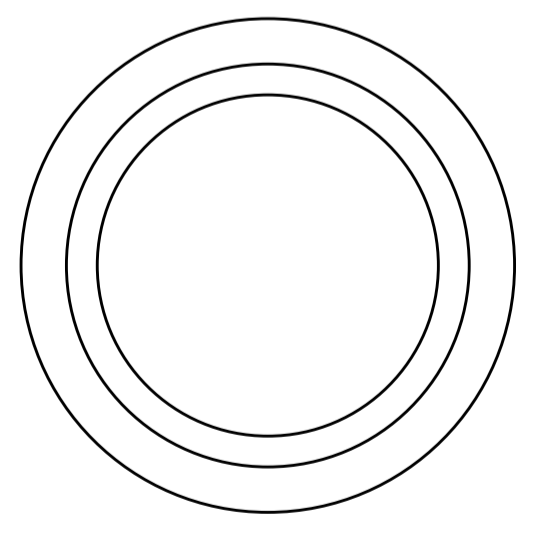
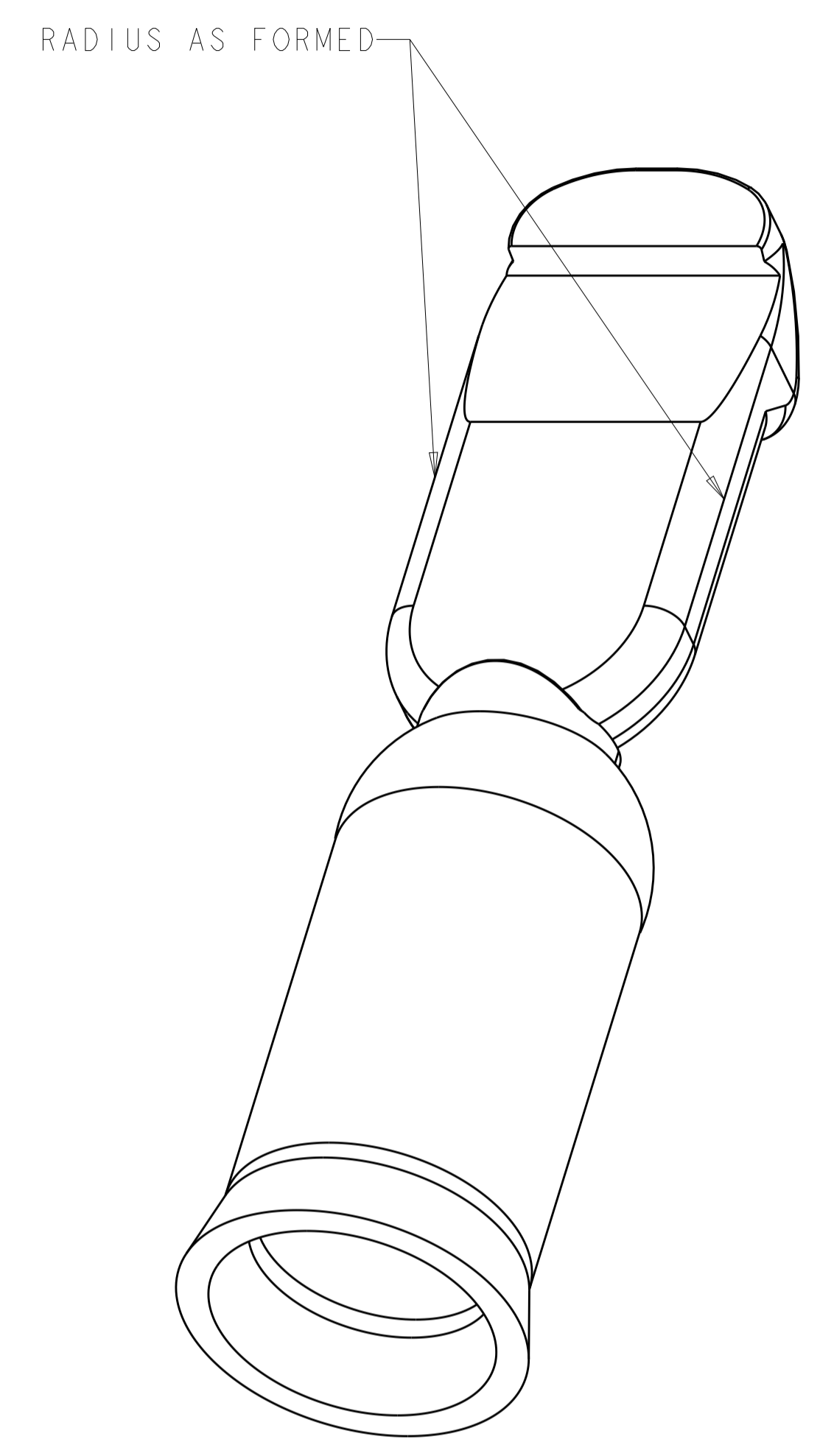
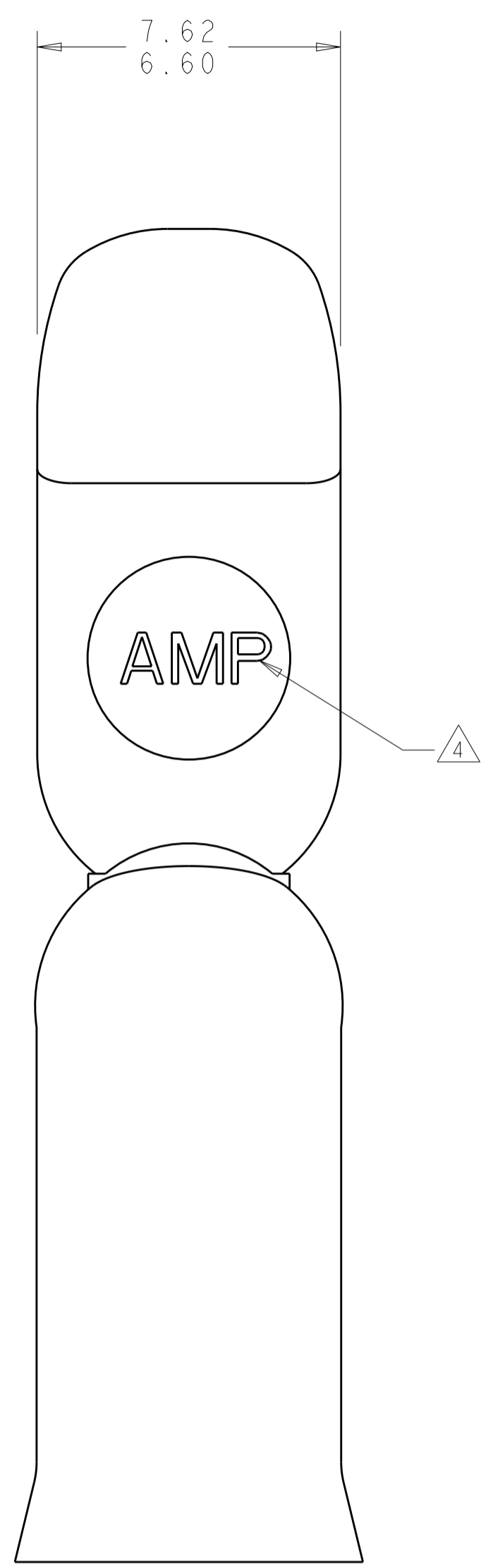


LOC	DIST	REVISIONS					
		P	LTN	DESCRIPTION	DATE	DMN	APVD
CM	00	A		REVISED PER 0G3B-0944-03	12-DEC-03	KW	JE
		B		ECO-08-008748	15APR2008	KW	SR
		B1		REVISED PER ECO-08-018053	23JUL2008	HMR	SR
		C		REVISED PER ECR-18-000415	19JAN2018	RS	SZ



1. MATERIAL: COPPER
 2. PLATING: SILVER
 3. THIS PRODUCT HAS PASSED VERIFICATION AND AGENCY APPROVALS TESTING AND IS COMPONENT RECOGNIZED PER UL 1977 AND CSA 22.2. TYCO ELECTRONICS PRODUCT QUALIFICATION TESTING IS NOT YET COMPLETE.
- △ STAMP MARK MAY BE ROTATED

METRIC

647877-1
PART NO

<small>THIS DRAWING IS UNPUBLISHED. RELEASED FOR PUBLICATION. THIS IS THE PROPERTY OF TYCO ELECTRONICS CORPORATION. IT IS THE POLICY OF TYCO ELECTRONICS CORPORATION TO CONTROL THE DISTRIBUTION OF THIS DRAWING. IT IS TO BE KEPT IN CONFIDENTIALITY AND NOT TO BE REPRODUCED OR TRANSMITTED IN ANY FORM OR BY ANY MEANS, ELECTRONIC OR MECHANICAL, INCLUDING PHOTOCOPYING, RECORDING, OR BY ANY INFORMATION STORAGE AND RETRIEVAL SYSTEM. PERMISSION TO REPRODUCE THIS DRAWING IN WHOLE OR IN PART IS GRANTED BY TYCO ELECTRONICS CORPORATION TO THE USER OF THIS DRAWING. PERMISSION DOES NOT EXTEND TO OTHERS. CONTACT TYCO ELECTRONICS CORPORATION FOR MORE INFORMATION.</small>		DWN: SHANE WIESE CHK: RAK APVD: RAK DATE: 12JUN2001	Tyco Electronics Harrisburg, PA 17105-3608
DIMENSIONS: mm 0 PLC ± 1 PLC ± 2 PLC ±0.13 3 PLC ± 4 PLC ± ANGLES ±5 FINISH	TOLERANCES UNLESS OTHERWISE SPECIFIED: ± ±0.13 ± ±5	NAME: CONTACT, 6 AWG, AMP POWER SERIES 50 / 75 PRODUCT SPEC APPLICATION SPEC	SIZE: A1 CAGE CODE: 00779 DRAWING NO: 647877 RESTRICTED TO: C
MATERIAL: -	FINISH: -	WEIGHT: -	SCALE: 8:1 SHEET 1 OF 1 REV C
CUSTOMER DRAWING			