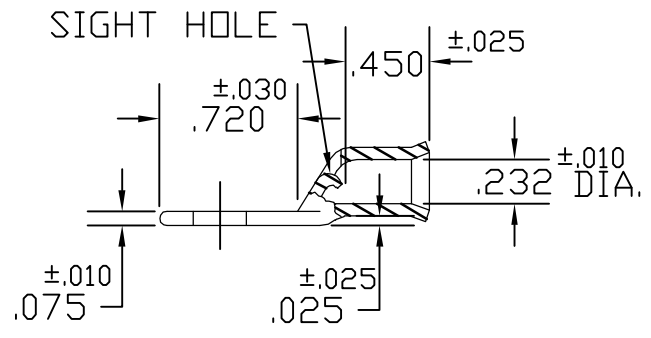
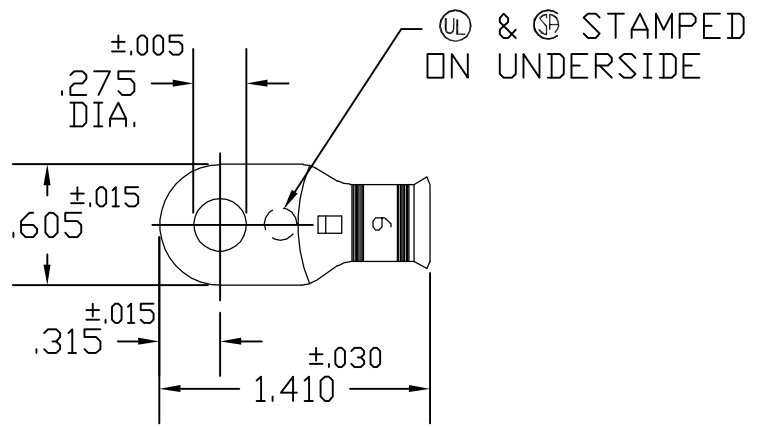


THIS DRAWING IS UNPUBLISHED. RELEASED FOR PUBLICATION  
 © COPYRIGHT BY TYCO ELECTRONICS CORPORATION. ALL RIGHTS RESERVED.

LOC	DIST	REVISIONS					
		P	LTR	DESCRIPTION	DATE	DWN	APVD
G	50		A1	REVISED PER ECR-06-013318	06JUN06	HMR	JR



COLOR CODED BLUE

ACTIVE	6142-60	STANDARD	COLOR CODED	1527126-3
STATUS	AET P/N	PACKAGING	FINISH	PART NUMBER

THIS DRAWING IS A CONTROLLED DOCUMENT.		DWN D.A.A 10/30/00	Tyco Electronics Corporation Harrisburg, PA 17105-3608		
DIMENSIONS: INCHES		CHK H.D.F 10/30/00			
		APVD H.D.F 10/30/00	PRODUCT SPEC -		RESTRICTED TO -
MATERIAL COPPER ASTM B-152		FINISH -	APPLICATION SPEC -	WEIGHT -	SIZE A3
CUSTOMER DRAWING			CAGE CODE 00779	DRAWING NO C-1527126	SCALE 1:1
				SHEET 1 OF 1	REV A1