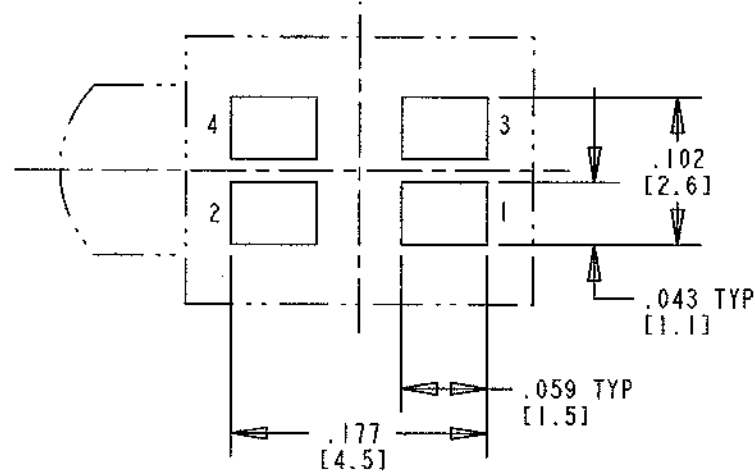


BI-COLOR OPERATING CHARACTERISTICS AT T _a = 25 °C AMBIENT																			
DIALIGHT P/N	COLOR	I _f (mA)	FORWARD VOLTAGE (V)		LUMINOUS INTENSITY (mcd)		REVERSE CURRENT (μA)		PEAK WAVELENGTH (nm)		DOMINANT WAVELENGTH (nm)		REVISIONS						
			TYP.	MAX.	MIN.	TYP.	MAX.	TYP.	MAX.	TYP.	MIN.	TYP.	MAX.	REV.	ECN.	DRN.	DATE		
591-3101-102SF	YELLOW GREEN	10	2.0	2.5	4.5	11.3	18.0	.01	10	586	572	584	570	596	576	A	---	SM	6-05-07
591-3101-107SF	YELLOW GREEN	10	2.0	2.5	4.5	11.3	18.0	.01	10	586	572	584	570	596	576	A	---	SM	6-05-07
591-3101-113SF	YELLOW GREEN	10	2.0	2.5	4.5	11.3	18.0	.01	10	586	572	584	570	596	576	A	---	SM	6-05-07

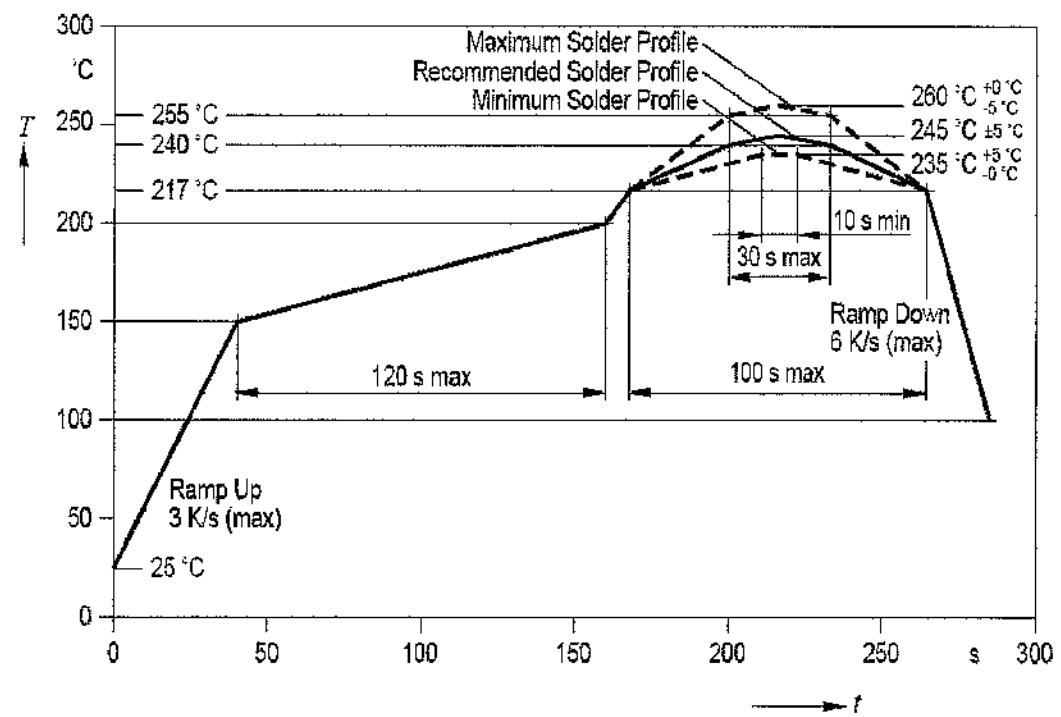
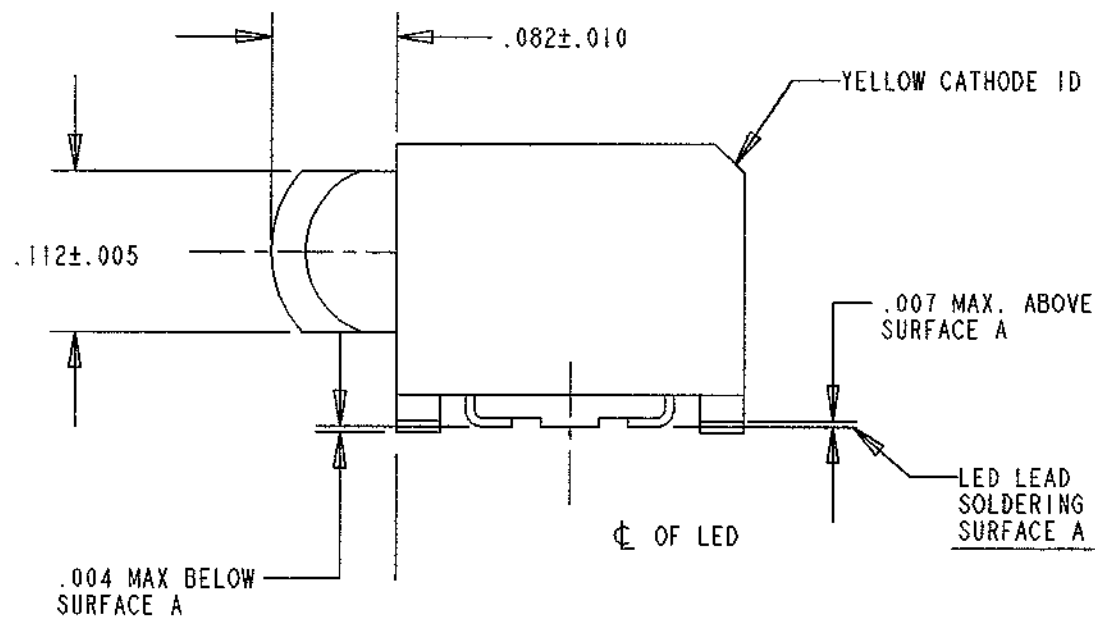
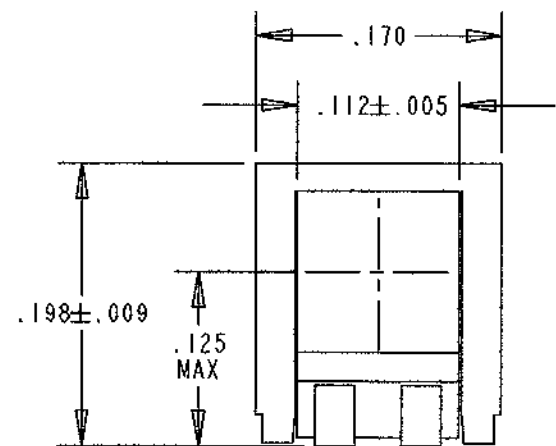
ABSOLUTE MAXIMUM RATING AT 25°C AMBIENT	591-3101-1XXSF			UNITS
	102SF YELLOW GREEN	107SF YELLOW GREEN	113SF YELLOW GREEN	
POWER CONSUMPTION	95			mW
CONTINUOUS FORWARD CURRENT	30			mA
REVERSE VOLTAGE	5			V
OPERATING TEMPERATURE	-40 TO +100			°C
STORAGE TEMPERATURE	-40 TO +100			°C



ATTENTION:
OBSERVE PRECAUTIONS FOR
HANDLING ELECTROSTATIC
SENSITIVE DEVICES



COMPONENT SIDE
RECOMMENDED PC BOARD LAND PATTERN
(DIM'S ± .004)



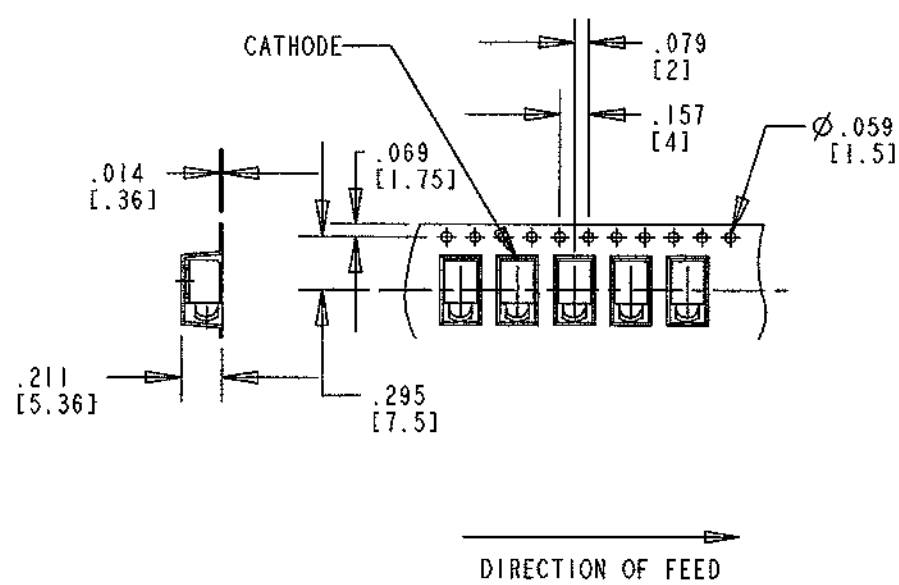
REFLOW PROFILE FOR RoHS COMPLIANT PART

NOTES:

- MILLIMETER DIMENSIONS SHOWN FOR REFERENCE ONLY.
- PAD NUMBERS FOR REFERENCE ONLY. DESIGNATION NON-EXISTENT ON PART.
- STORAGE CONDITIONS FOR TAPED PRODUCT: RE-TAPING MAY BE NECESSARY FOR PRODUCT STORED MORE THAN TWELVE MONTHS.
- LEADS: TIN (Sn) OVER NICKEL (Ni) ON COPPER ALLOY (Cu)
- ORDER QUANTITY IS LED ASSEMBLIES. NOT REELS.
- 102SF SUFFIX MEANS PARTS ARE PACKED ON A 20 PCS SAMPLE STRIP.
-107SF SUFFIX MEANS PARTS ARE PACKED ON 7 INCH REEL, 400 PCS/REEL.
-113SF SUFFIX MEANS PARTS ARE PACKED ON A 13 INCH REEL, 1600 PCS/REEL.
- LENS MOVEMENT IN RELATIONSHIP TO THE HOUSING IS:
.009" T.I.R. VERTICALLY.
.007" T.I.R. HORIZONTALLY.
- FRONT AND REAR TERMINALS OF ASSEMBLY TO BE WITHIN .005 COPLANARITY.
- DIALIGHT PART NUMBER: 591-3101-102SF, 591-3101-107SF, 591-3101-113SF.
- DEVICE HAS A MOISTURE SENSITIVITY LEVEL "2" CAUTION LABEL APPLIED AS PER JEDEC STD. 033.
- THIS ASSEMBLY CONTAINS ELECTROSTATIC DISCHARGE SENSITIVE DEVICES (ESDS). MAINTAIN ALL PRECAUTIONARY MEASURES DURING ASSEMBLY, HANDLING AND STORAGE IN ACCORDANCE WITH IPC-A-610.

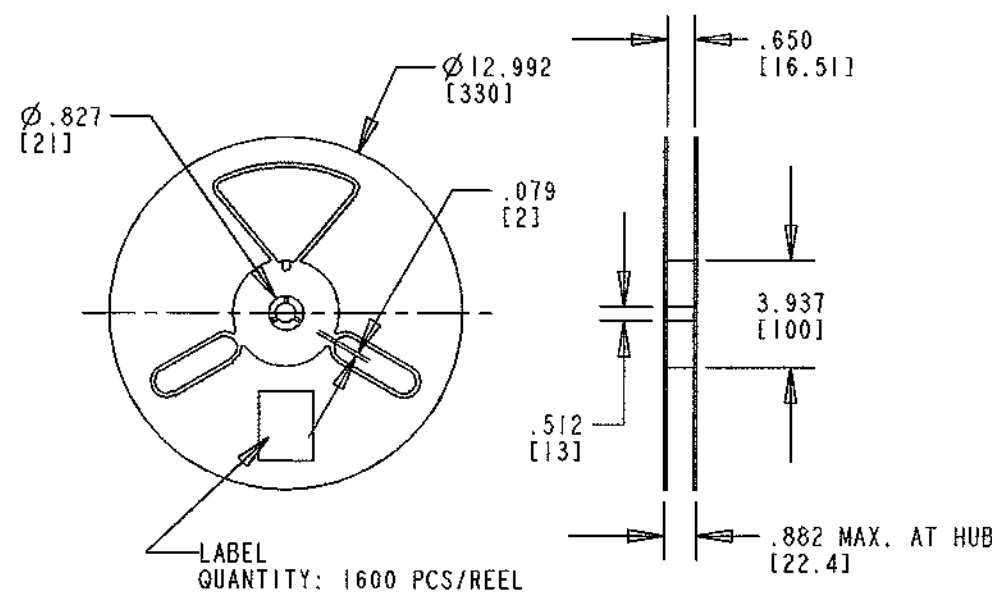
RoHS Compliant 591-3101-1XXSF Surface Mount LED
 Part Numbers with the "F" suffix ending are RoHS Compliant.
 Example: 591-3101-102SF
 Packaging is marked with "RoHS Compliant" label or equivalent markings.
 Parts can be reflow soldered per RoHS reflow profile, wave soldered, dip soldered or hand soldered using typical lead-free soldering process with max 260°C temp. for 10-20 sec.

TAPING SPECIFICATION

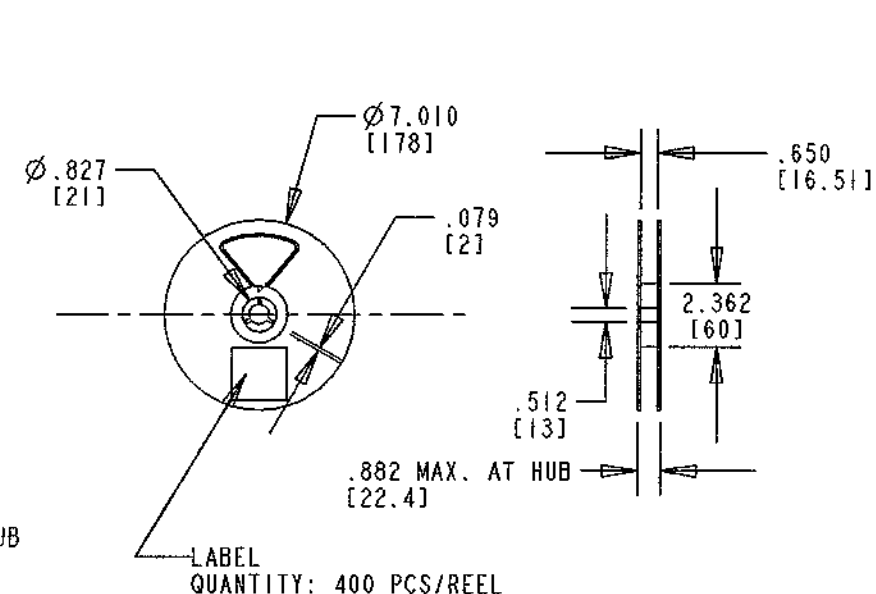


TOLERANCE: .004 UNLESS OTHERWISE SPECIFIED.
MILLIMETER DIMENSIONS SHOWN FOR REFERENCE ONLY.

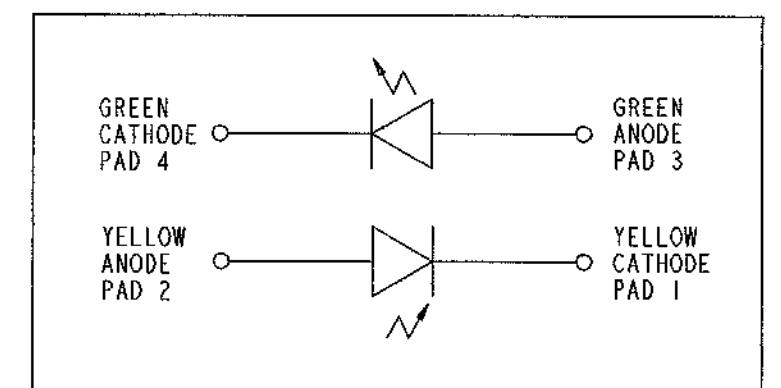
REEL SPECIFICATION



13 INCH DIA. REEL SPECIFICATIONS



7 INCH DIA. REEL SPECIFICATIONS



THIS DRAWING AND THE CONTENTS HEREIN ARE CONFIDENTIAL AND THE SOLE PROPERTY OF DIALIGHT. REPRODUCTION OF THIS DRAWING OR CONSTRUCTION OF ANY PARTS WITHIN THIS DRAWING ARE FORBIDDEN WITHOUT THE WRITTEN CONSENT OF DIALIGHT.		
SCALE: DRAWING SCALE	DRAWING NUMBER	REV
ALL DIM'S IN: INCHES (MM)	C-17497	A
TOLERANCES: UNLESS OTHERWISE SPECIFIED	TITLE 3mm PRISM SURFACE MOUNT CBI	
FRACTIONS: ±1/64	RoHS COMPLIANT - SILICONE LENS	
DECIMALS (.XX): ±.01	MATERIAL	
DECIMALS (.XXX): ±.005	FINISH:	
DECIMALS (.XXXX): ±.0005	Dialight	
ANGLES: ±1°	1501 ROUTE 34 SOUTH	
FSCM 83330	FARMINGDALE, NJ 07727	
SHEET 1 OF 1 FAMILY TABLE:		