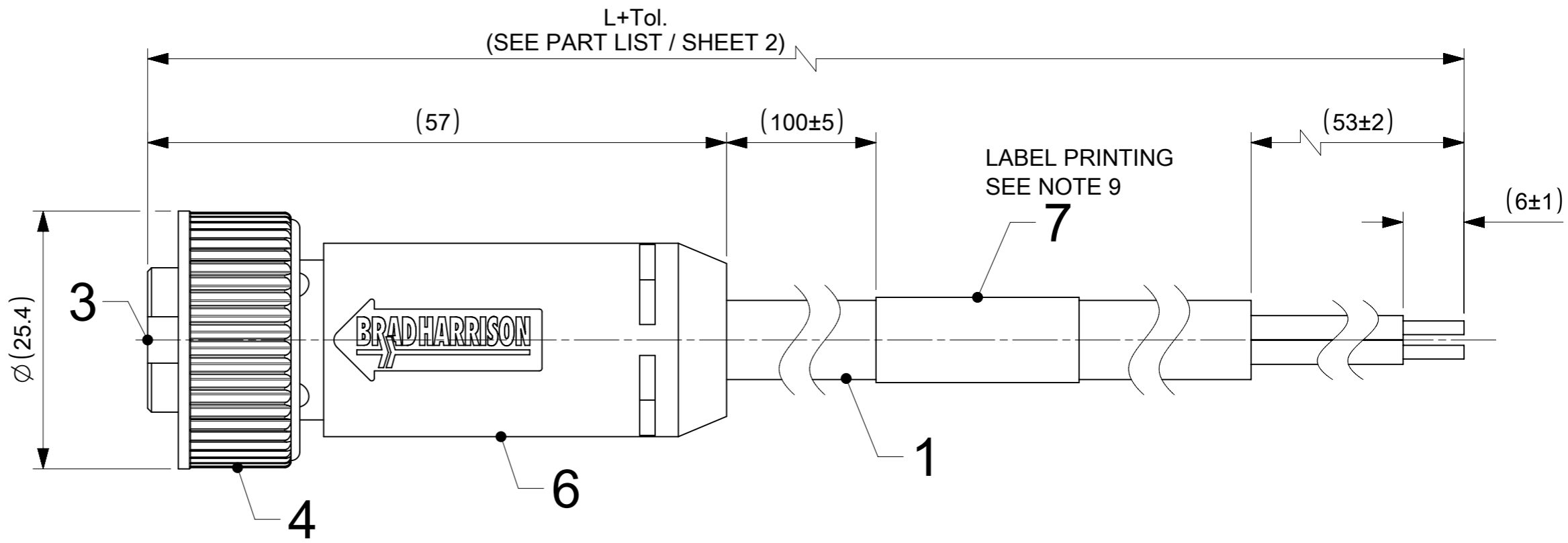


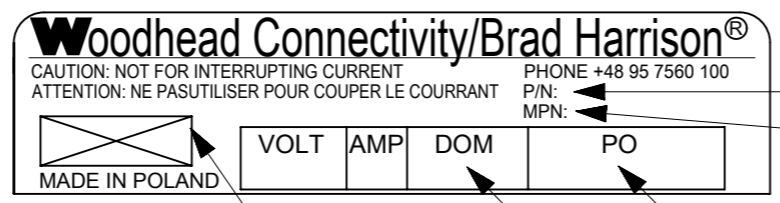
VIEW FROM THE FRONT SIDE



NOTES:

- 1. MATERIAL: AS NOTED
- 2. FINISH: AS NOTED
- 3. ELECTRICAL:  
VOLTAGE: 600 V  
CURRENT: 10 A
- 4. TEMPERATURE RATING:  
STATIC: -40 °C TO 90 °C  
DYNAMIC: -25 °C TO 80 °C
- 5. PROTECTION: IP67 (WHEN MATED)
- 6. UL CERTIFICATION: UL LISTED, FILE NO. E152210
- 7. UV RESISTANCE: YES (UL1581/2556-300h)
- 8. HOMOLOGATION: UL STYLE 21215 + CSA; RATING 80°C 600V
- 9. LABEL PRINTING ACC. STANDARD LABEL INSTRUCTION

LABEL PRINTING



ENGINEERING NO.  
MOLEX PN

PO NO.  
PRODUCT. DATE

CERTIFICATION SYMBOLS

WIRING DIAGRAM

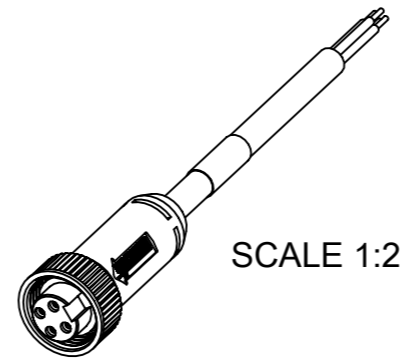
MC 4P  
FEMALE



CENELEC PIN-OUT  
(SAE PIN-OUT IN PARANTHESIS)

BILL OF MATERIAL

ITEM	QTY	DESCRIPTION	MATERIAL	FINISH/COLOR
1	-	CABLE #16-4, OD=7.8MM,WSR	TPU	GRAY
2	4	FEMALE CONTACT	Cu ALLOY	GOLD OVER NICKEL
3	1	INSERT	TPE	BLACK
4	1	COUPLING NUT	ZINC DIE-CAST	BLACK E-COAT
5	1	FRICTION RING	NYLON	NATURAL
6	-	OVERMOLD	TPE	BLACK
7	1	LABEL	VINYL	YELLOW



FUNCTIONAL SYMBOLS ▽/A = 0 ▽/E = 0 ▽/V = 0	THIS DRAWING CONTAINS INFORMATION THAT IS PROPRIETARY TO MOLEX ELECTRONIC TECHNOLOGIES, LLC AND SHOULD NOT BE USED WITHOUT WRITTEN PERMISSION	CURRENT REV DESC: NOTES UPDATED, LABEL PRINTING ADDED				
	DIMENSION UNITS: mm	SCALE: 2:1	GENERAL TOLERANCES (UNLESS SPECIFIED)			
DIVISIONAL SYMBOLS	ANGULAR TOL ± 1.0 °	4 PLACES ±	EC NO: 747270	2023/04/19	CSE MC 4P A-SIZE FE STR WSOR XM SE	
	3 PLACES ±	DRWN: RSILLER	2023/04/27	PRODUCT CUSTOMER DRAWING		
	2 PLACES ± 0.05	CHK'D: RSILLER	2023/04/27		DOCUMENT NUMBER: 1300068198	
	1 PLACE ± 0.3	APPR: RSILLER	2023/04/27	DOC TYPE: PSD		DOC PART: 000
0 PLACES ± 0.5	INITIAL REVISION:	DRWN: AKABADI	2022/07/25	MATERIAL NUMBER: SEE PART LIST	CUSTOMER: GENERAL MARKET	SHEET NUMBER: 1 OF 2
DRAFT WHERE APPLICABLE MUST REMAIN WITHIN DIMENSIONS		THIRD ANGLE PROJECTION	DRAWING: A3-SIZE	SERIES: 130006		

# PART No. MATRIX

1 0 4 0 0 0 B 3 5 M X X X

10 = A-SIZE  
single ended

Poles:  
4 = 4 Poles

Heads style:  
000 = Female straight

Cable:  
B35 = 4x1.5mm<sup>2</sup> TPU GY

Units:  
M = Meter

Length  
Examples:  
005 = 0.5 m  
010 = 1 m  
050 = 5 m  
100 = 10 m  
150 = 15 m

## PART LIST

MOLEX PN	ENGINEERING NO.	L+Tol. [mm]
1300068187	104000B35M020	2000+89
1300068188	104000B35M030	3000+89
1300068189	104000B35M040	4000+165
1300068190	104000B35M050	5000+165
1300068196	104000B35M100	10000+317
1300068197	104000B35M150	15000+610
1300068198	104000B35M200	20000+610

FUNCTIONAL SYMBOLS	THIS DRAWING CONTAINS INFORMATION THAT IS PROPRIETARY TO MOLEX ELECTRONIC TECHNOLOGIES, LLC AND SHOULD NOT BE USED WITHOUT WRITTEN PERMISSION		
	$\nabla_A = 0$ $\nabla_E = 0$ $\nabla_P = 0$	DIMENSION UNITS <b>mm</b>	SCALE <b>1:1</b>
DIVISIONAL SYMBOLS	GENERAL TOLERANCES (UNLESS SPECIFIED)		CURRENT REV DESC: NOTES UPDATED, LABEL PRINTING ADDED  EC NO: 747270 DRWN: RSILLER 2023/04/19 CHK'D: RSILLER 2023/04/27 APPR: RSILLER 2023/04/27  INITIAL REVISION: DRWN: AKABADI 2022/07/25 APPR: RSILLER 2023/01/30
	ANGULAR TOL ± 1.0°		
	4 PLACES ±		
	2 PLACES ± 0.05		
	1 PLACE ± 0.3		
0 PLACES ± 0.5			
DRAFT WHERE APPLICABLE MUST REMAIN WITHIN DIMENSIONS		THIRD ANGLE PROJECTION	DRAWING <b>A3-SIZE</b>
DOCUMENT NUMBER <b>1300068198</b>		DOC TYPE PSD	DOC PART 000
MATERIAL NUMBER SEE PART LIST		CUSTOMER GENERAL MARKET	REVISION <b>A1</b>
SHEET NUMBER 2 OF 2			