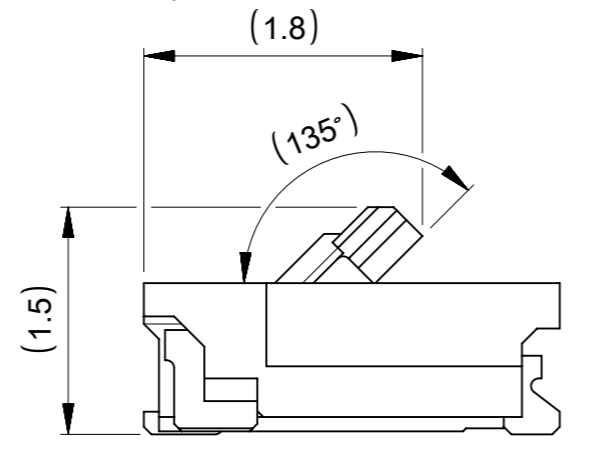
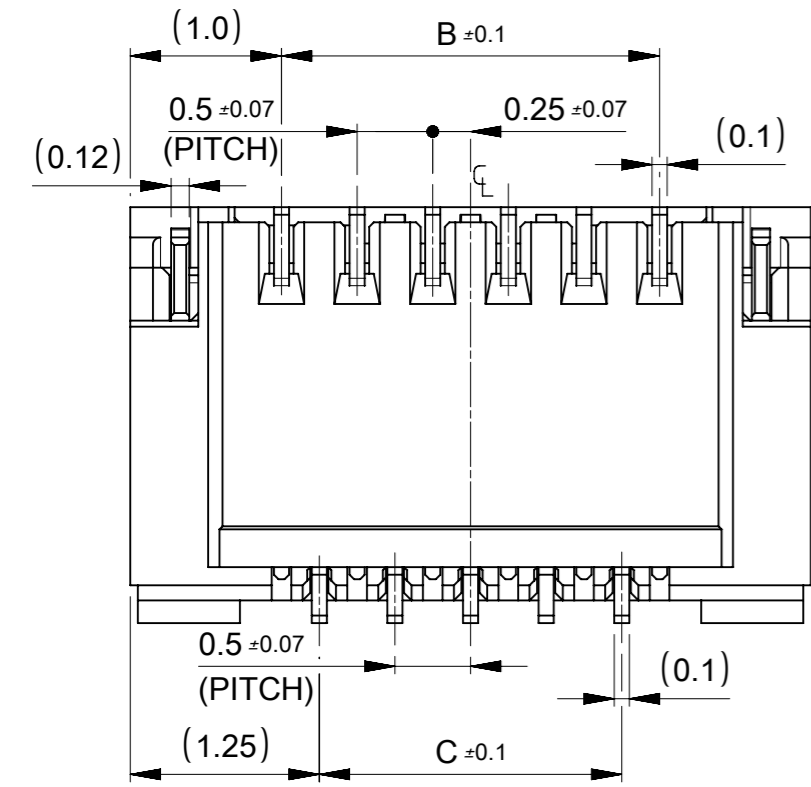
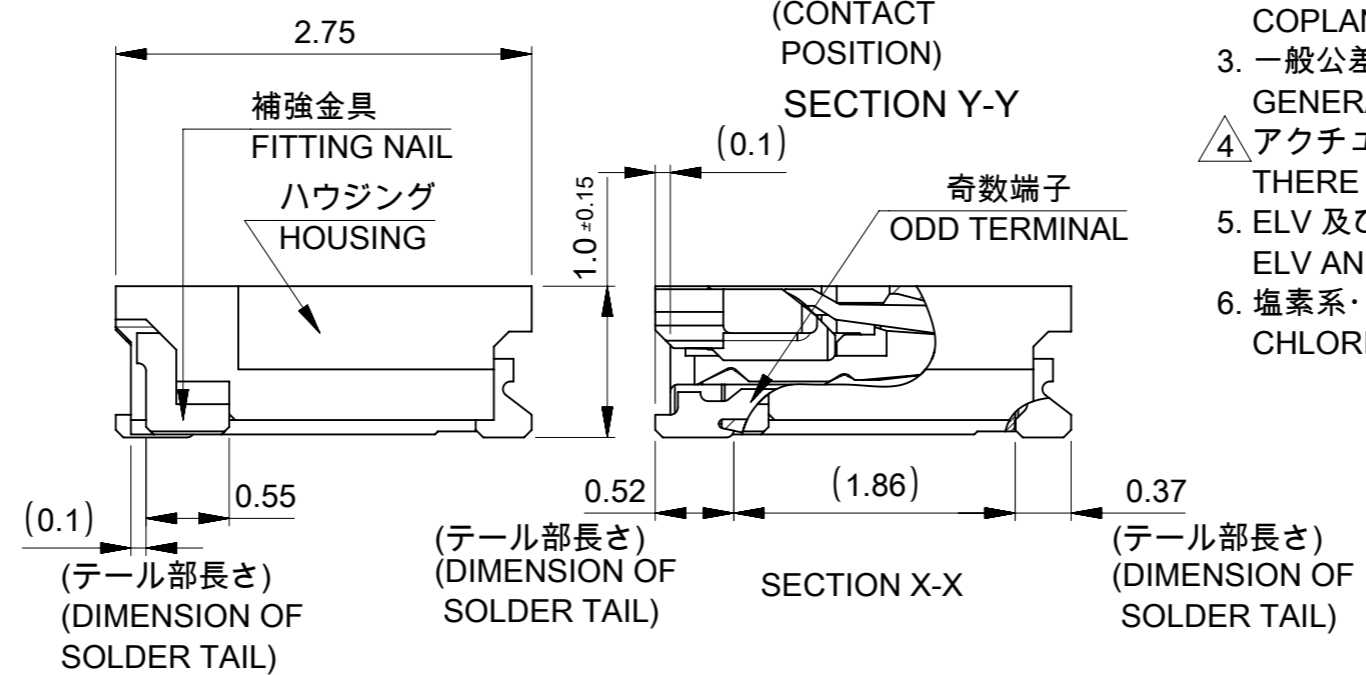
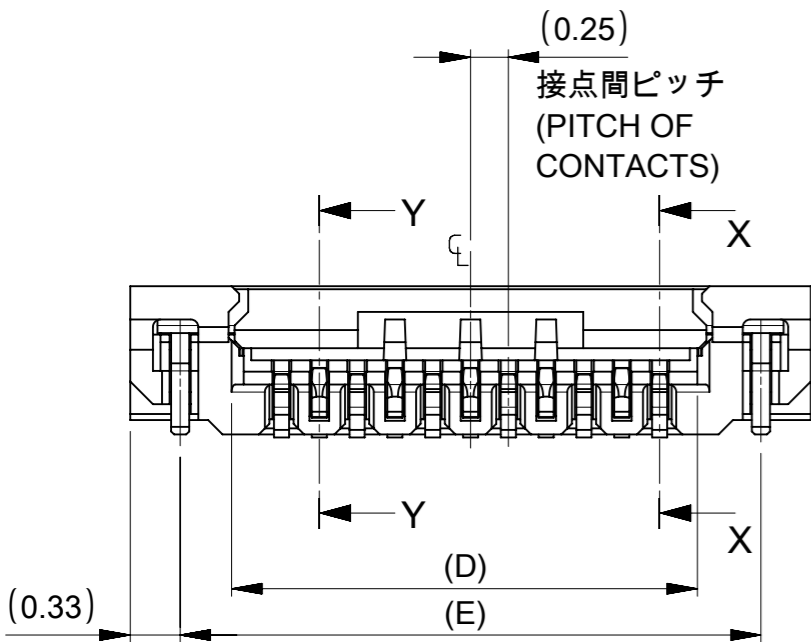


注記 NOTES

1. 使用材料 MATERIALS

- ハウジング : 耐熱性樹脂(UL94V-0、ベージュ)
 - アクチュエータ : 耐熱性樹脂(UL94HB、黒色)
 - 奇数端子 : 銅合金、ニッケル下地、金メッキ
 - 偶数端子 : 銅合金、ニッケル下地、金メッキ
 - 補強金具 : 銅合金、ニッケル下地、スズメッキ
 - HOUSING : G.F. HEAT RESISTANCE PLASTIC (BEIGE)
 - ACTUATOR : G.F. HEAT RESISTANCE PLASTIC (BLACK)
 - ODD TERMINAL : COPPER ALLOY, Gold OVER Nickel PLATING
 - EVEN TERMINAL : COPPER ALLOY, Gold OVER Nickel PLATING
 - FITTING NAIL : COPPER ALLOY, Tin OVER Nickel PLATING
- 2 端子、補強金具のコプラナリティーは 以下とする
COPLANARITY OF SOLDER TAILS AND FITTING NAILS : 0.1MAX.
3. 一般公差 : ± 0.3
GENERAL TOLERANCES: ±>0.3
- 4 アクチュエータの図示箇所にゲート逃げの凹みがつきます
THERE ARE DENT SHAPES AT ACTUATOR FOR MOLDING GATE
5. ELV 及び RoHS 適合品
ELV AND RoHS COMPLIANT
6. 塩素系・臭素系難燃剤非使用
CHLORINATED AND BROMINATED FLAME RETARDANTS FREE



13.84	13	12	12.5	14.5	502078-5110	502078-5118	51
9.34	8.5	7.5	8	10	502078-3310	502078-3318	33
7.34	6.5	5.5	6	8	502078-2510	502078-2518	25
6.34	5.5	4.5	5	7	502078-2110	502078-2118	21
5.34	4.5	3.5	4	6	502078-1710	502078-1718	17
E	D	C	B	A	ORDER NO.	MATERIAL NO.	CKT.=N

502078-**18 MODEL NO.

THIS DRAWING CONTAINS INFORMATION THAT IS PROPRIETARY TO MOLEX ELECTRONIC TECHNOLOGIES, LLC AND SHOULD NOT BE USED WITHOUT WRITTEN PERMISSION

SCALE: 20:1

GENERAL TOLERANCES (UNLESS SPECIFIED)

	MM	INCH
4 PLACES ±	±	±
3 PLACES ±	±	±
2 PLACES ±	±	±
1 PLACE ±	±	±
0 PLACES ±	±	±
ANGULAR TOL	± 1.0°	

EC NO: 632260
DRWN: RPRABHUM 2020/01/29
CHK'D: GGA 2020/02/28
APPR: GGA 2020/02/28

INITIAL REVISION:
DRWN: YFUJITA 2008/12/15
APPR: AHORINO 2008/12/15

THIRD ANGLE PROJECTION

DRAFT WHERE APPLICABLE MUST REMAIN WITHIN DIMENSIONS

SCALE: A3-SIZE

SERIES: 502078

MATERIAL NUMBER: SEE CHART

CUSTOMER: GENERAL MARKET

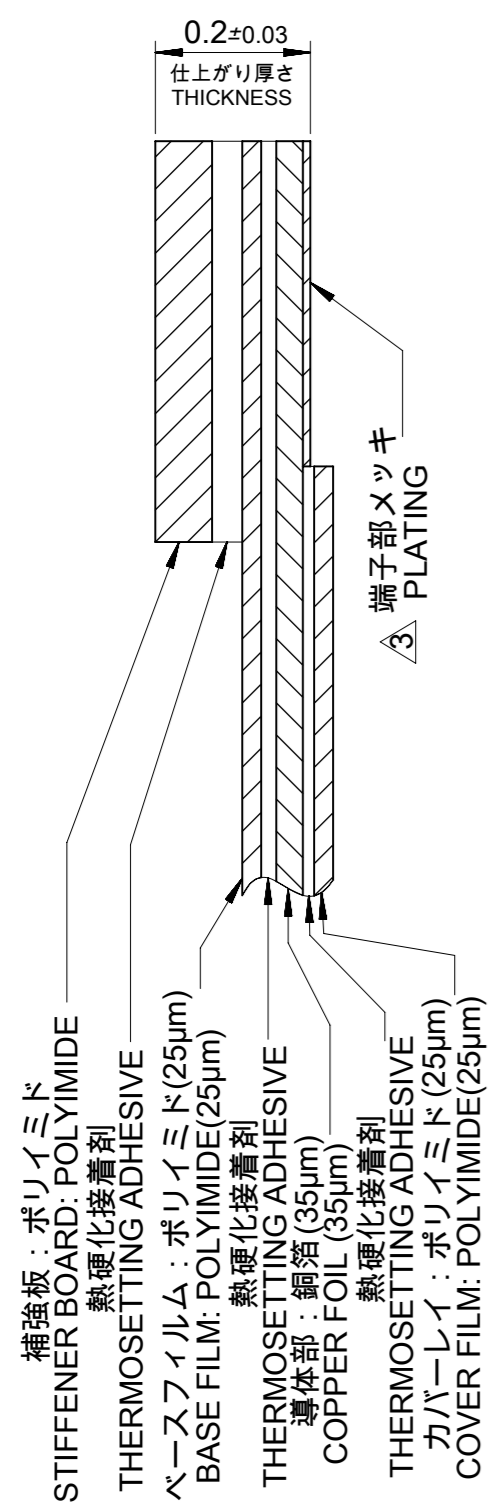
SHEET NUMBER: 1 OF 2

DOCUMENT NUMBER: SD-502078-003

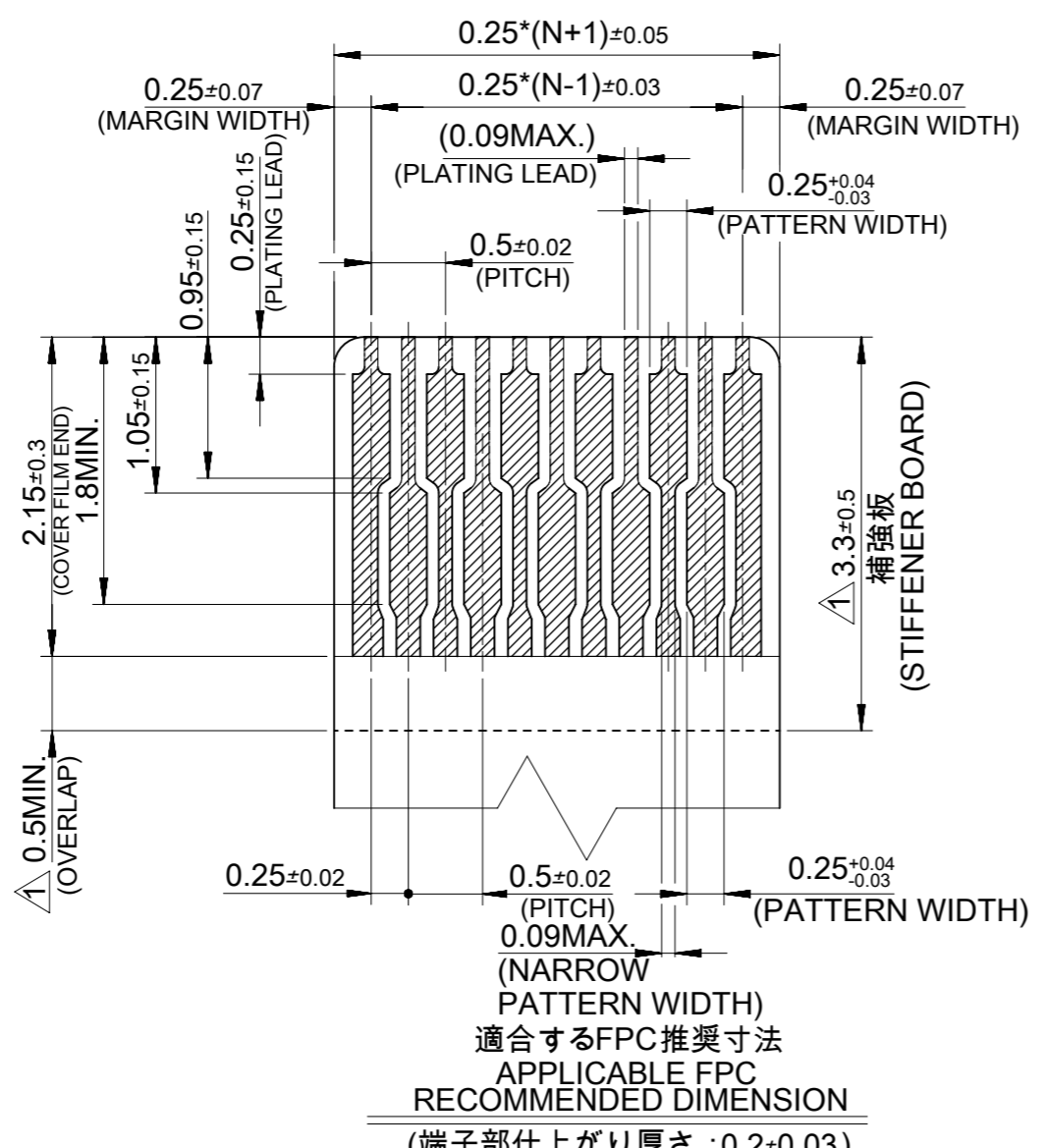
DOC TYPE: PSD

DOC PART: 001

REVISION: D



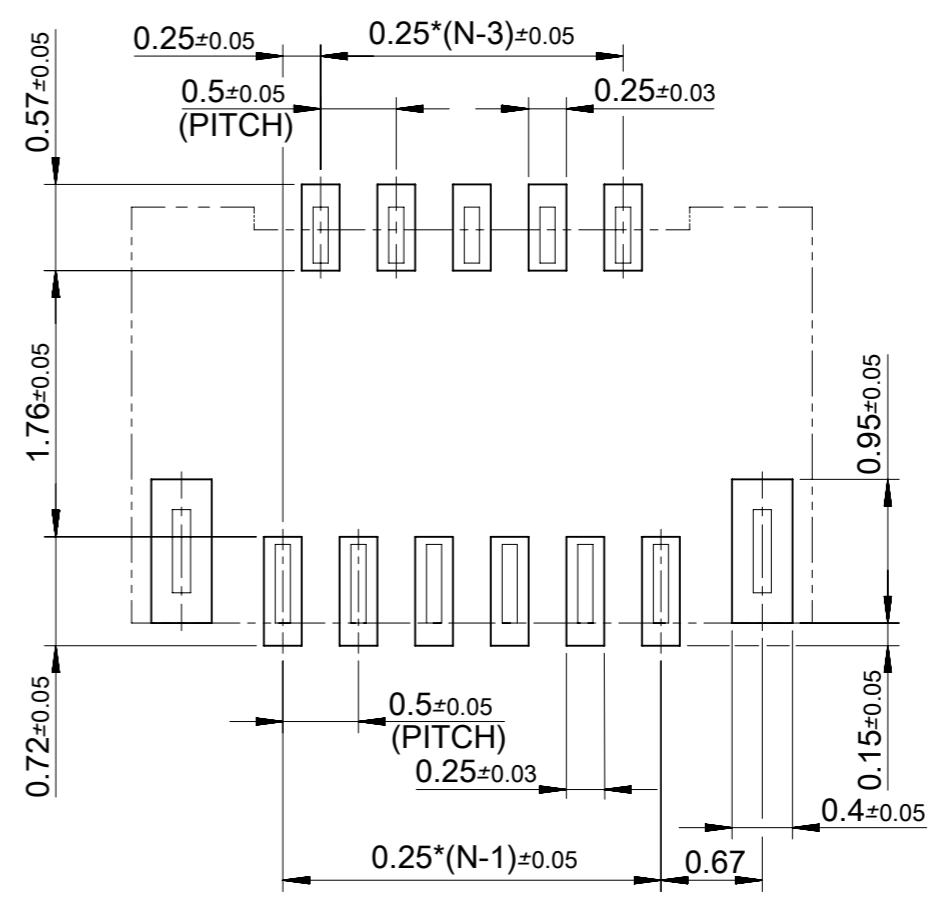
FPC構成材料例
EXAMPLE OF FPC COMPOSITION MATERIAL



適合するFPC推奨寸法
APPLICABLE FPC
RECOMMENDED DIMENSION
(端子部仕上がり厚さ : 0.2±0.03)
(THICKNESS: 0.2±0.03)

注記 NOTES

- ① 補強板長さが図面通り確保できない場合は、カバーレイと補強板のオーバーラップ寸法を0.5mm 以上としてください
WHEN STIFFENER BOARD DIMENSION CAN NOT SECURE AS DRAWING, PLEASE GIVE THE OVERLAP SIZE OF COVER FILM AND STIFFENER BOARD AS 0.5mm MINIMUM
- ② 推奨ペースト厚 : 100μm
推奨マスク開口率: 80%
RECOMMEND SCREEN THICKNESS : 100μm
RECOMMEND SCREEN OPEN RATIO : 80%



FPC挿入側
FPC INSERTION SIDE
参考基板レイアウト
RECOMMENDED PCB
PATTERN DIMENSIONS (REF.)

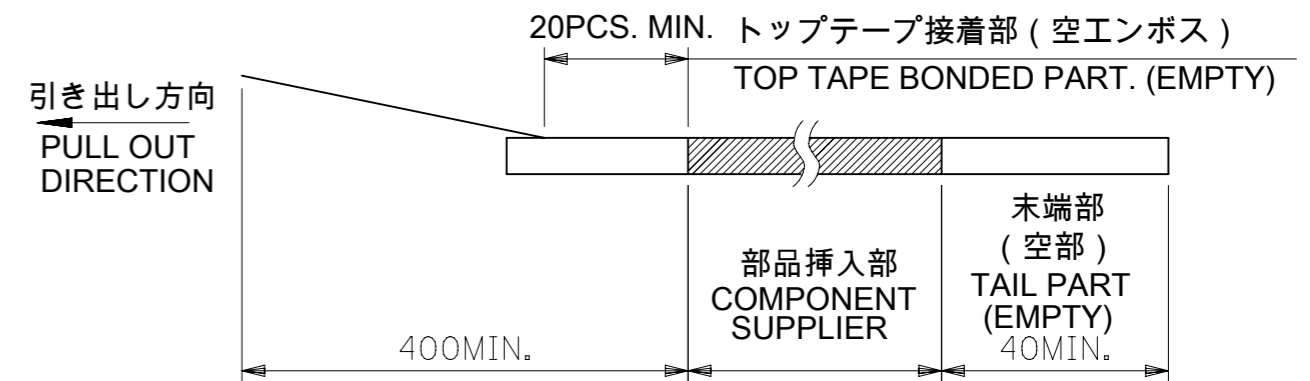
- ③ FPCパターンのメッキ仕様は
金メッキ : 0.1μm 以上
下地ニッケルメッキ : 2~6μm
FPC PATTERN PLATING
GOLD PLATING : 0.1μm MINIMUM
NICKEL UNDER PLATING : 2~6μm

- ④ FPCについて(ABOUT FPC)
抜き方向は、導体側から補強板側を推奨します
補強板材質は、ポリイミドを推奨します
接着剤は熱硬化接着剤を推奨します
なお、接着剤の接点部への付着は導通不良の原因となりますので染み出しがないよう、お願いします
RECOMMENDED PUNCHER DIRECTION:
FROM CONDUCTOR SIDE TO STIFFENER BORAD SIDE
RECOMMENDED MATERIAL:
STIFFENER BOARD: POLYIMIDE
BONDING AGENT: THERMOSETTING AGENT
PLEASE PUT APPROPRIATE AMOUNT OF ADHESIVE ON THE CONTACT AREA BECAUSE THE EXTRA ADHESIVE MAY CAUSE THE DEFECT IN ELECTRICAL CONTINUITY

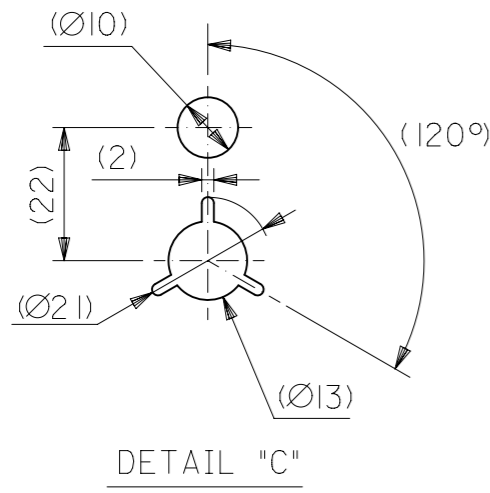
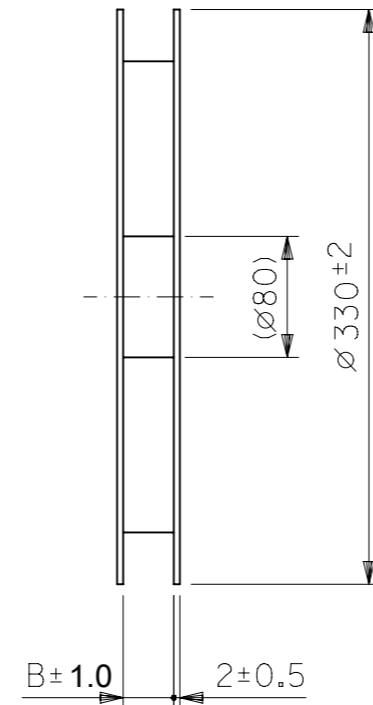
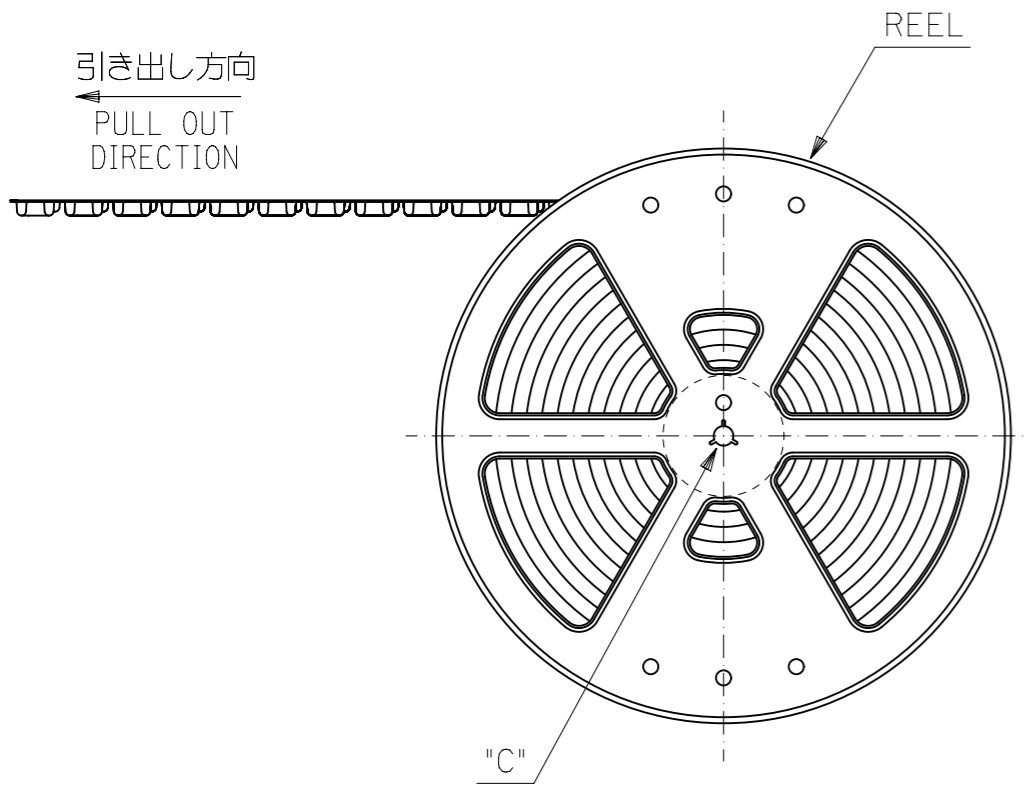
THIS DRAWING CONTAINS INFORMATION THAT IS PROPRIETARY TO MOLEX ELECTRONIC TECHNOLOGIES, LLC AND SHOULD NOT BE USED WITHOUT WRITTEN PERMISSION		CURRENT REV DESC: OBSOLETE PART NO.		molex	
DIMENSION UNITS: mm		SCALE: 20:1			
GENERAL TOLERANCES (UNLESS SPECIFIED)		EC NO: 632260		0.25 PITCH FPC CONN E/O	
		DRWN: RPRABHUM 2020/01/29		HGT=1.0 BTM CONTACT TYPE	
4 PLACES ±		CHK'D: GGA 2020/02/28		PRODUCT CUSTOMER DRAWING	
3 PLACES ±		APPR: GGA 2020/02/28		DOCUMENT NUMBER	
2 PLACES ±		INITIAL REVISION:		DOC TYPE	
1 PLACE ±		DRWN: YFUJITA 2008/12/15		DOC PART	
0 PLACES ±		APPR: AHORINO 2008/12/15		REVISION	
ANGULAR TOL ± 1.0°		DRAFT WHERE APPLICABLE MUST REMAIN WITHIN DIMENSIONS		SD-502078-003	
THIRD ANGLE PROJECTION		DRAWING		PSD	
SERIES		MATERIAL NUMBER		001	
A3-SIZE		CUSTOMER		D	
502078		GENERAL MARKET		2 OF 2	

注記NOTES

- 製品詳細寸法については図面 SD-502078-003 を参照下さい。
RE DETAILED DIMENSION, SEE SD-502078-003
- 梱包数量 : 3000個 / リール
NUMBER OF CONNECTORS : 3000 PCS/REEL
- リードテープ長さ LEAD TAPE LENGTH



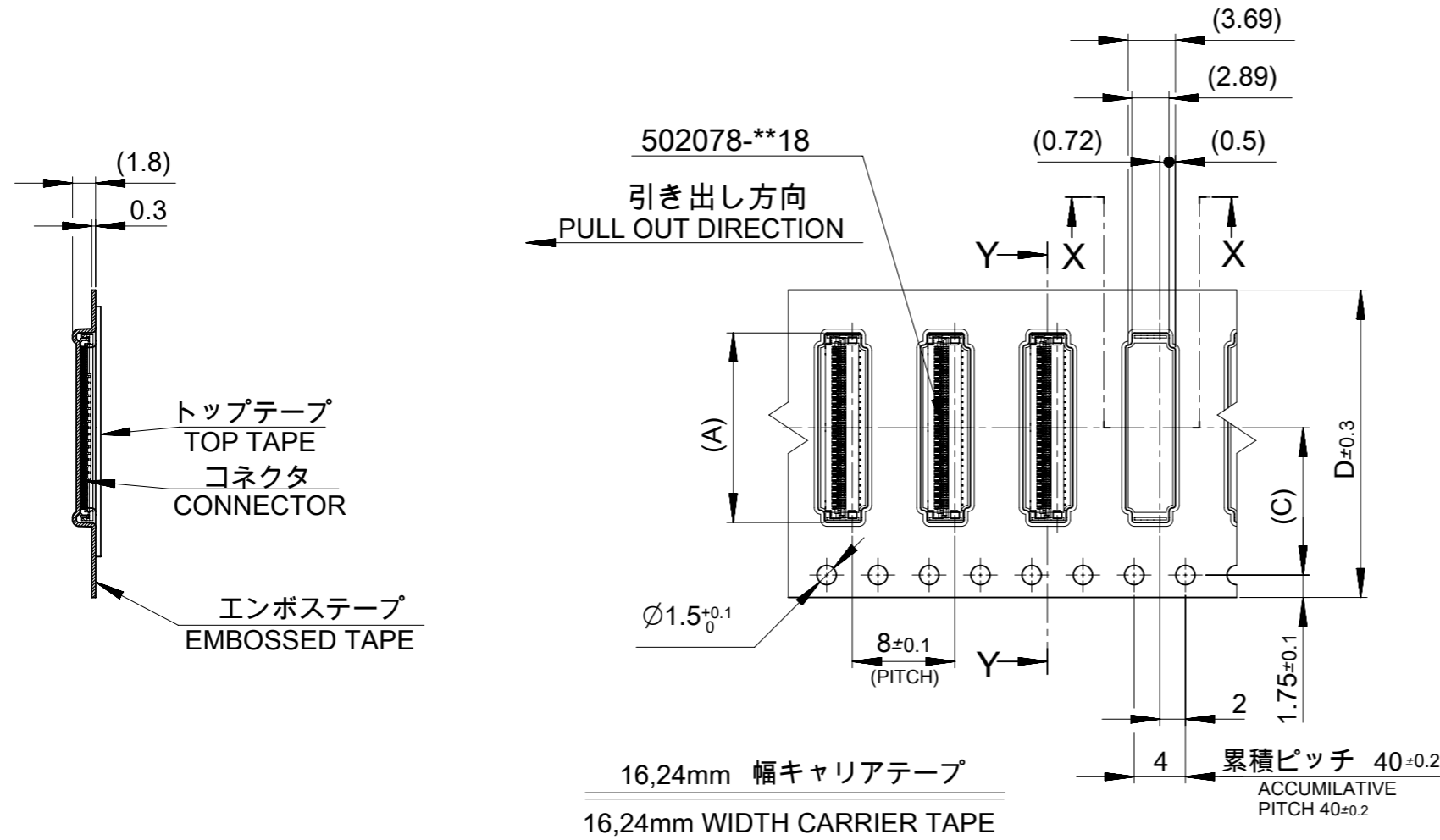
- 材料 MATERIAL
 キャリアテープ (CARRIER TAPE) : ポリスチレン (POLYSTYRENE)
 トップテープ (TOP TAPE) : PET, PE, PEF
 リール (REEL) : ポリスチレン (PS) <リサイクル材を含む>
 POLYSTYRENE (PS) <RECYCLE MATERIAL CONTAINED>



MODEL NO. 502078-**10

THIS DRAWING CONTAINS INFORMATION THAT IS PROPRIETARY TO MOLEX ELECTRONIC TECHNOLOGIES, LLC AND SHOULD NOT BE USED WITHOUT WRITTEN PERMISSION		CURRENT REV DESC: OBSOLETE PART NO.			
DIMENSION UNITS: mm SCALE: 1:1		EC NO: 632260 DRWN: RPRABHUM 2020/02/12 CHK'D: GGA 2020/02/28 APPR: GGA 2020/02/28			
GENERAL TOLERANCES (UNLESS SPECIFIED)		INITIAL REVISION: DRWN: YFUJITA 2008/12/15 APPR: AHORINO 2008/12/15		PRODUCT CUSTOMER DRAWING	
4 PLACES ± 0.2 3 PLACES ± 0.25 2 PLACES ± 0.3 1 PLACE ± 0.3 0 PLACES ± 0.3		ANGULAR TOL ± 1.0°		DOCUMENT NUMBER: SD-502078-004 DOC TYPE: PSD DOC PART: 001 REVISION: A	
DRAFT WHERE APPLICABLE MUST REMAIN WITHIN DIMENSIONS		THIRD ANGLE PROJECTION		MATERIAL NUMBER: SEE CHART CUSTOMER: GENERAL MARKET SHEET NUMBER: 1 OF 2	

GENERAL TOLERANCES (UNLESS SPECIFIED)	
10 ^{UNDER}	±0.2
10 ^{OVER} 30 ^{UNDER}	±0.25
30 ^{OVER}	±0.3

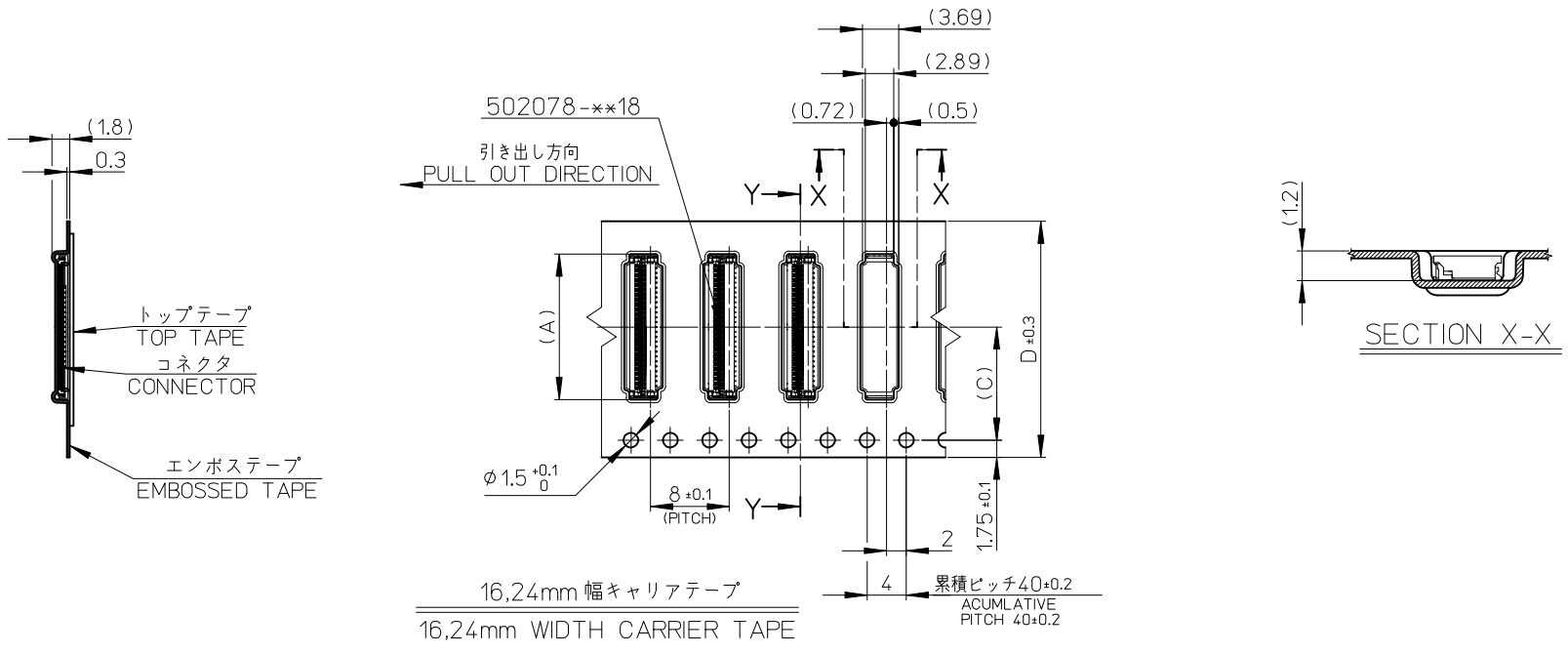


24	11.5	25.4	14.8	502078-5110	51
			10.3	502078-3310	33
			8.3	502078-2510	25
			7.3	502078-2110	21
16	7.5	17.4	6.3	502078-1710	17
D キャリアテープ幅 CARRIER TAPE WIDTH	C	B	(A)	製品番号 MATERIAL NO.	極数 CKT.
			MODEL NO. 502078-**10		

THIS DRAWING CONTAINS INFORMATION THAT IS PROPRIETARY TO MOLEX ELECTRONIC TECHNOLOGIES, LLC AND SHOULD NOT BE USED WITHOUT WRITTEN PERMISSION

DIMENSION UNITS		SCALE		CURRENT REV DESC: OBSOLETE PART NO.			
mm		5:1		<p>molex</p> <p>0.25 FPC CONN E/O HSG ASSY EMBOSSED TAPE PACKAGE</p> <p>PRODUCT CUSTOMER DRAWING</p> <p>DOCUMENT NUMBER: SD-502078-004 DOC TYPE: PSD DOC PART: 001 REVISION: A</p> <p>MATERIAL NUMBER: SEE CHART CUSTOMER: GENERAL MARKET SHEET NUMBER: 2 OF 2</p>			
GENERAL TOLERANCES (UNLESS SPECIFIED)							
4 PLACES	±	MM	INCH				
3 PLACES	±						
2 PLACES	±			<p>EC NO: 632260 2020/02/12</p> <p>DRWN: RPRABHUM 2020/02/28</p> <p>CHK'D: GGA 2020/02/28</p> <p>APPR: GGA 2020/02/28</p>			
1 PLACE	±			<p>INITIAL REVISION:</p> <p>DRWN: YFUJITA 2008/12/15</p> <p>APPR: AHORINO 2008/12/15</p>			
0 PLACES	±			<p>ANGULAR TOL ± 1.0°</p> <p>DRAFT WHERE APPLICABLE MUST REMAIN WITHIN DIMENSIONS</p> <p>THIRD ANGLE PROJECTION</p> <p>DRAWING: A3-SIZE SERIES: 502078</p>			

GENERAL TOLERANCES (UNLESS SPECIFIED)		
10 ^{UNDER}	±0.2	
10 ^{OVER} 30 ^{UNDER}	±0.25	
30 ^{OVER}	±0.3	



24	11.5	25.4	14.8	502078-5110	51
			11.8	502078-3910	39
			10.3	502078-3310	33
			8.3	502078-2510	25
			7.3	502078-2110	21
16	7.5	17.4	6.3	502078-1710	17
D キャリアテープ幅 CARRIER TAPE WIDTH	C	B	(A)	製品番号 MATERIAL NO.	極数 CKT.
MODEL NO.			502078-**-10		

RELEASED EC NO: J2009-1529 DRWN: YFUJITA 2008/12/15 CHKD: TKANEKO 2008/12/15 APPR: TKANEKO 2008/12/15 REV: 0	DESCRIPTION GENERAL TOLERANCES (UNLESS SPECIFIED) 10 UNDER ±0.2 10 OVER 30 UNDER ±0.25 30 OVER ±0.3 ANGULAR ±1 ° DRAFT WHERE APPLICABLE MUST REMAIN WITHIN DIMENSIONS	DIMENSION STYLE MM ONLY		SCALE 1:1	DESIGN UNITS METRIC	THIRD ANGLE PROJECTION			
		DRAWN BY YFUJITA		DATE 2008/12/15		TITLE 0.25MM FPC CONN E/O HSG ASSY EMBOSSED TAPE PACKAGE			
		CHECKED BY TKANEKO		DATE 2008/12/15		APPROVED BY AHORINO			
		APPROVED BY AHORINO		DATE 2008/12/15		MATERIAL NO. SEE CHART		DOCUMENT NO. SD-502078-004	
		MATERIAL NO.		DATE		SHEET NO. 2 OF 2			