

**SAW Filter: 1583.0MHz**  
**Part No: MP05419**

**Model: TA1343A**  
**Rev No: 2**

**A. MAXIMUM RATING:**

1. Input Power Level: 13dBm
2. DC Voltage: 0V
3. Operating Temperature: -40°C to +85°C
4. Storage Temperature: -40°C to +85°C

**B. ELECTRICAL CHARACTERISTICS:**

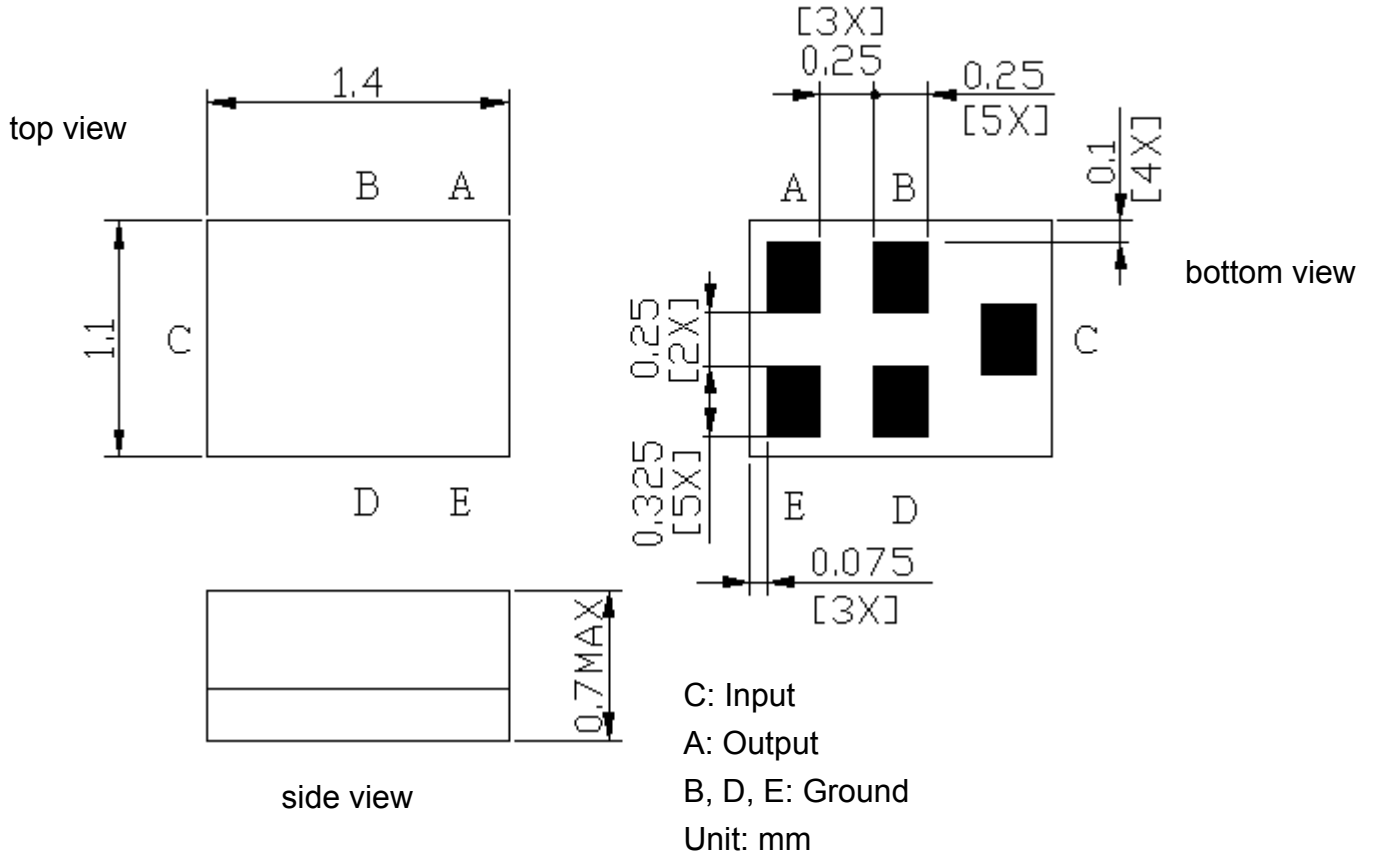
1. Terminating source impedance (single):  $Z_S = 50\Omega$
2. Terminating load impedance (single):  $Z_L = 50\Omega$

Item	Unit	25 ± 2°C	Typ.	-40 ~ +85°C
Center Frequency Fc	MHz	-	1583	-
Insertion Loss				
1559.1 ~ 1563.1MHz IL	dB	1.9max	1.8	2.1max
1573.42 ~ 1577.42MHz IL	dB	1.3max	1.2	1.5max
1597.55 ~ 1605.89MHz IL	dB	1.6max	1.5	2.1max
VSWR				
1559.1 ~ 1563.1MHz		1.5max	1.4	1.8max
1573.42 ~ 1577.42MHz		1.7max	1.6	1.9max
1597.55 ~ 1605.89MHz		1.7max	1.6	1.9max
Amplitude ripple				
1559.1 ~ 1563.1MHz	dB	0.6max	0.5	0.8max
1573.42 ~ 1577.42MHz	dB	0.3max	0.2	0.5max
1597.55 ~ 1605.89MHz	dB	0.5max	0.3	0.6max
Attenuation				
10 ~ 824MHz	dB	25min	30	25min
824 ~ 925MHz	dB	25min	30	25min
1427 ~ 1463MHz	dB	30min	35	30min
1710 ~ 1785MHz	dB	25min	30	25min
1850 ~ 1980MHz	dB	26min	30	26min
2400 ~ 2570MHz	dB	30min	33	30min
2570 ~ 3000MHz	dB	35min	38	35min
Package size	mm	SMD 1.4 x 1.1		

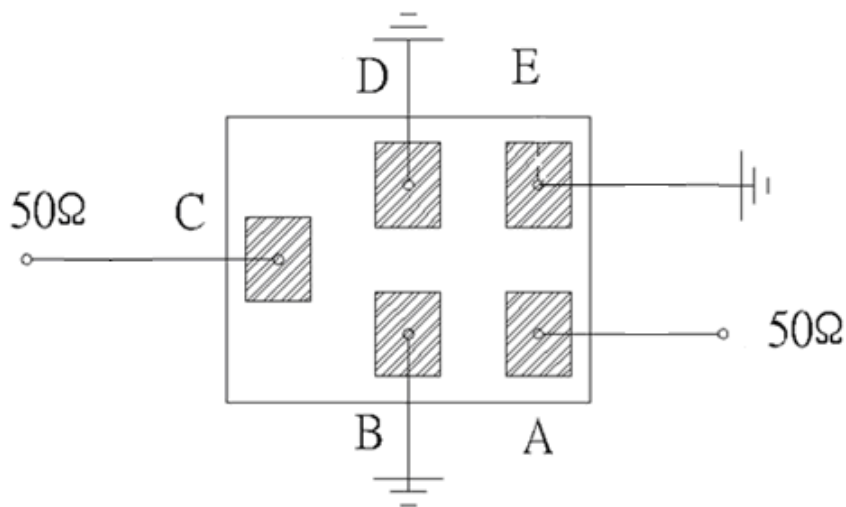
**SAW Filter: 1583.0MHz**  
**Part No: MP05419**

**Model: TA1343A**  
**Rev No: 2**

**C. OUTLINE DRAWING:**



**D. MEASUREMENT CIRCUIT:**

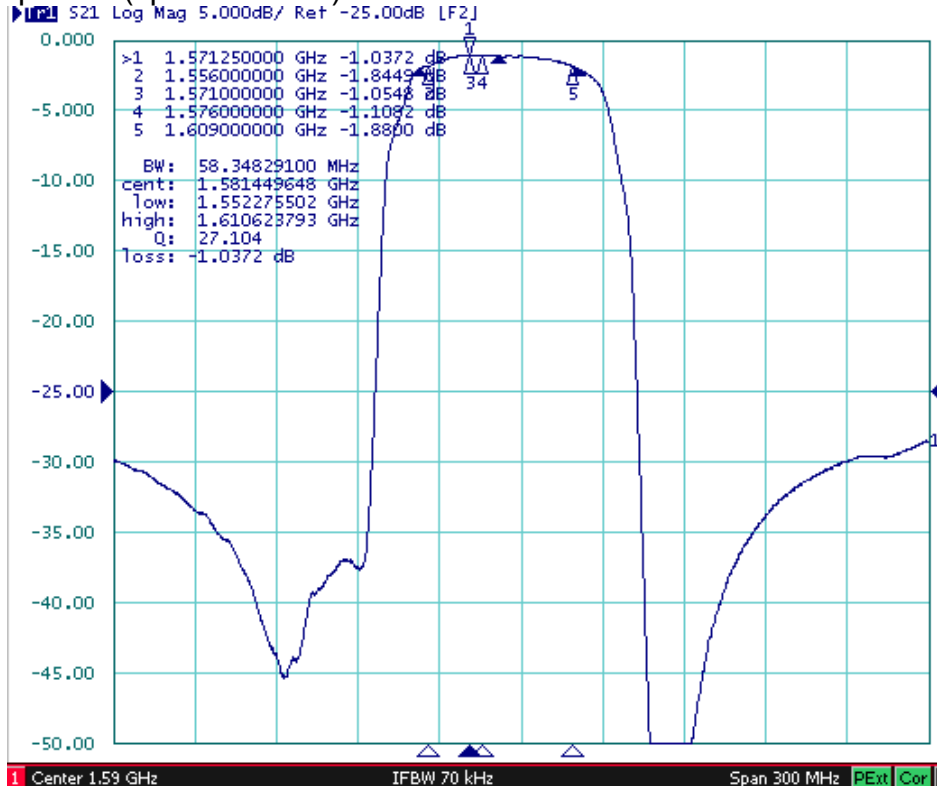


**SAW Filter: 1583.0MHz**  
**Part No: MP05419**

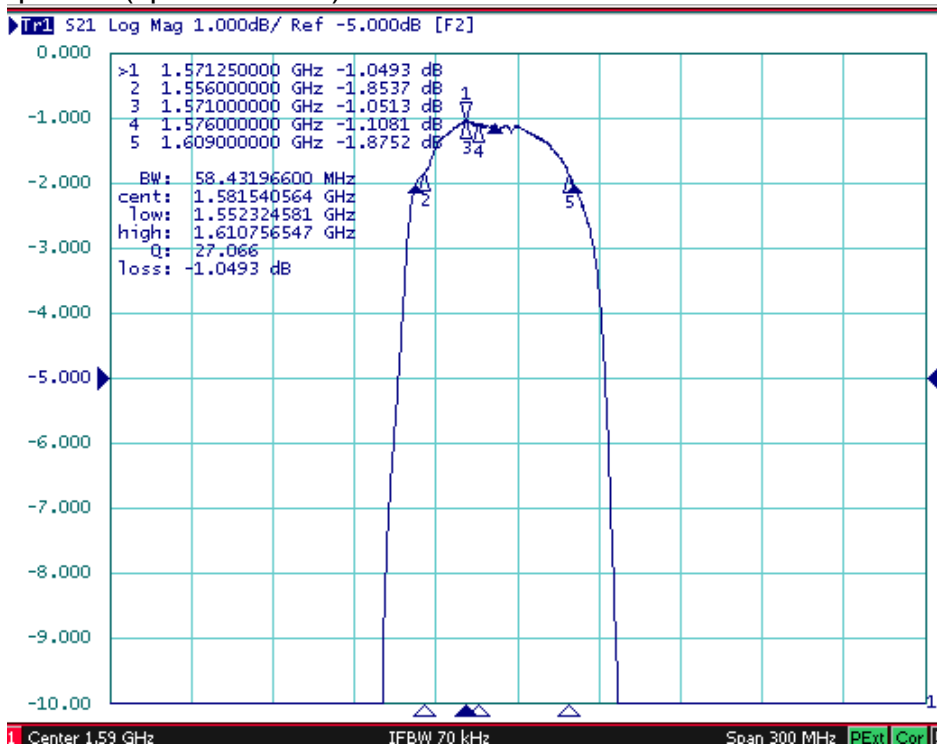
**Model: TA1343A**  
**Rev No: 2**

**E. FREQUENCY CHARACTERISTICS:**

1. S21 response: (span 300MHz)



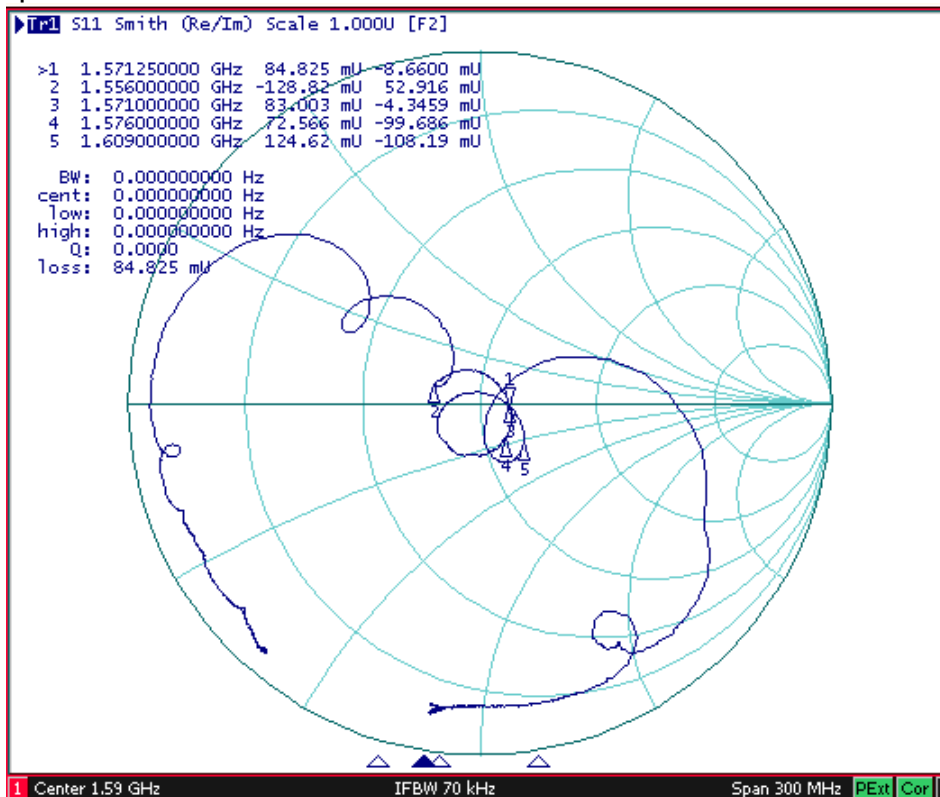
2. S21 response: (span 300MHz)



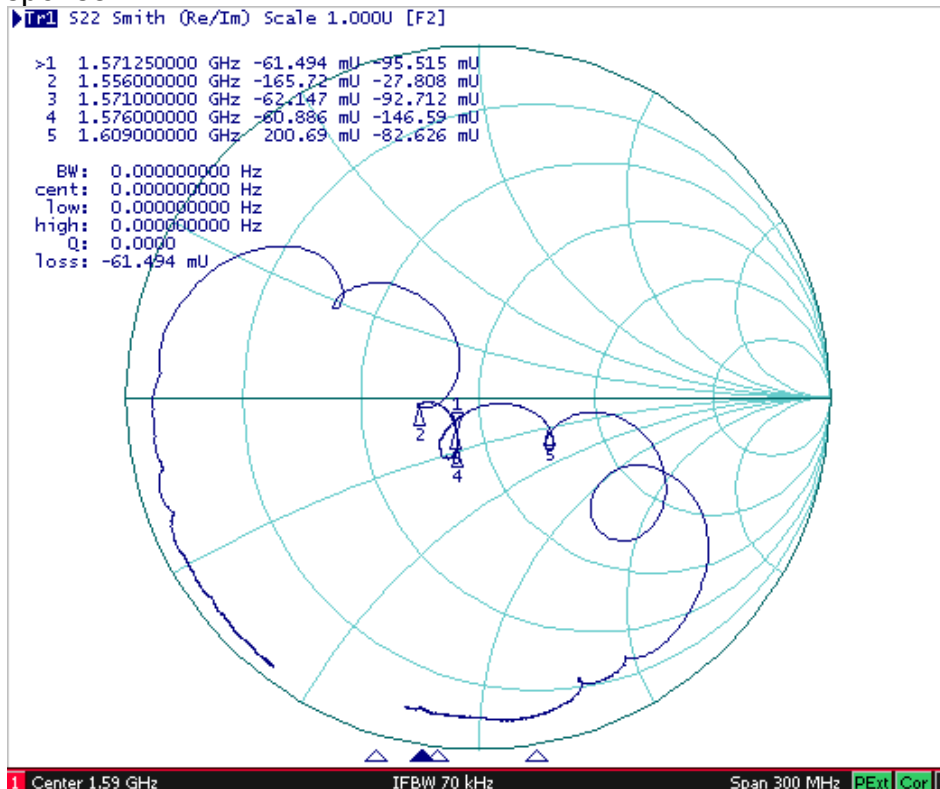
**SAW Filter: 1583.0MHz**  
**Part No: MP05419**

**Model: TA1343A**  
**Rev No: 2**

### 3. S11 response



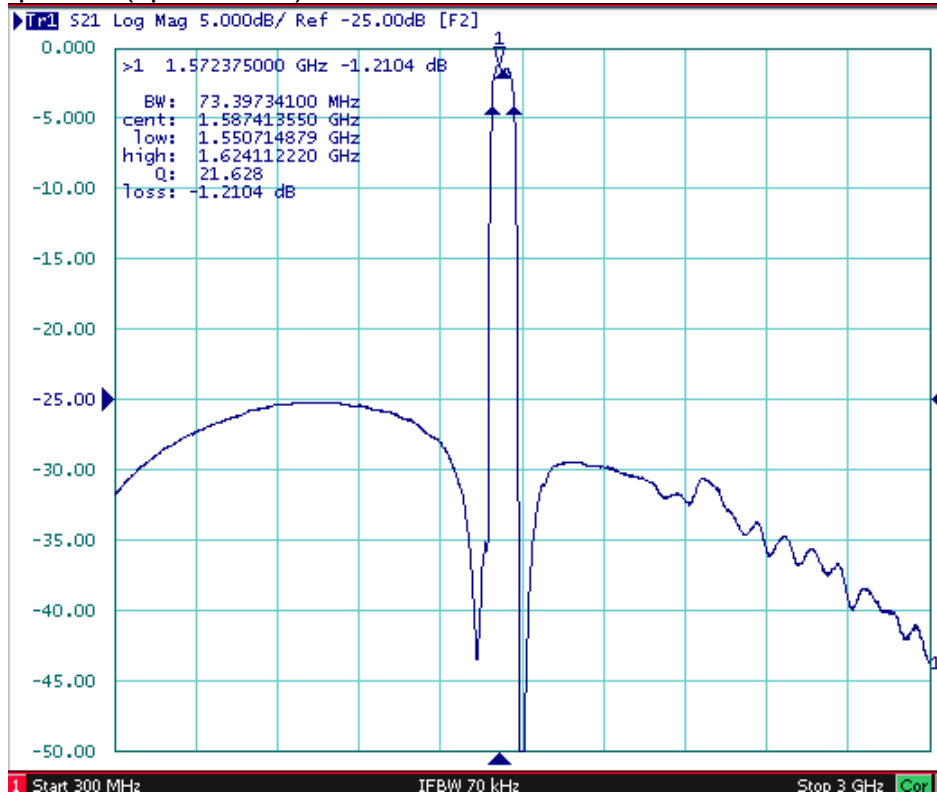
### 4. S22 response



**SAW Filter: 1583.0MHz**  
**Part No: MP05419**

**Model: TA1343A**  
**Rev No: 2**

5. S21 response: (span 3GHz)



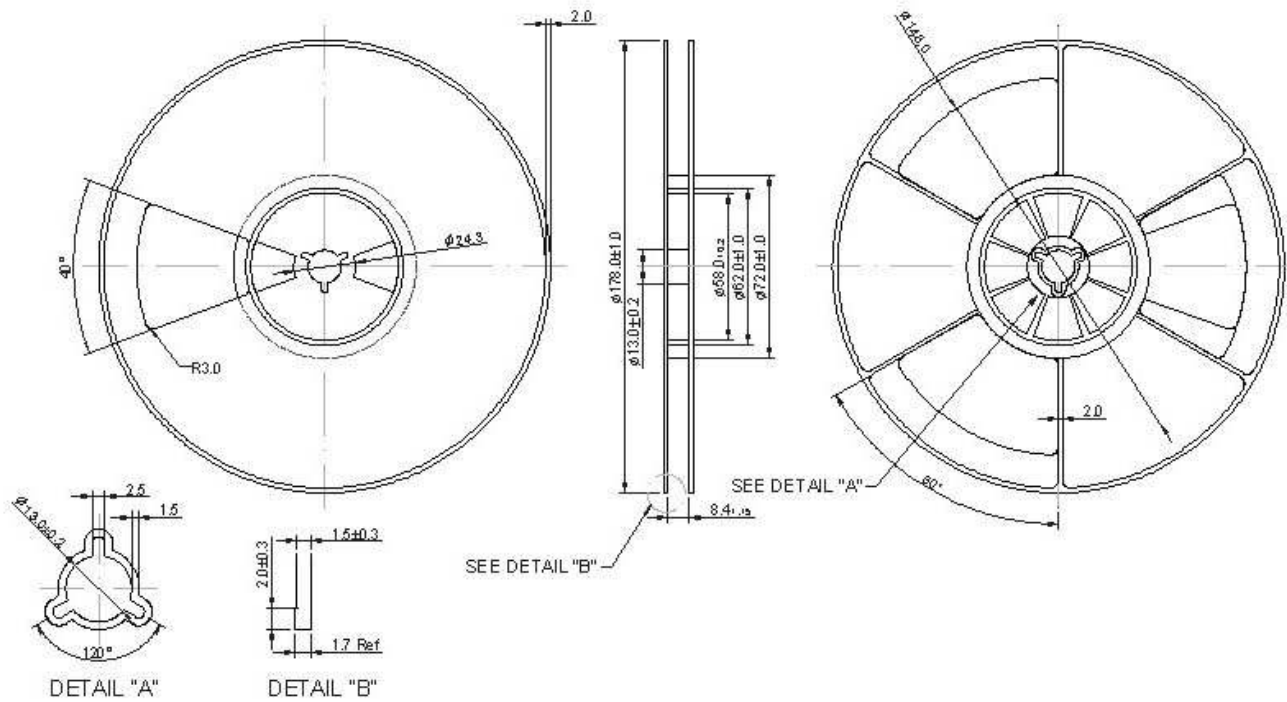
**SAW Filter: 1583.0MHz**  
**Part No: MP05419**

**Model: TA1343A**  
**Rev No: 2**

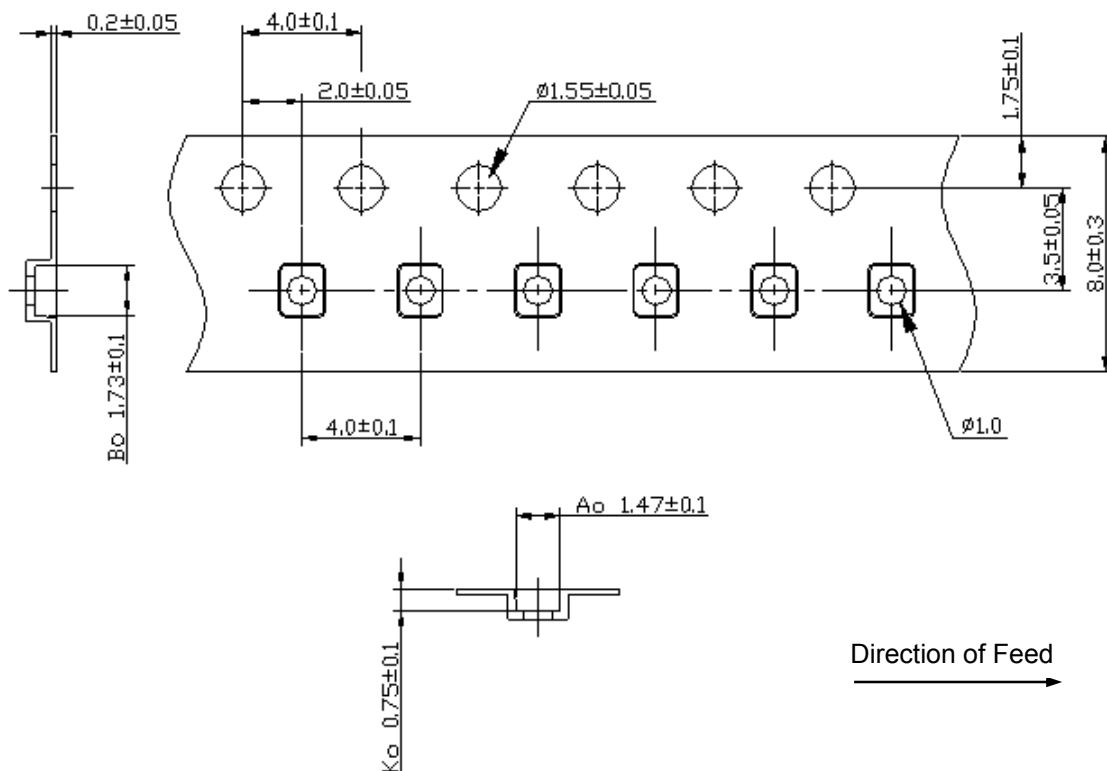
**F. PACKING:**

1. Reel Dimension

(Please refer to FR-75D10 for packing quantity)



2. Tape Dimension



**SAW Filter: 1583.0MHz**  
**Part No: MP05419**

**Model: TA1343A**  
**Rev No: 2**

**G. RECOMMENDED REFLOW PROFILE:**

