

4

3

2

1

THIS DRAWING IS UNPUBLISHED.

RELEASED FOR PUBLICATION

ALL RIGHTS RESERVED.

© COPYRIGHT - BY -

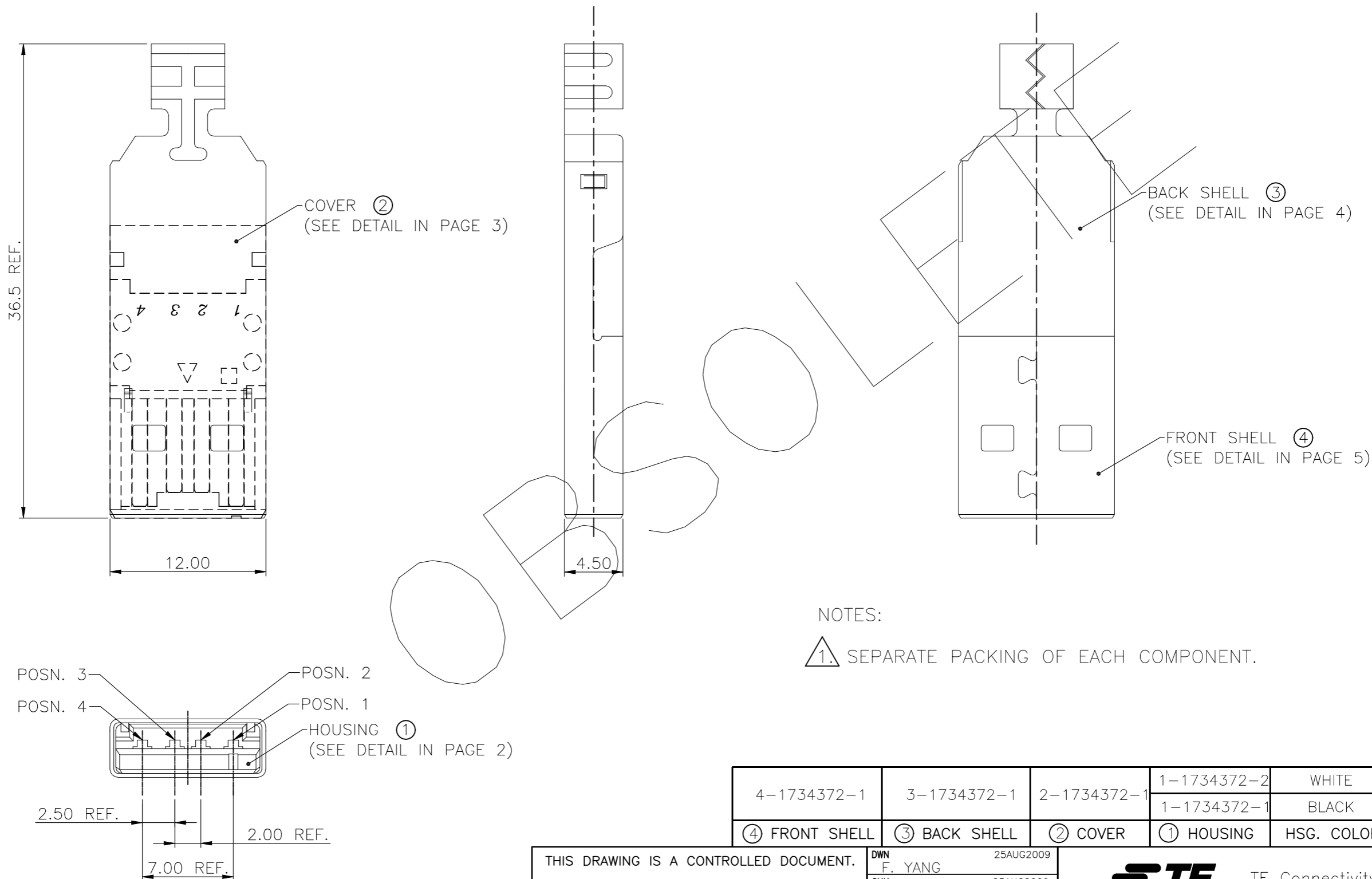
LOC
DW

DIST
/

REVISIONS

P	LTR	DESCRIPTION	DATE	DWN	APVD
	B	REVISED (ECO-11-013077)	23JUN11	JC	WK

ASSEMBLY CONDITION AS SHOWN.



NOTES:

①. SEPARATE PACKING OF EACH COMPONENT.

4-1734372-1	3-1734372-1	2-1734372-1	1-1734372-2	WHITE	① 1734372-2
			1-1734372-1	BLACK	① 1734372-1
④ FRONT SHELL	③ BACK SHELL	② COVER	① HOUSING	HSG. COLOR	PART NUMBER

THIS DRAWING IS A CONTROLLED DOCUMENT.		DWN F. YANG 25AUG2009	TE Connectivity			
DIMENSIONS: MM		CHK S. CHIEN 25AUG2009				
TOLERANCES UNLESS OTHERWISE SPECIFIED:		APVD W. KODAMA 25AUG2009	NAME			
0 PLC ± - 1 PLC ± 0.35 2 PLC ± 0.25 3 PLC ± 0.15 4 PLC ± - ANGLES ± 3°		PRODUCT SPEC 108-57547	USB OVERMOLD HARDWARE KIT SERIES A, SOLDER PLUG, LONG TYPE			
MATERIAL		APPLICATION SPEC	SIZE	CAGE CODE	DRAWING NO	RESTRICTED TO
FINISH		WEIGHT	A3	00779	C=1734372	-
CUSTOMER DRAWING			SCALE	SHEET	REV	
			-	1 OF 7	B	

4

3

2

1

THIS DRAWING IS UNPUBLISHED.

RELEASED FOR PUBLICATION

-, -.

© COPYRIGHT - BY -

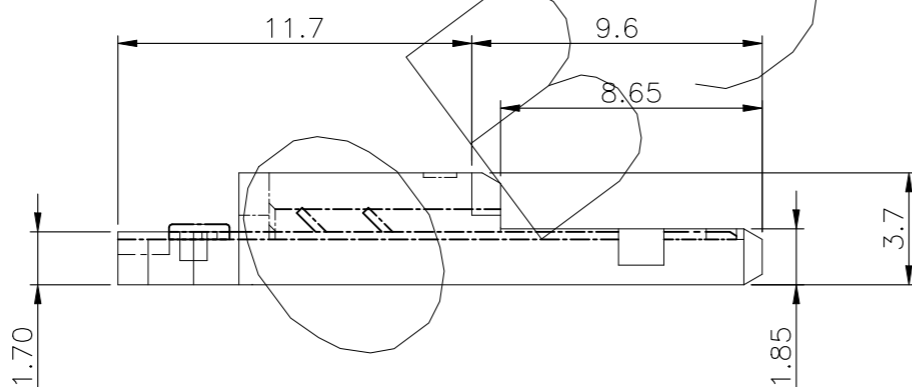
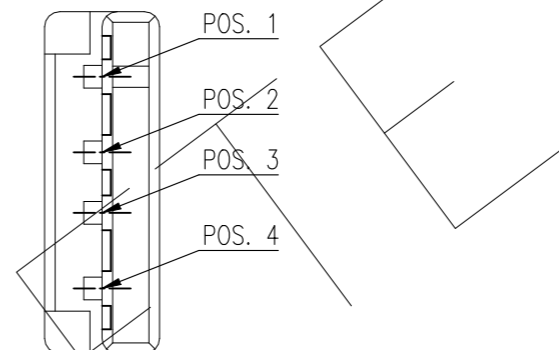
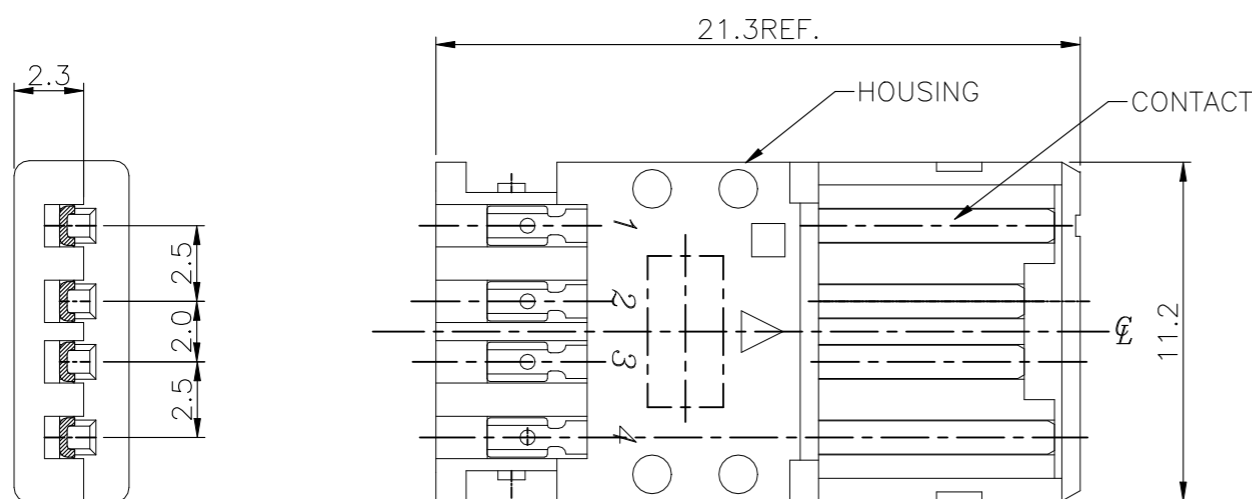
ALL RIGHTS RESERVED.

LOC
DW

DIST
/

REVISIONS

P	LTR	DESCRIPTION	DATE	DWN	APVD
		SEE SHEET 1.			



NOTES:

- MATERIAL:
HOUSING: THERMOPLASTIC, WITH 30% GLASS FILLED, UL 94V-0 RATED, COLOR: (SEE TABLE)
- FINISH :
CONTACT : 5μ" MIN. GOLD PLATED ON CONTACT AREA, 100μ" MIN. MATTE-TIN PLATING ON SOLDER TAILS, 50μ" MIN. NICKEL UNDERPLATED ALL OVER.

WHITE	1-1734372-2
BLACK	1-1734372-1
HSG. COLOR	PART NUMBER

THIS DRAWING IS A CONTROLLED DOCUMENT.		DWN	TE Connectivity		
DIMENSIONS: MM		CHK			
TOLERANCES UNLESS OTHERWISE SPECIFIED:		APVD	NAME		
0 PLC ± -		PRODUCT SPEC	USB OVERMOLD HARDWARE KIT		
1 PLC ± 0.35		APPLICATION SPEC	SERIES A, SOLDER PLUG,		
2 PLC ± 0.25			LONG TYPE		
3 PLC ± 0.15			SIZE	CAGE CODE	DRAWING NO
4 PLC ± -			A3	00779	C=1734372
ANGLES ± 3°			RESTRICTED TO		
MATERIAL	FINISH	WEIGHT	0.95 GRAMS		
SEE NOTE	SEE NOTE	CUSTOMER DRAWING	SCALE	SHEET	REV
			-	2 OF 7	B

4

3

2

1

THIS DRAWING IS UNPUBLISHED.

RELEASED FOR PUBLICATION

-, -.

ALL RIGHTS RESERVED.

© COPYRIGHT - BY -

LOC
DWDIST
/

REVISIONS

P	LTR	DESCRIPTION	DATE	DWN	APVD
		SEE SHEET 1.			

3.90 Ref
8.20

4.90
2.90
1.00
2.90

NOTES:
1. MATERIAL:
COVER: THERMOPLASTIC, WITH 30% GLASS FILLED,
UL 94V-0 RATED, COLOR: BLACK

11.20
9.30
4.50
3.70

2-1734372-1
PART NUMBER

THIS DRAWING IS A CONTROLLED DOCUMENT.		DWN				
DIMENSIONS: MM		CHK				
		APVD	NAME			
TOLERANCES UNLESS OTHERWISE SPECIFIED: 0 PLC ± - 1 PLC ± 0.35 2 PLC ± 0.25 3 PLC ± 0.15 4 PLC ± - ANGLES ± 3°		PRODUCT SPEC	USB OVERMOLD HARDWARE KIT SERIES A, SOLDER PLUG, LONG TYPE			
MATERIAL SEE NOTE		APPLICATION SPEC	SIZE	CAGE CODE	DRAWING NO	RESTRICTED TO
FINISH SEE NOTE		WEIGHT	A3	00779	C=1734372	-
CUSTOMER DRAWING			SCALE	SHEET	REV	
			-	3 OF 7	B	

1470-19 (3/11)

4

3

2

1

THIS DRAWING IS UNPUBLISHED.

RELEASED FOR PUBLICATION

-, -.

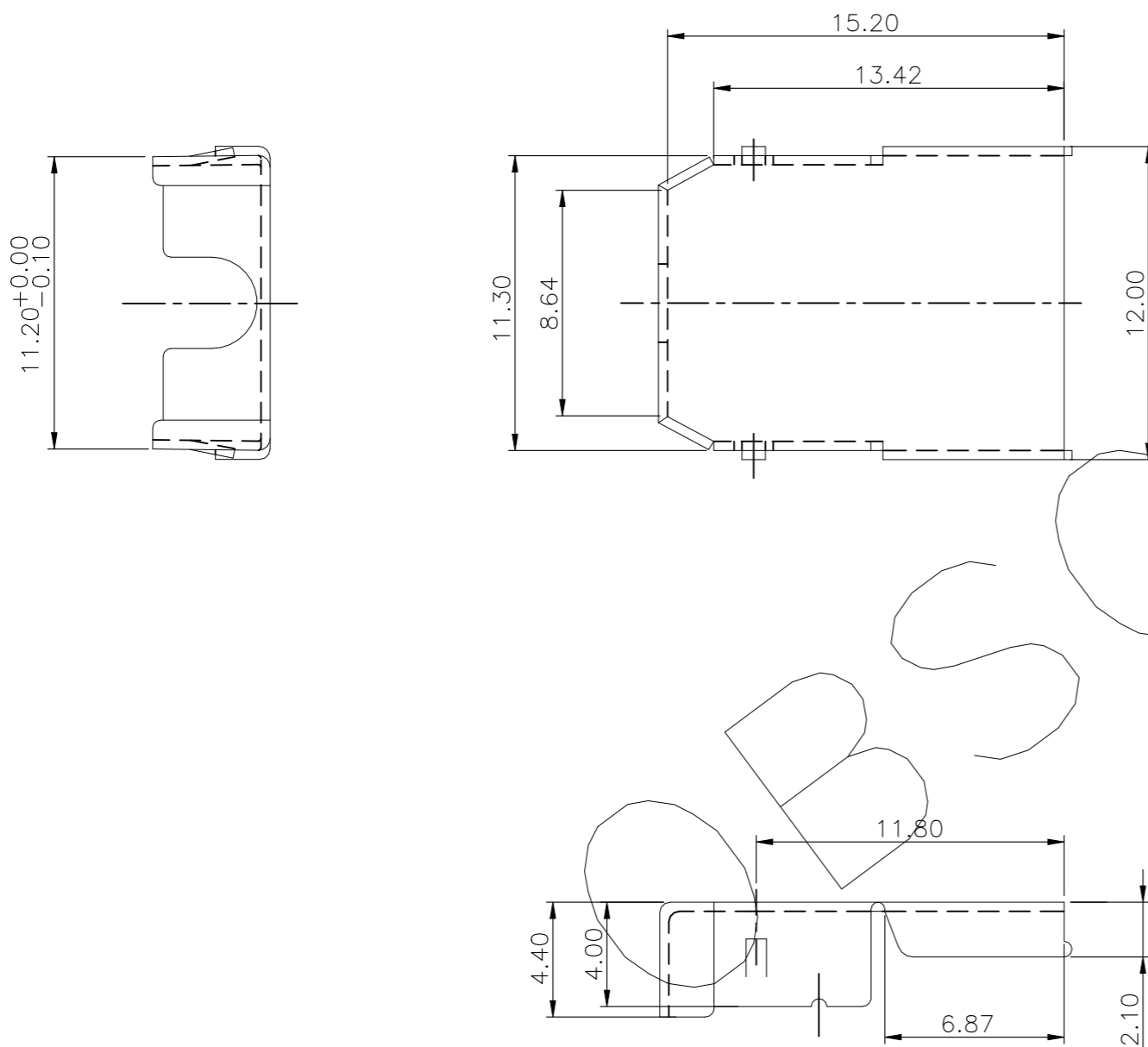
© COPYRIGHT - BY - ALL RIGHTS RESERVED.

LOC
DW

DIST
/

REVISIONS

P	LTR	DESCRIPTION	DATE	DWN	APVD
		SEE SHEET 1.			



NOTES:

- MATERIAL:
BACK SHELL: SPCC STEEL, THECKNESS=0.35±0.015mm.
- FINISH :
BACK SHELL: 120μ" MIN NICKEL PLATED OVER 100μ" MIN. Cu UNDERPLATED ALL OVER.

3-1734372-1
PART NUMBER

THIS DRAWING IS A CONTROLLED DOCUMENT.		DWN	TE Connectivity		
DIMENSIONS: MM		CHK			
TOLERANCES UNLESS OTHERWISE SPECIFIED:		APVD	NAME		
0 PLC ± -		PRODUCT SPEC	USB OVERMOLD HARDWARE KIT		
1 PLC ± 0.35		APPLICATION SPEC	SERIES A, SOLDER PLUG,		
2 PLC ± 0.25			SIZE	CAGE CODE	DRAWING NO
3 PLC ± 0.15			A3	00779	C=1734372
4 PLC ± -			WEIGHT	RESTRICTED TO	
ANGLES ± 3°			0.78 GRAMS	-	
MATERIAL	FINISH	CUSTOMER DRAWING		SCALE	SHEET
SEE NOTE	SEE NOTE			-	4 OF 7
				REV	B

4

3

2

1

THIS DRAWING IS UNPUBLISHED.

RELEASED FOR PUBLICATION

-, -.

LOC

DIST

REVISIONS

© COPYRIGHT - BY - ALL RIGHTS RESERVED.

P	LTR	DESCRIPTION	DATE	DWN	APVD
		SEE SHEET 1.			

SECTION A-A

NOTES:

1. MATERIAL:
FRONT SHELL: SPCC STEEL, THICKNESS=0.35±0.015mm.

2. FINISH :
FRONT SHELL: 120μ" MIN NICKEL PLATED OVER 100μ" MIN. Cu UNDERPLATED ALL OVER.

4-1734372-1

PART NUMBER

THIS DRAWING IS A CONTROLLED DOCUMENT.		DWN				
		CHK				
DIMENSIONS: MM 		APVD	NAME			
TOLERANCES UNLESS OTHERWISE SPECIFIED: 0 PLC ± - 1 PLC ± 0.35 2 PLC ± 0.25 3 PLC ± 0.15 4 PLC ± - ANGLES ± 3°		PRODUCT SPEC	USB OVERMOLD HARDWARE KIT SERIES A, SOLDER PLUG, LONG TYPE			
MATERIAL		APPLICATION SPEC	SIZE	CAGE CODE	DRAWING NO	RESTRICTED TO
SEE NOTE	FINISH	WEIGHT	A3	00779	C=1734372	-
SEE NOTE	SEE NOTE	CUSTOMER DRAWING	SCALE	SHEET	REV	
			-	5 OF 7	B	

1470-19 (3/11)

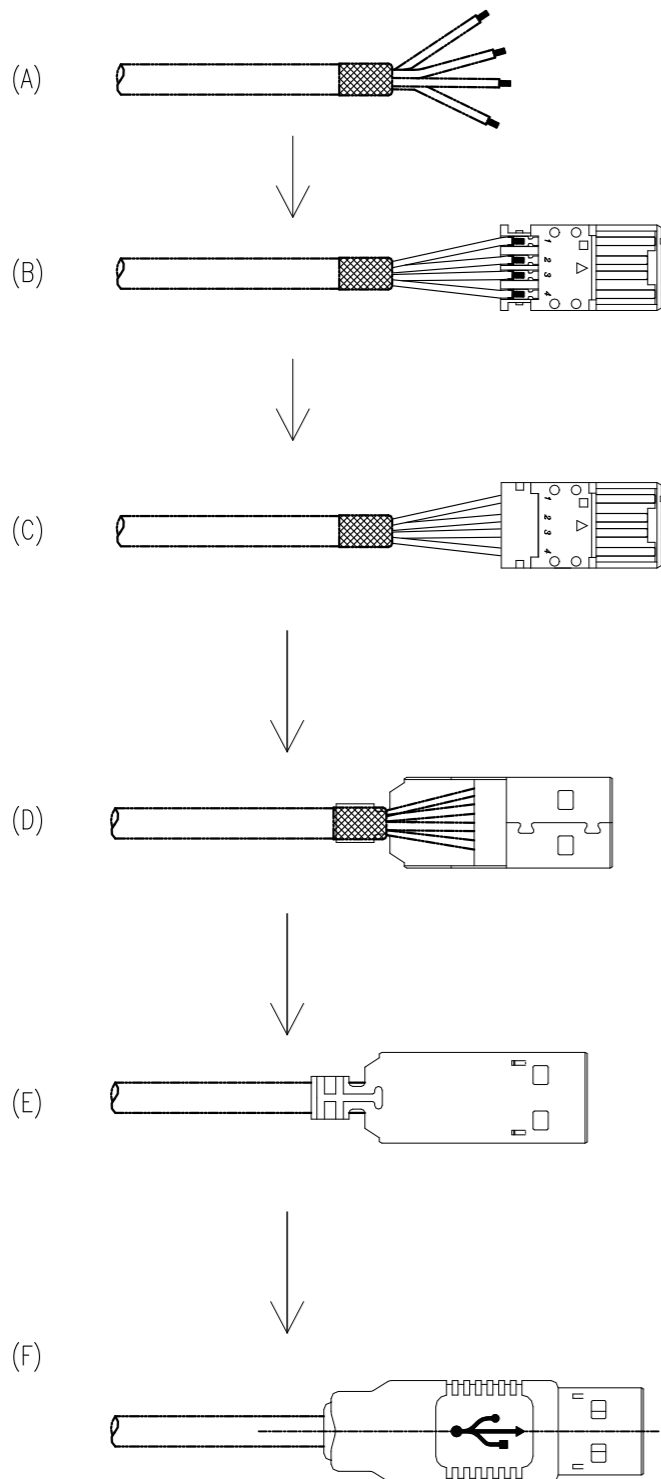
THIS DRAWING IS UNPUBLISHED. RELEASED FOR PUBLICATION

© COPYRIGHT BY ALL RIGHTS RESERVED.

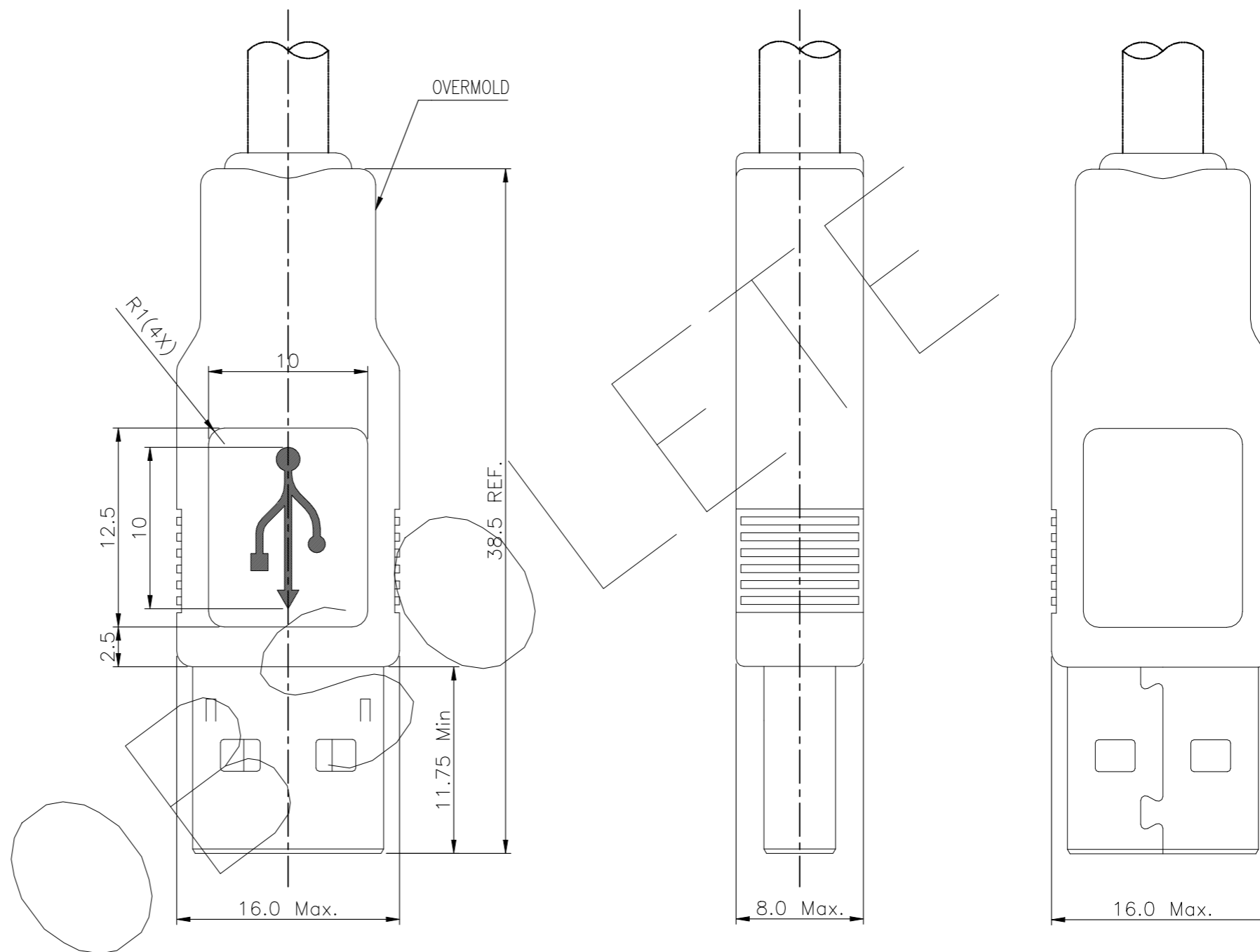
LOC DW DIST

REVISIONS

P	LTR	DESCRIPTION	DATE	DWN	APVD
		SEE SHEET 1.			



ASSEMBLY PROCESS SCALE 1:1



RECOMMENDED OVERMOLD DIMENSION

THIS DRAWING IS A CONTROLLED DOCUMENT.		DWN		TE Connectivity	
DIMENSIONS: MM		CHK			
TOLERANCES UNLESS OTHERWISE SPECIFIED:		APVD		NAME	
0 PLC ± -		PRODUCT SPEC		USB OVERMOLD HARDWARE KIT	
1 PLC ± 0.35		APPLICATION SPEC		SERIES A, SOLDER PLUG, LONG TYPE	
2 PLC ± 0.25		WEIGHT		SIZE	CAGE CODE
3 PLC ± 0.15		CUSTOMER DRAWING		A3	00779
4 PLC ± -		SCALE		DRAWING NO	
ANGLES ± 3°		SHEET		C=1734372	
MATERIAL SEE NOTE		REV		RESTRICTED TO	
FINISH SEE NOTE		6 OF 7		-	

THIS DRAWING IS UNPUBLISHED.

RELEASED FOR PUBLICATION

-, -.

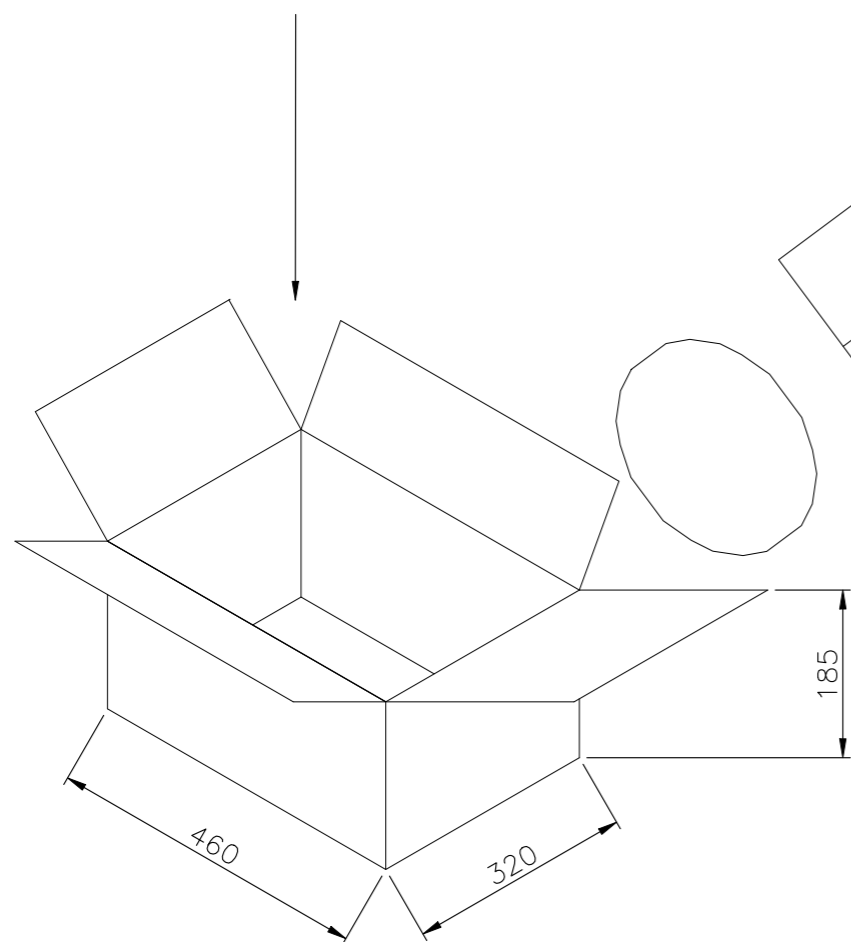
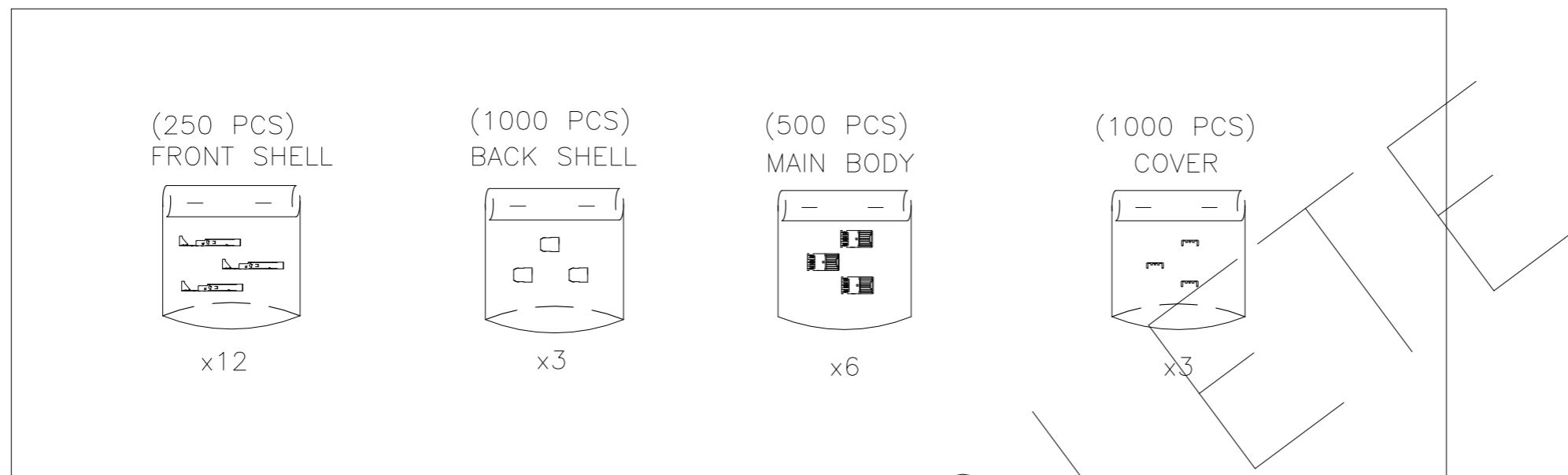
© COPYRIGHT - BY - ALL RIGHTS RESERVED.

LOC DW

DIST

REVISIONS

P	LTR	DESCRIPTION	DATE	DWN	APVD
		SEE SHEET 1.			



NOTES:

- MATERIAL:
SHIPPING BOX : CORRUGATED FIBER.
- DIMENSION :
BAG : L=300mm , W=185mm , THICKNESS=0.1mm
SHIPPING BOX : L=320 , W=460 , H=185
- QUANTITY :
FRONT SHELL PACKING : 250 PCS/BAG
BACK SHELL PACKING : 1000 PCS/BAG
MAIN BODY PACKING : 500 PCS/BAG
COVER PACKING : 1000 PCS/BAG
SECUNARY PACKING : 3000 SETS/SHIPPING BOX
- WEGHT :
NET WIGHT : 11.70 KG/SHIPPING BOX
GROSS WIGHT : 12.50 KG/SHIPPING BOX

3000 PCS	3000 PCS	3000 PCS	3000 PCS	12.50	11.70
FRONT SHELL	BACK SHELL	COVER	HOUSING	G/W (Kg)	N/W (Kg)

THIS DRAWING IS A CONTROLLED DOCUMENT.		DWN			
DIMENSIONS: MM		CHK			
TOLERANCES UNLESS OTHERWISE SPECIFIED:		APVD		NAME	
0 PLC ± - 1 PLC ± - 2 PLC ± - 3 PLC ± - 4 PLC ± - ANGLES ± -		PRODUCT SPEC		USB OVERMOLD HARDWARE KIT SERIES A, SOLDER PLUG, LONG TYPE	
MATERIAL		APPLICATION SPEC		SIZE	RESTRICTED TO
FINISH		WEIGHT		A3	
		CUSTOMER DRAWING		CAGE CODE	DRAWING NO
				00779	1734372
		SCALE		SHEET	REV
		-		7 OF 7	B