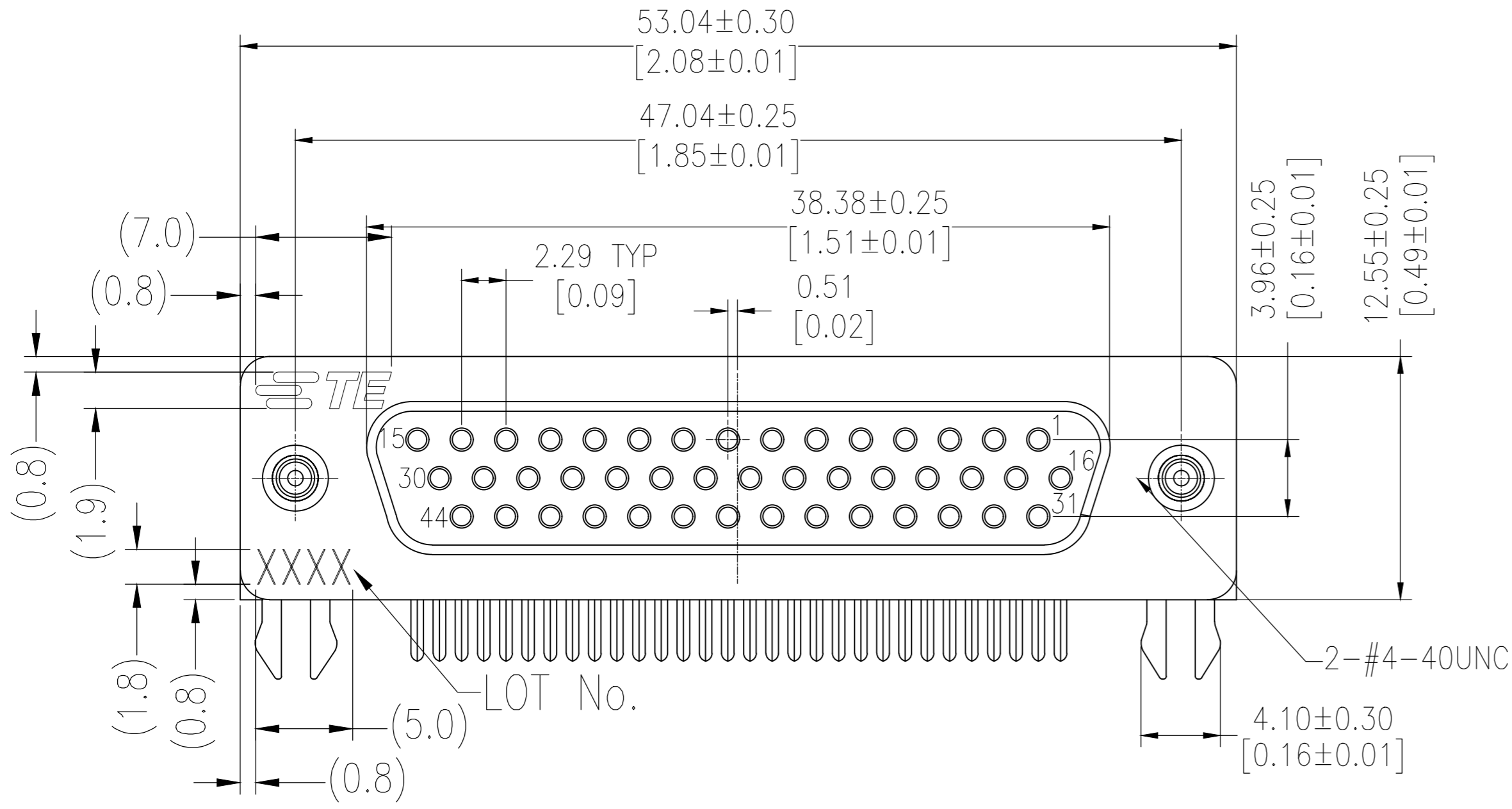
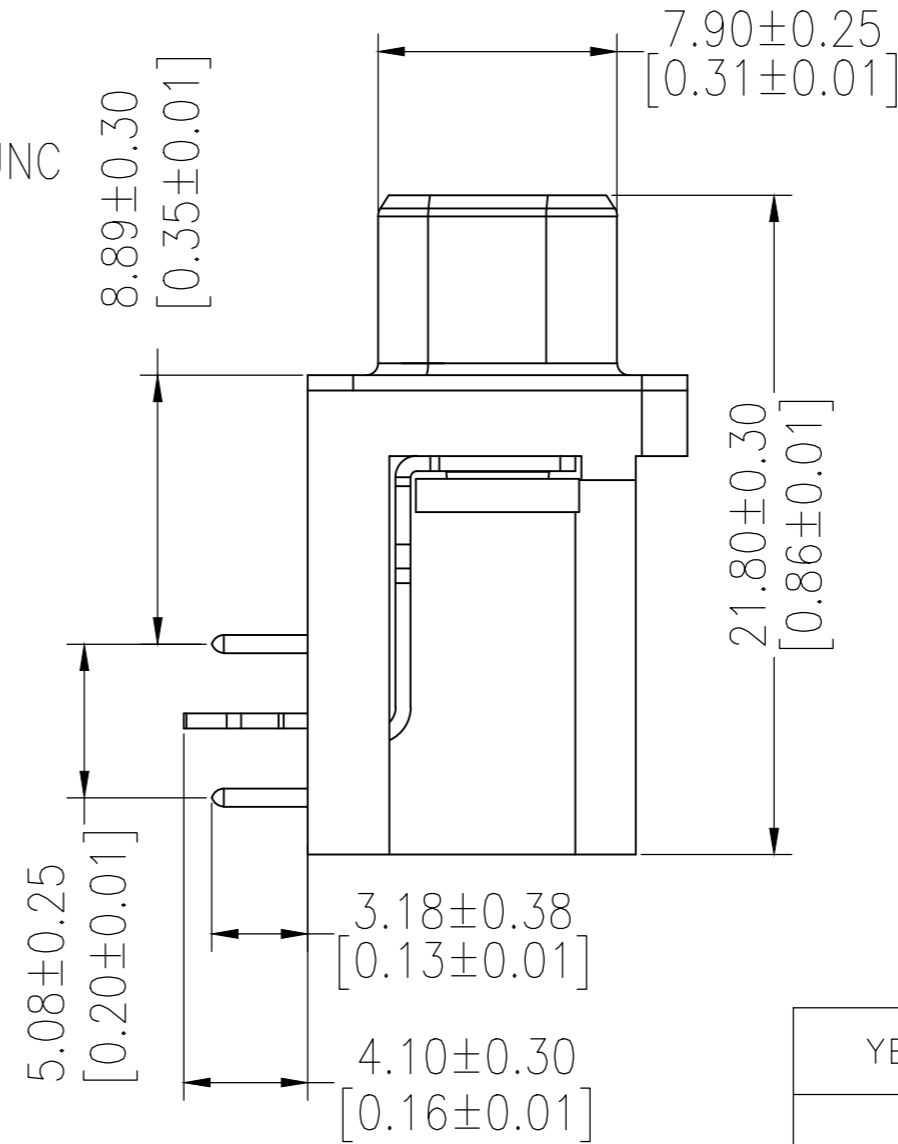
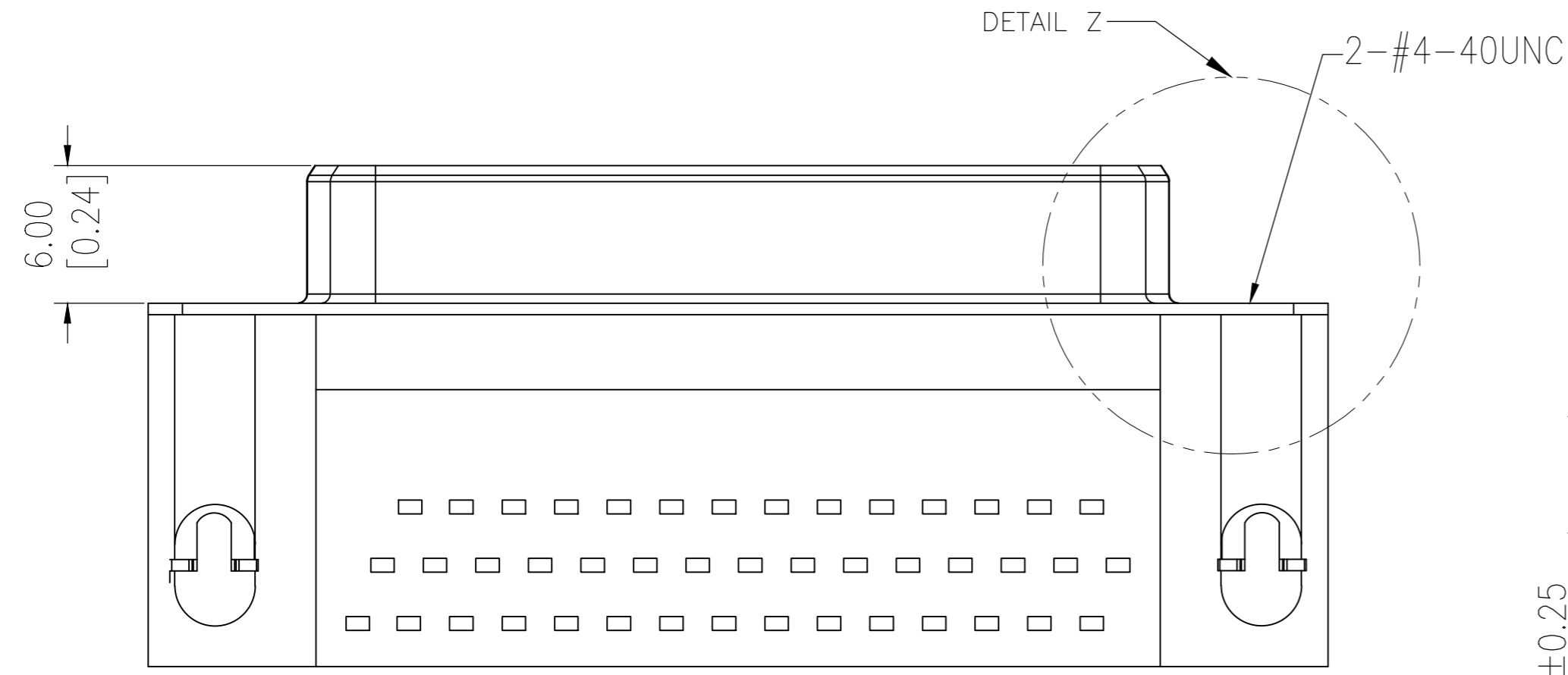
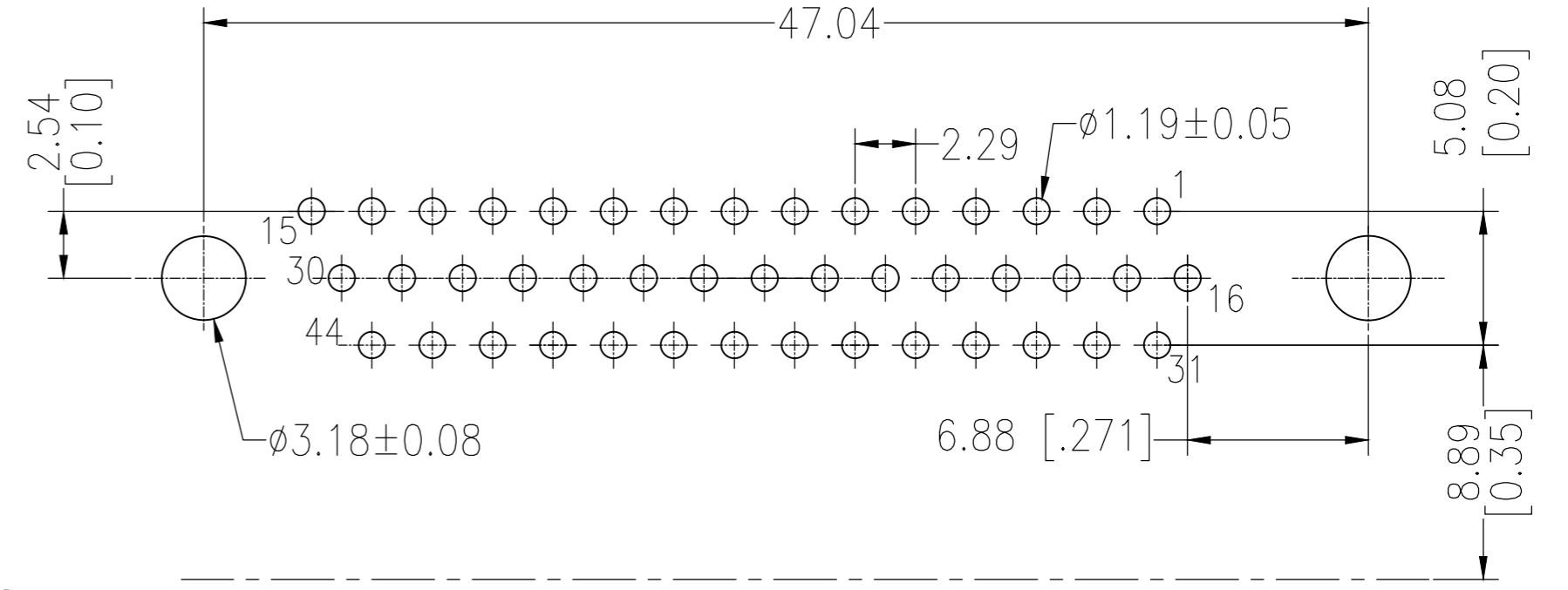


THIS DRAWING IS UNPUBLISHED. RELEASED FOR PUBLICATION  
 © COPYRIGHT - TE Connectivity ALL RIGHTS RESERVED.

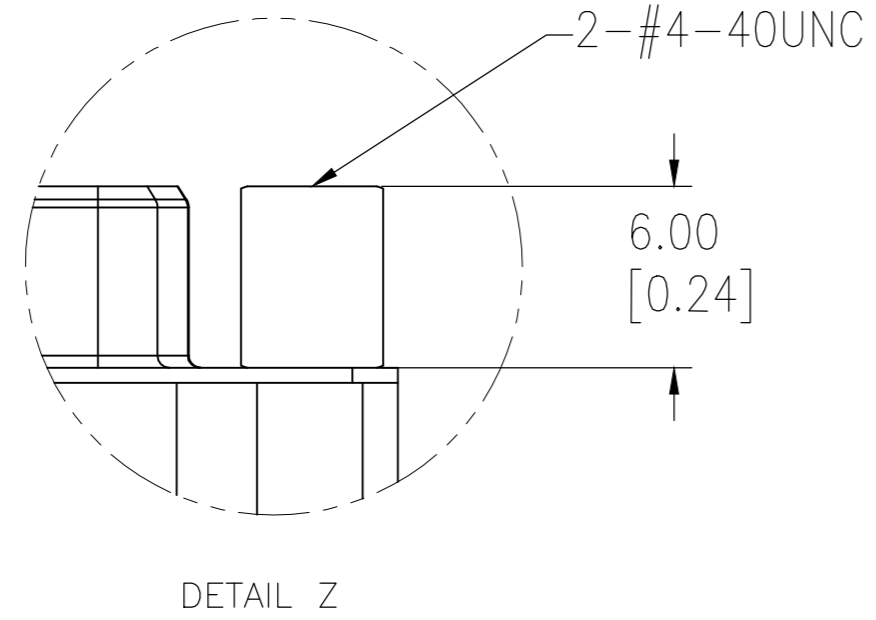
REVISIONS					
P	LTR	DESCRIPTION	DATE	DWN	APVD
E		REVISED PER ECO-18-008015	24MAY2018	AP	DG



Recommended P.C.B Layout(Top Side)  
 (PCB BOARD TOLERANCE±0.05)



NOTES:  
 Insulator:PBT+G.F UL94V-0 BLACK  
 Contact:PHOSPHOR BRONZE  
 " GOLD PLATING ON CONTACT AREA  
 100u" MATTE TIN PLATING ON SOLDER TAIL  
 50u" NICKEL UNDERPLATED OVERALL  
 Holddown:Brass,100u" TIN OVER 50u" NICKEL  
 Sheel: Cold Roller Steel,Ni Plated  
 Rivetlock:Brass,Nickel Plated  
 LOT NUMBER "XXXX"  
 Stands For Calendar Year  
 Stands For Week Number



YES SEE DETAIL Z	15μ" Au	2311770-2
THREADED	30μ" Au	2311770-1
SCREWLOCK	Contact Area	P/N
	Plating	

THIS DRAWING IS A CONTROLLED DOCUMENT.		DWN AJITH PAI 13MAR2017	TE Connectivity	
DIMENSIONS: mm		CHK DANIEL GORENC 13MAR2017	NAME AMPLIMITE RECEPTACLE, HD22, RIGHT ANGLE, 44P	
TOLERANCES UNLESS OTHERWISE SPECIFIED: 0 PLC ± - 1 PLC ± - 2 PLC ± 0.25 3 PLC ± - 4 PLC ± - ANGLES ± -		APVD DANIEL GORENC 13MAR2017	PRODUCT SPEC 108-130023	
MATERIAL		FINISH	WEIGHT	RESTRICTED TO
			SCALE A2 00779 C=2311770	1 of 1
CUSTOMER DRAWING		SCALE 1:1	SHEET 1 of 1	REV E