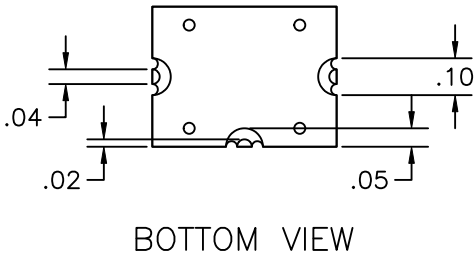
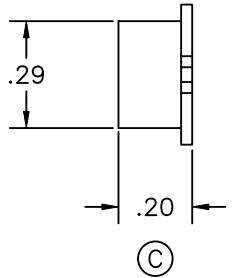
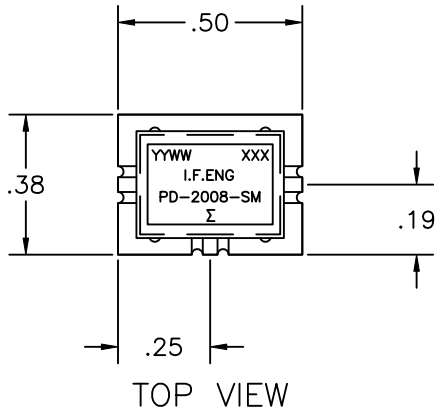


THIS DOCUMENT CONTAINS PROPRIETARY INFORMATION. ANY REPRODUCTION, DISCLOSURE, OR USE OF ITS CONTENTS IS EXPRESSLY PROHIBITED EXCEPT AS AUTHORIZED BY I.F. Engineering Corp



REVISION			
LTR.	DESCRIPTION	DATE	APPVL.
-	Released	7/18/02	LCF
A	PORT NOS. MOVED TO OUTSIDE OF PART; UPDATED FORMAT	11/30/04	MJD
B	REVISED FINISH; UPDATED FORMAT	07/29/05	MJD
C	ADDED DIMENSION	02/17/06	MJD
D	NEW PACKAGE	09/13/07	MJD
E	PER ECN 0824001: 'RoHS Compliant' LOGO ADDED	06/13/08	MJD
F	ECO 2109001	03/09/21	GB

ELECTRICAL SPECIFICATION	
TWO WAY POWER DIVIDER	
FREQUENCY RANGE (MHZ)	20-3000
ISOLATION (dB) MIN.	18
INSERTION LOSS (dB) MAX.	2.0
AMPLITUDE BAL. (dB) MAX.	±0.3
PHASE BAL. (°) MAX.	±10.0
VSWR MAX.	
IN	1.5:1
OUT	1.5:1
IMPEDANCE (OHMS) NOM.	50
TEMPERATURE RANGE (°C)	0 TO +50

RoHS Compliant

UNLESS OTHERWISE SPECIFIED DIMENSIONS MEASURED IN INCHES DRAWING PRACTICES PER ASME Y14.100
TOLERANCES ANGLES ±1/2° .XX ±.01 .XXX ±.005
MATERIAL: SEE NOTE 1
FINISH: SEE NOTE 2

DRAWN	DATE
LCF	7/18/02
ENGRG APPD	DATE
MFG APPD	DATE
QA APPD	DATE
RELEASED	DATE

I.F.E ENGINEERING
3 FOSHAY ROAD, DUDLEY MA 01571

TITLE
OUTLINE DRAWING
PD-2008-SM

SIZE	CODE IDENT NO.	DRAWING NO.	REV.
A	OUF A1	002-113-181	F
SCALE	2:1	SHEET 1 OF 1	

NOTE:
SPECIFICATION SUBJECT TO CHANGE WITHOUT NOTICE