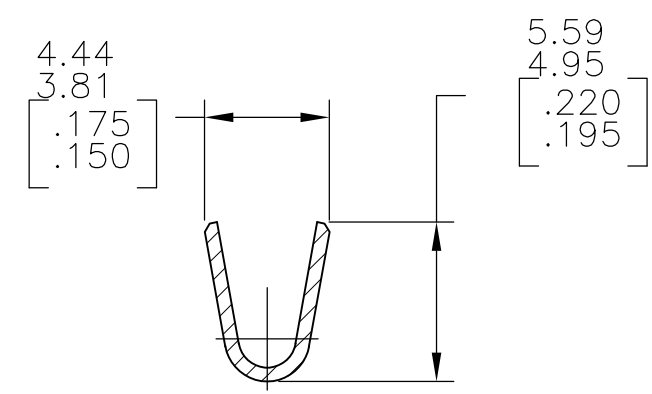
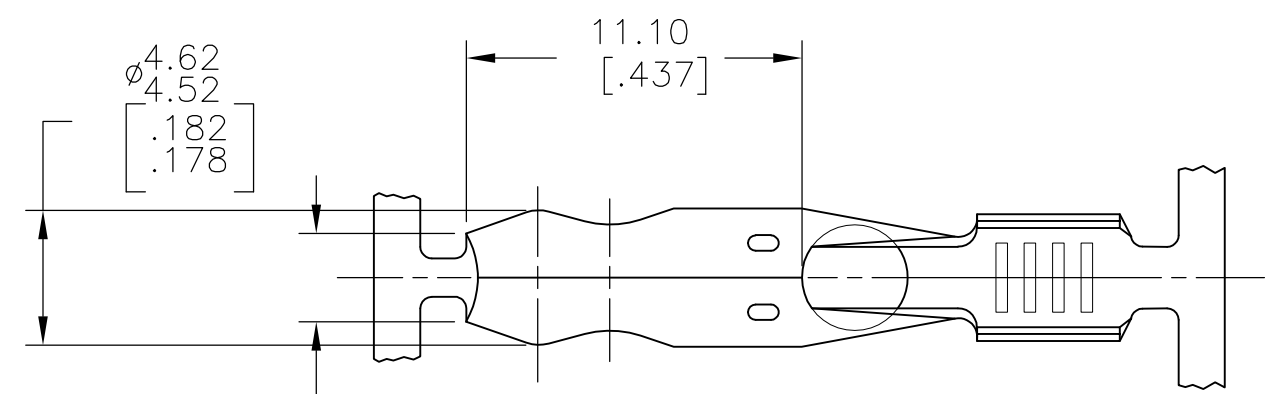


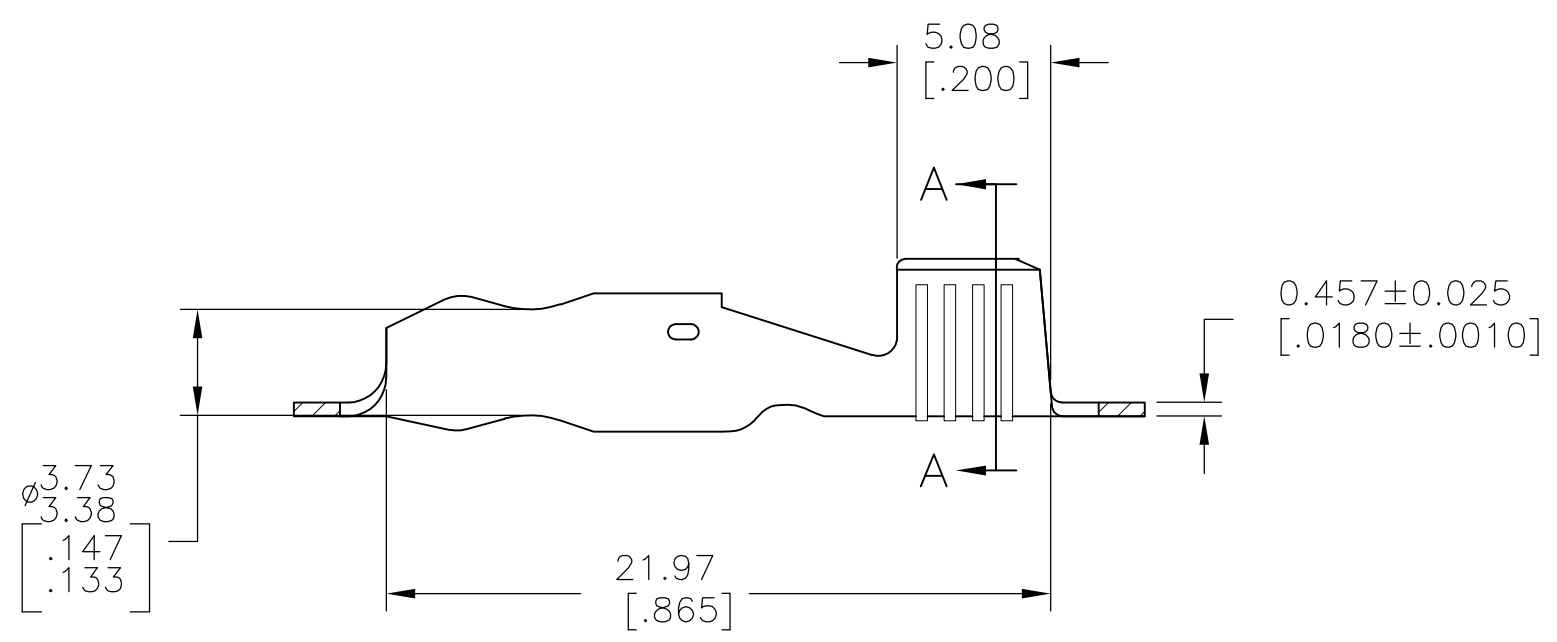
THIS DRAWING IS UNPUBLISHED. RELEASED FOR PUBLICATION  
 © COPYRIGHT - BY TYCO ELECTRONICS CORPORATION. ALL INTERNATIONAL RIGHTS RESERVED.

LOC	DIST	REVISIONS			
P	LTR	DESCRIPTION	DATE	DWN	APVD
AF	50	B1	REDRAWN PER ECR-08-032847	09FEB09	HMR JR

1 CONTINUOUS STRIP ON REEL.



SECTION A-A



[14-10] AWG	63989-1
WIRE RANGE	PART NUMBER

THIS DRAWING IS A CONTROLLED DOCUMENT.		DWN RAGHAVENDRA 09FEB09	Tyco Electronics Corporation Harrisburg, PA 17105-3608	
DIMENSIONS: mm [INCHES]		CHK JEFF RUTH 09FEB09		
TOLERANCES UNLESS OTHERWISE SPECIFIED:		APVD DON DECKER 09FEB09	NAME	
0 PLC ± - 1 PLC ± - 2 PLC ± - 3 PLC ± 0.25[.010] 4 PLC ± - ANGLES ± -		PRODUCT SPEC	SHUR PLUG, 4.57[.180] DIA	
MATERIAL 081 BRASS		FINISH 0.003302[.000130] MAX PRE-TIN PER ASTM-B545	APPLICATION SPEC	RESTRICTED TO
		WEIGHT -	SIZE A3	CAGE CODE 00779
		CUSTOMER DRAWING	DRAWING NO C-63989	SCALE 4:1
			SHEET 1 OF 1	REV B1