

MICRO SWITCH

SWITCH - ENCLOSED

CATALOG LISTING
151ML1

THIS DRAWING COVERS A PROPRIETARY ITEM AND IS THE PROPERTY OF MICRO SWITCH A DIVISION OF HONEYWELL THIS DRAWING IS NOT TO BE COPIED OR USED WITHOUT THE APPROVAL OF MICRO SWITCH



OPERATING HEAD MOUNTS IN ANY OF FOUR POSITIONS

ROLLER LEVER MAY BE REVERSED

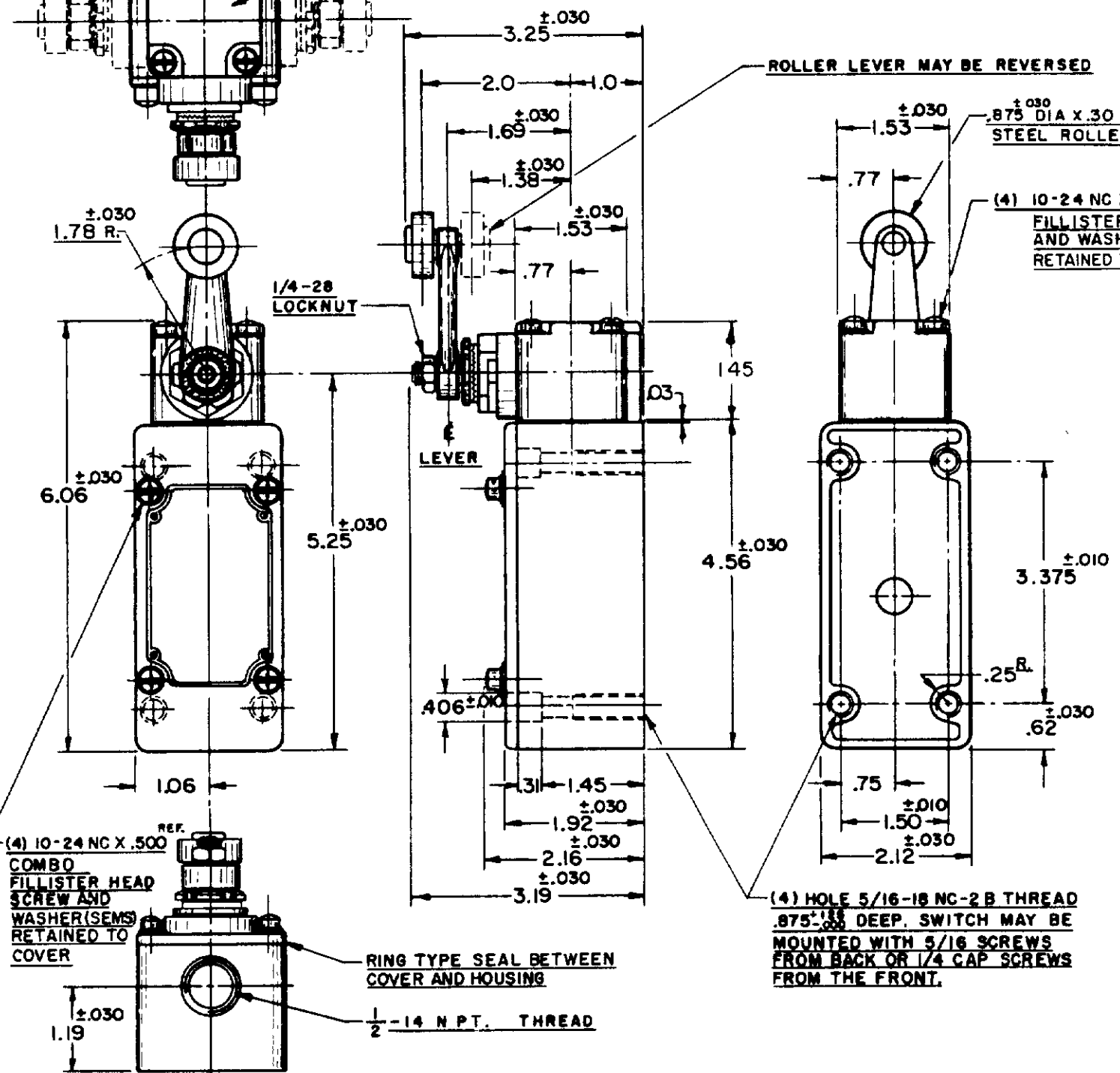
OPERATING POSITION

FREE POSITION

OPERATING POSITION

RELEASE POSITION

RELEASE POSITION



NOTES

- 1 - IT IS ESSENTIAL TO PREVENT ENTRANCE OF HARMFUL AGENTS THRU THE CONDUIT OPENING TO OBTAIN THE FULL BENEFIT OF THE SEALED CONSTRUCTION PROVIDED IN THIS UNIT
- 2 - SWITCH IS ASSEMBLED FOR ACTUATION IN EITHER DIRECTION
- 3 - LEVER MAY BE POSITIVELY LOCKED AT INTERVALS OF APPROX 0.4° (870 POSITIONS)
- 4 - LEVER MAY BE ADJUSTED TO ACTUATE THE SWITCH IN THE CLOCKWISE DIRECTION ONLY, THE COUNTER-CLOCKWISE DIRECTION ONLY, OR IN BOTH DIRECTIONS
- 5 - TO CONVERT SWITCH FOR ACTUATION IN EITHER CLOCKWISE OR COUNTER-CLOCKWISE DIRECTION ONLY, REMOVE THE HEAD AND SLIDE THE CAM TOWARD THE REAR OF THE HEAD SUFFICIENTLY TO DISENGAGE FROM THE FLATS ON THE SHAFT. ROTATE THE CAM 90° IN THE OPPOSITE DIRECTION OF THE ACTUATION DESIRED AND RE-ENGAGE THE CAM WITH THE FLATS ON THE SHAFT

CHARACTERISTICS

OPERATING FORCE-----3 LBS. MAX.
 FULL OVERTRAVEL FORCE-----4 LBS. MAX.
 RELEASE FORCE-----1/4 LB. MIN.
 PRETRAVEL-----③-----15° MAX.
 DIFFERENTIAL TRAVEL-----④-----7° MAX.
 OVERTRAVEL-----⑤-----60° MIN.

SWITCH-BASIC REPLACEMENT-----IMNI

ELECTRICAL DATA (IMNI)

CONTACT ARRANGEMENT
 TWO CIRCUIT DOUBLE THROW
 DOUBLE BREAK

② 10A-120, 240, 480, OR 600 VAC
 1/2 HP-120 VAC, 1 HP-240 VAC
 0.8 A-115 VDC, 0.4 A-230 VDC
 PILOT DUTY 600 VAC MAX

SCALE 1/2 TO 1

DO NOT SCALE PRINT

UNLESS OTHERWISE SPECIFIED
 DIMENSIONS ARE IN INCHES
TOLERANCES ARE

ONE PLACE (.0)	±.000
TWO PLACE (.00)	±.005
THREE PLACE (.000)	±.000
ANGLED	±

WEIGHT



151ML1
 DRAWING NUMBER
 ISSUE
 REVISIONS
 A CO11247
 D M W 12 MAR 58
 B CO12789
 M B F 15 MAY 58
 C CO18841
 H B W 21 JAN 59
 D CO20578
 M B F DEC 59
 E CO28084
 M B F 25 JUNE 69
 F CO 52124-D
 T S X 23 SEPT 83
 G CO55051-B
 J A P 17 DEC 84
 H CO74287
 G J W 22 APR 93
 Q M W 12 MAR 58
 CHECK GCH APR 58
 CHECK K.F.M. 4 APR 58
 RELEASE NO. 58
 (M) 151ML1 ISSUE 4
 REPLACES
 DRAWN
 FO-80378 003