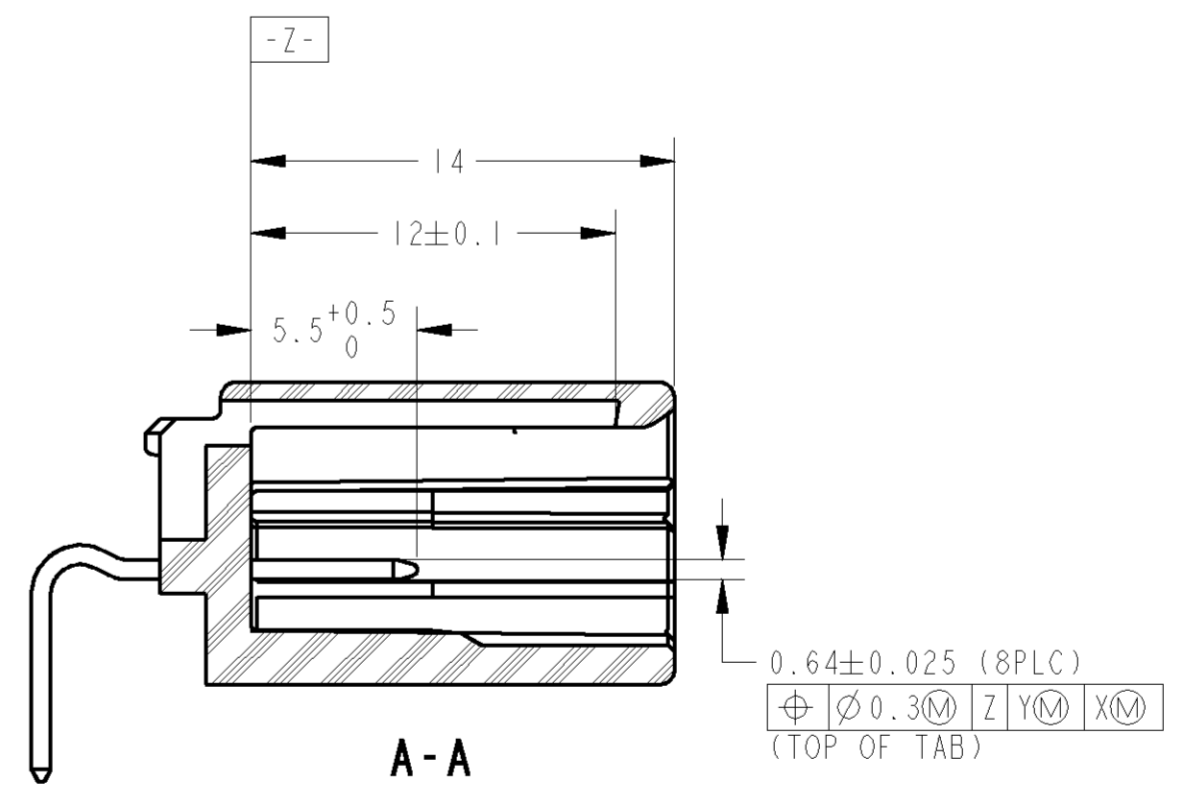
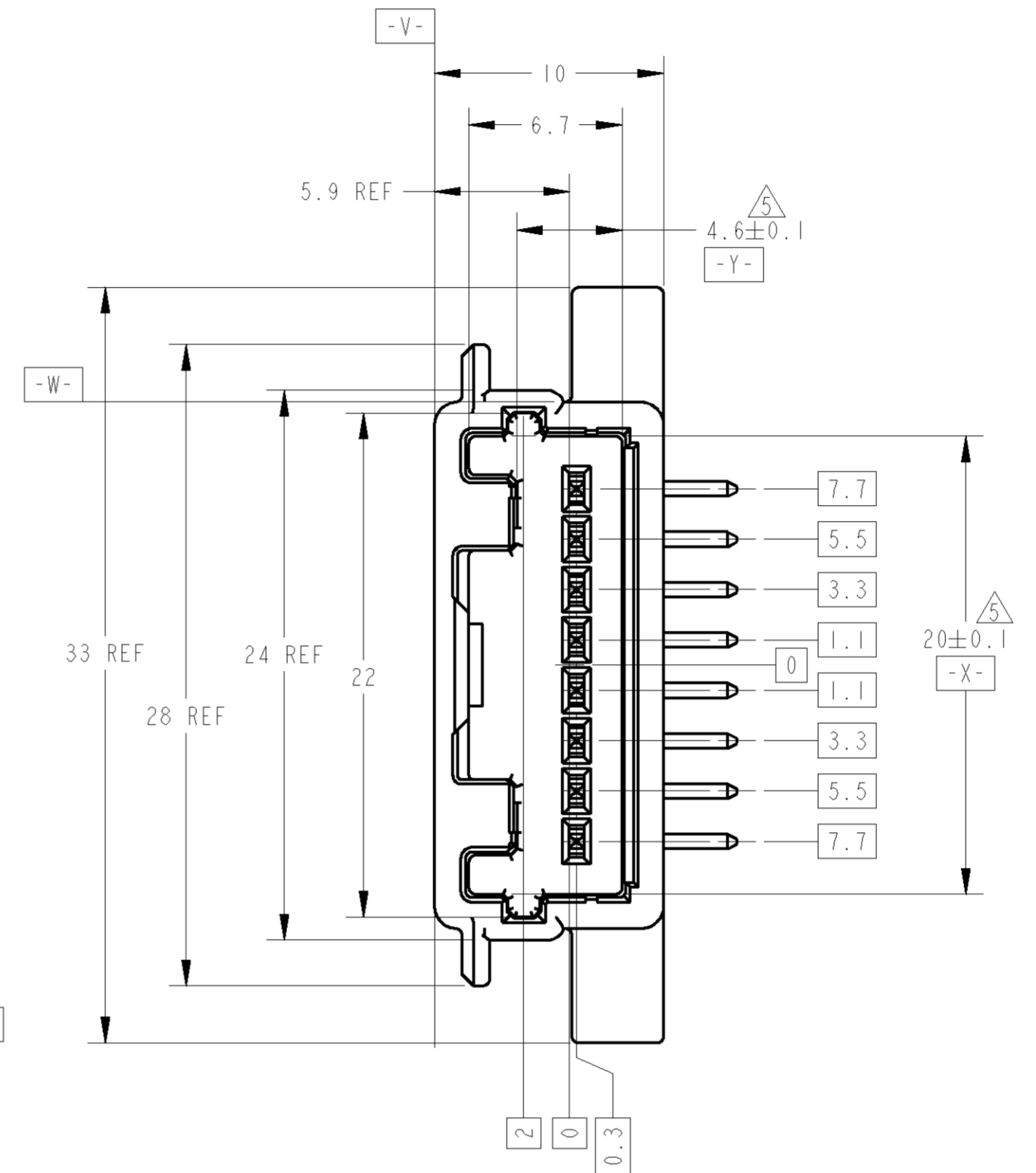
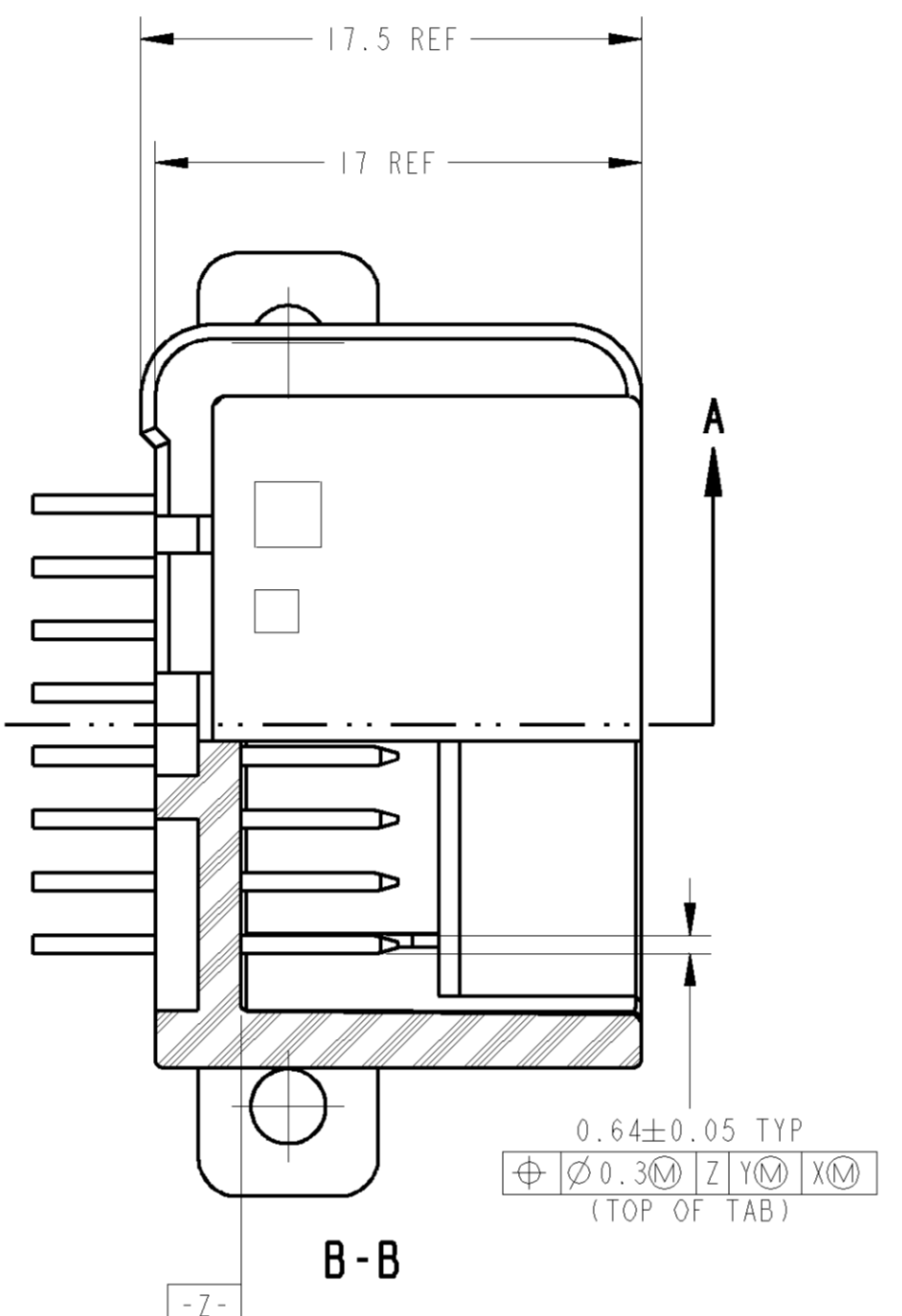
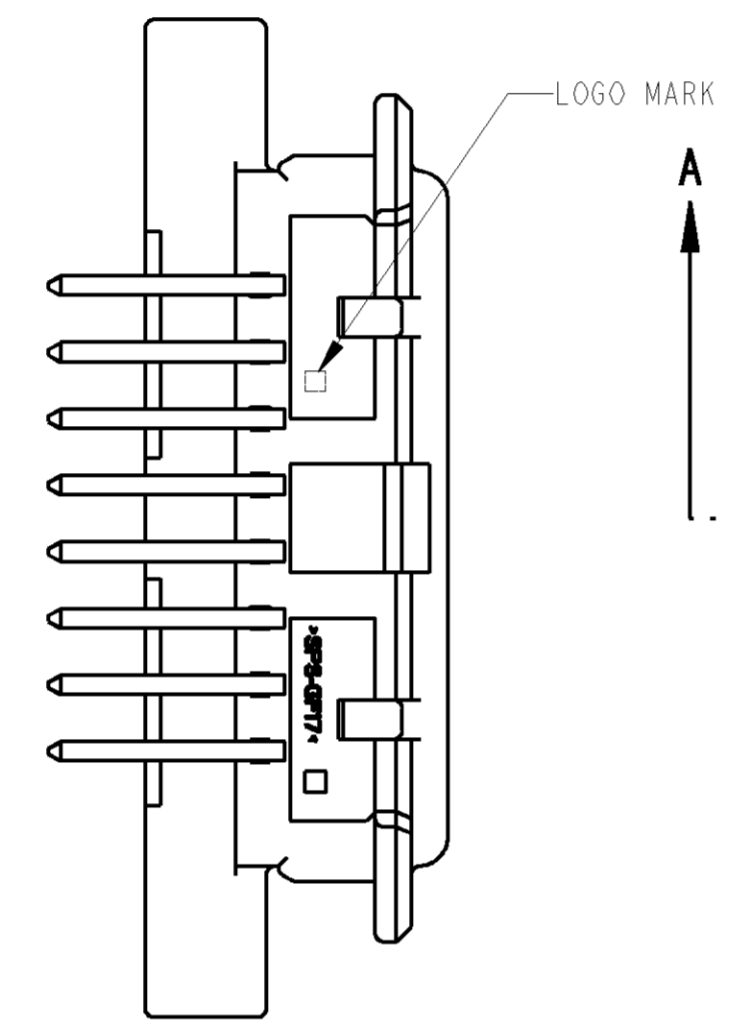
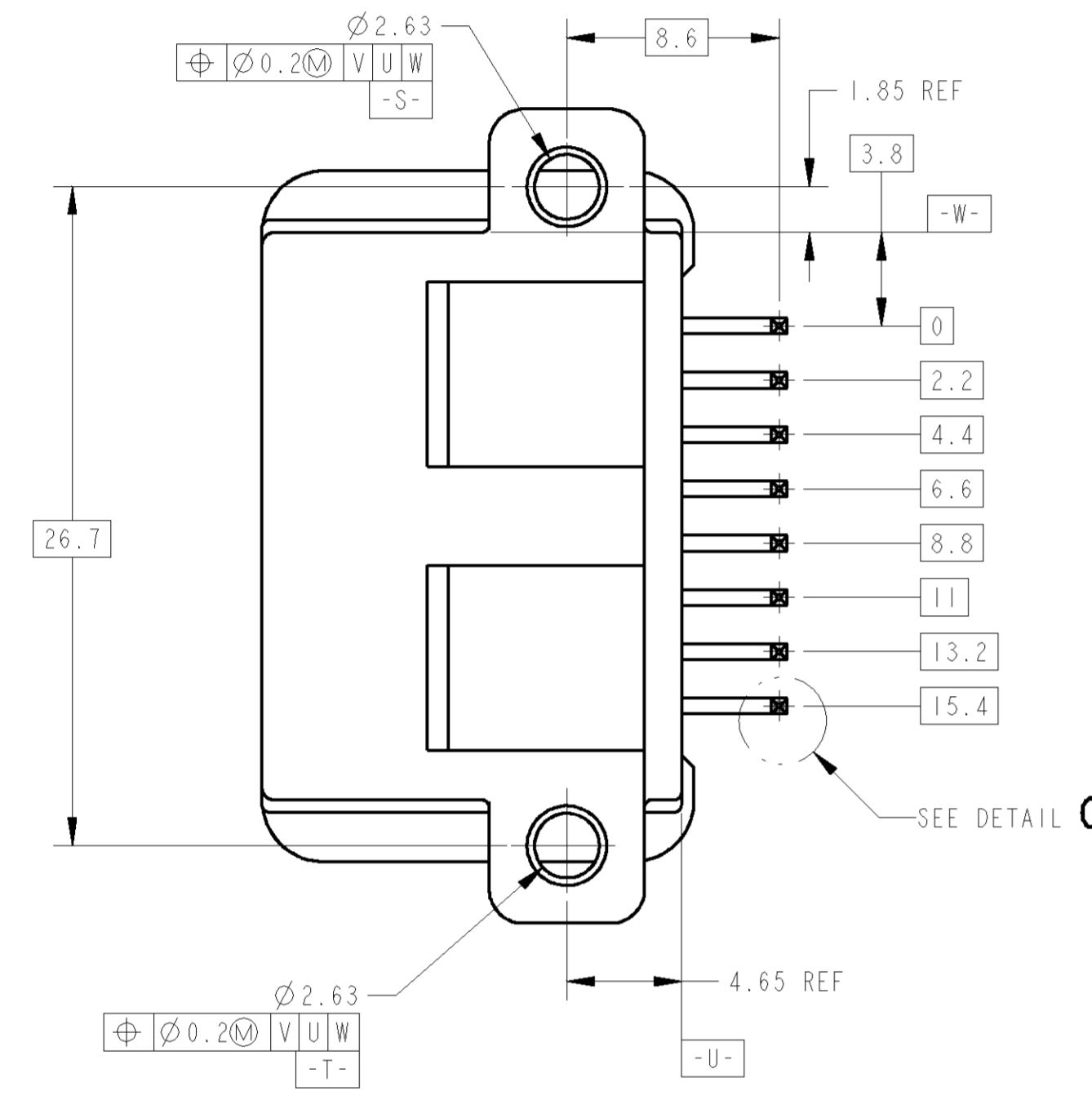


DETAIL C  
SCALE 20:1



1. 適合相手コネクタ品番: TABLE-1参照
2. 適用プリント基板: 板厚はTABLE-2参照
3. 適用ねじ: JIS B1115, B1122タッピングねじ, ねばり種, 呼び径3mm 長さTABLE-2参照  
ねじ締めトルク管理値(参考値)0.4±0.05N・m  
但し, AMP詳細用ねじと基板の組みあわせの場合である  
よって, 管理値は別途規定すること
- ④ 4. 本製品の取扱いについては, 取扱説明書411-78080に準ずること  
△. [-Z-] より6mmの位置で測定

1. MATING CONNECTOR PART No. : SEE TABLE-1
2. APPLICABLE PRINTED CIRCUIT BOARD : SEE TABLE-2 FOR THICKNESS
3. APPLICABLE SCREW : PAN-HEADED,  
TYPE 2 TAPPING SCREW OF NOMINAL DIAMETER 3mm REFER TO JIS B1115, B1122  
LENGTH: SEE TABLE-2  
FASTENING TORQUE (FOR REFERENCE): 0.392N・m MAX  
BUT, THIS IS VALUE FOR COMBINATION OF TAPPING SCREW FOR TESTING  
AND PCB FOR TESTING.  
SO, TORQUE FOR OPERATION SHOULD BE PROVIDED RESPECTIVELY
- ④ 4. AS FOR THE HANDLING OF THIS PRODUCT,  
FOLLOW THE INSTRUCTION SHEET NO. 411-78080.  
△. MEASURED AT 6mm FROM [-Z-]

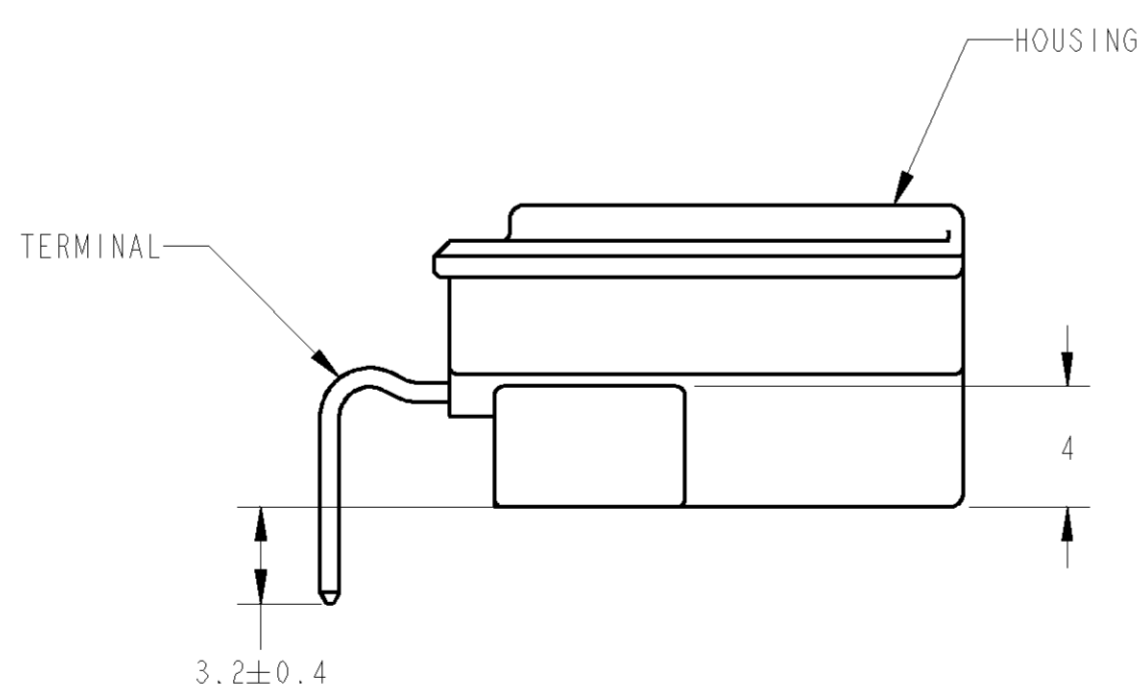


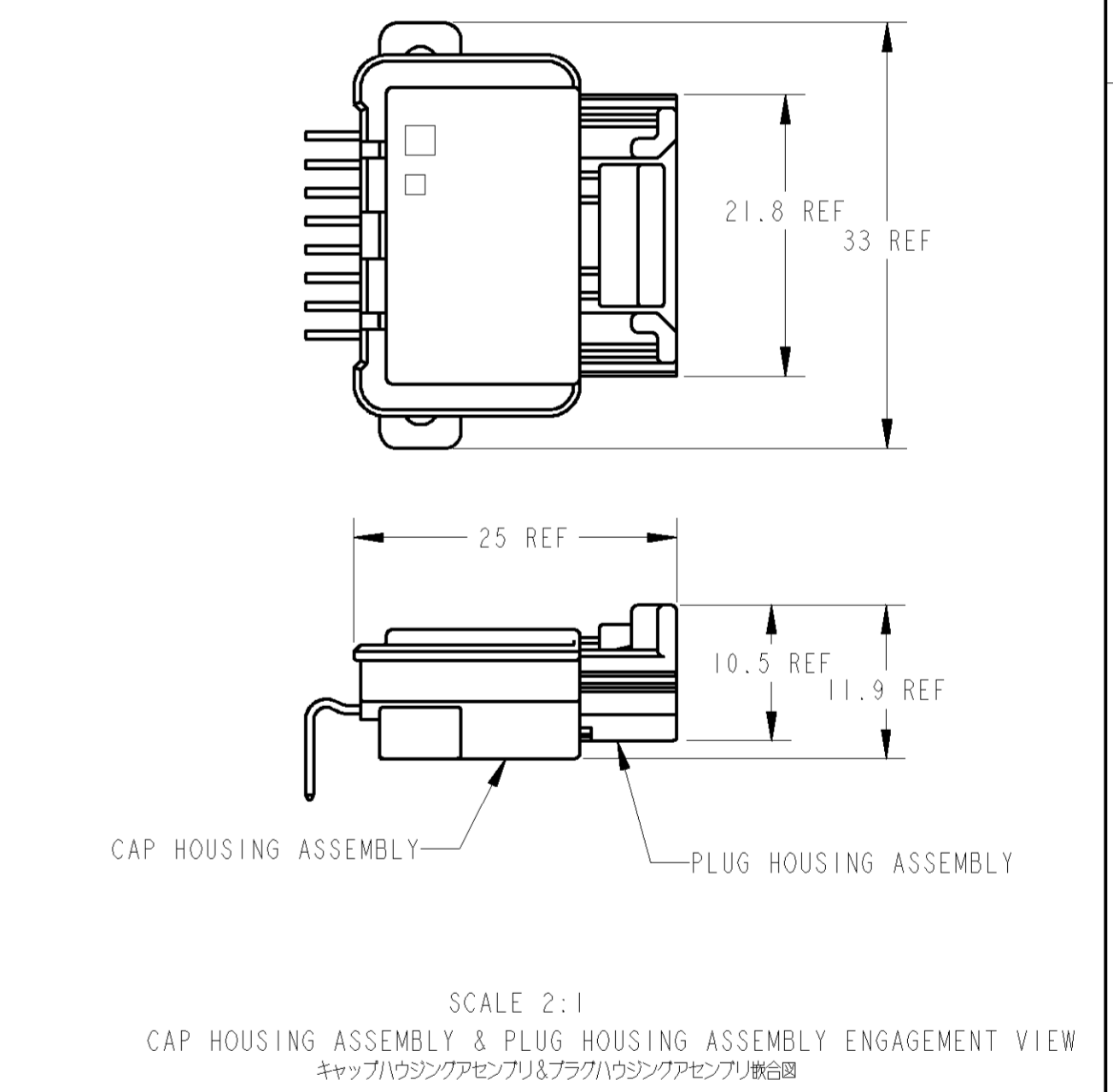
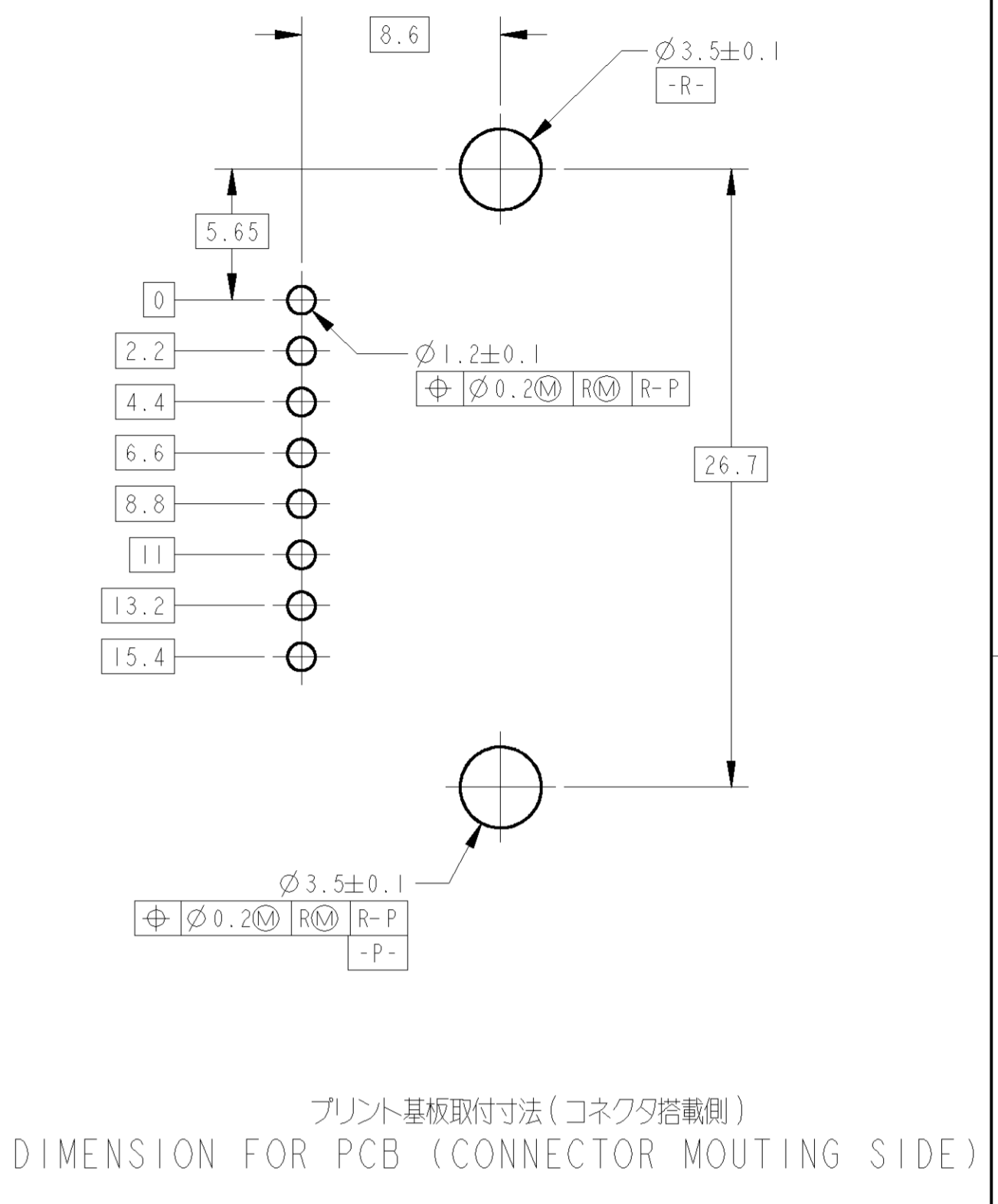
TABLE-1

POS 極数	FEMALE HSG メスハウジング TYCO PART NUMBER
8	1376368
	1746875

TABLE-2

プリント基板板厚(mm) THICKNESS OF PCB(mm)	0.5-1.2	1.6-2.0
固定用ねじ着下長さ(mm) NOMINAL LENGTH OF SCREW(mm)	5	6

LOC J	DIST	REVISIONS					
		REV	DATE	BY	CHK	APPV	
		A	RELEASED	ECR-10-006078	28MAY10	TS	KB



PAPER BOX	PLASTIC TUBE	SELECTIVE-TIN (MATTE)	SELECTIVE-TIN (BRIGHT)	SPS GF17	NATURAL	1747285-2	
PLASTIC BOX	PLASTIC TUBE	SELECTIVE-TIN (MATTE)	SELECTIVE-TIN (BRIGHT)	SPS GF17	NATURAL	1747285-1	
OUTER 外表	INNER 内装	SOLDERING SIDE 半田付け部	CONTACT SIDE 接触部	MATERIAL 材料	COLOR 色	PART NUMBER 型番	
PACKING STYLE 梱包形態		CONTACT FINISH コンタクト仕上		HOUSING ハウジング			
DIMENSIONS: mm		TOLERANCES UNLESS OTHERWISE SPECIFIED: mm		DWN Y. MITO 260CT04 CHK H. YAMAGAMI 260CT04 APPV S. ISOGHATA 260CT04		Tyco Electronics Corporation Kawasaki, Japan	
MATERIAL 材料		FINISH 仕上		WEIGHT 重量		SIZE 寸法	
SEE TABLE		SEE TABLE		114-5250-5329 2.78 g		00779 1747285	
				CUSTOMER DRAWING		SHEET 1 OF 1	