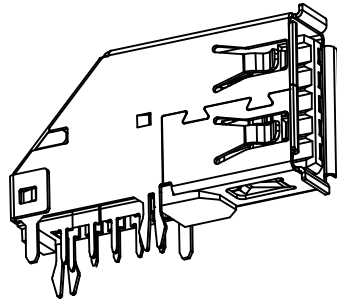


Pin Number	Signal Name	Description
1	VBUS	Power
2	D-	USB2.0 differential pair
3	D+	
4	GND	Ground for power return
5	StdA_SSRX-	SuperSpeed receiver differential pair
6	StdA_SSRX+	
7	GND_DRAIN	Ground for signal return
8	StdA_SSTX-	SuperSpeed transmitter differential pair
9	StdA_SSTX+	
Shell	Shield	Connector metal shell

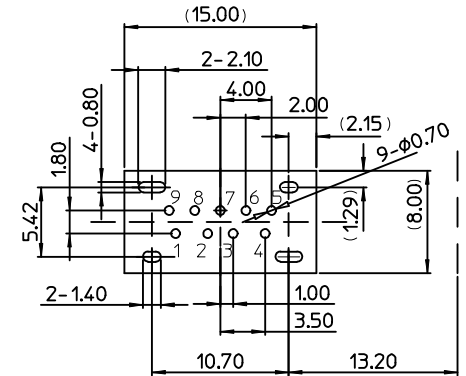
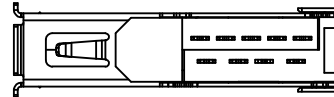
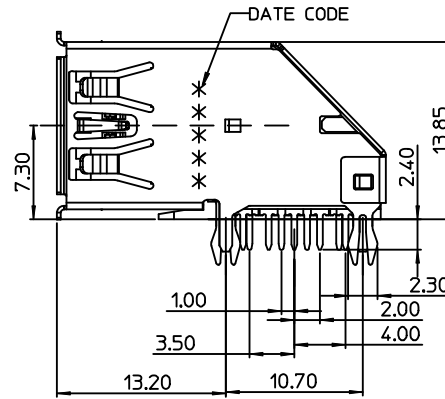
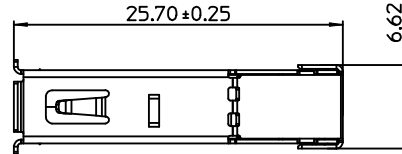
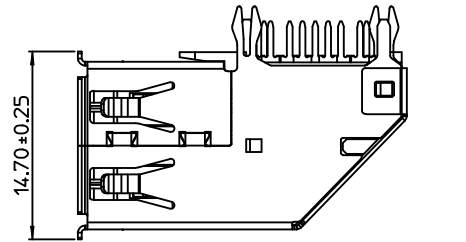
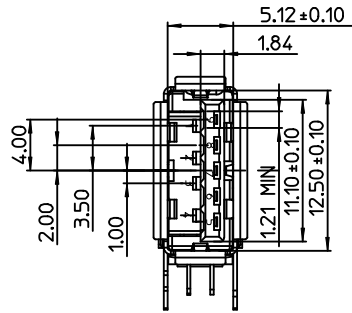
USB3.0 Standard-A Connector
Pin Assignments



NOTES:
1.MATERIAL:
HOUSING: THERMOPLASTIC, GLASS FIBER FILLED, HALOGEN FREE, UL94-HB, COLOR: BLUE.
USB2.0 CONTACT: COPPER ALLOY.
USB3.0 CONTACT: COPPER ALLOY.
SHELL: STAINLESS STEEL.
2.FINISH:
CONTACT:
SELECTIVE GOLD(Au) IN CONTACT AREA(SEE TABLE)
SELECTIVE MATTE TIN(Sn) ALLOY IN SOLDER TAIL
AREA THICKNESS=120 MICROINCH MINIMUM.
NICKEL(Ni) OVERALL THICKNESS=80 MICROINCH

MINIMUM.
SHELL-NICKEL(Ni) OVERALL THICKNESS=30 MICROINCH
MINIMUM.
3. PRODUCT SPECIFICATION REFERS TO PS-48404-001
4. PACKAGE SPECIFICATION REFERS TO PK-48404-001
5. TEST SUMMARY REFERS TO TS-48404-001
6. LEAD FREE AND RoHS COMPLIANT PRODUCT.
7. DATE CODE:

X X X X X
YEAR WEEK DAY



RECOMMEND P.C.B
LAYOUT(THICKNESS=1.2mm)
(COMPONENT SIDE) TOLERANCE±0.05

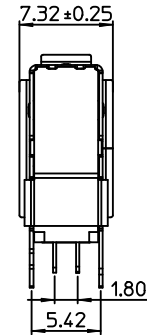


TABLE	
PLATING	P/N
30u" Au	48404-0001
2u" Au & 30u" Pd-Ni	48404-0002
15u" Au	48404-0003
GOLD FLASH(3u" Au MIN.)	48404-0004

RELEASE EC NO: DRWN: FYANG05 2013/10/20 CHKD: CHIKD: APPR: APP:	DESCRIPTION REV	QUALITY SYMBOLS $\nabla = 0$ $\nabla = 0$ $\nabla = 0$	GENERAL TOLERANCES (UNLESS SPECIFIED) mm INCH 4 PLACES ± ± 3 PLACES ± ± 2 PLACES ± 0.20 ± 1 PLACE ± 0.25 ± ANGULAR ± °	DIMENSION STYLE DRAWN BY RUBY DATE 2013.9.18 CHECKED BY FYANG DATE 2013.9.18 APPROVED BY RZHANG DATE 2013.9.18 MATERIAL NO. SEE TABLE	SCALE 1:1 DESIGN UNITS THIRD ANGLE PROJECTION	TITLE USB 3.0 CONNECTOR A RECEPTACLE SIDE 90° DIP TYPE(H=7.3mm)	MOLEX INCORPORATED DOCUMENT NO. SD-48404-001	SHEET NO. 1 OF 1
		DRAFT WHERE APPLICABLE MUST REMAIN WITHIN DIMENSIONS			THIS DRAWING CONTAINS INFORMATION THAT IS PROPRIETARY TO MOLEX INCORPORATED AND SHOULD NOT BE USED WITHOUT WRITTEN PERMISSION			