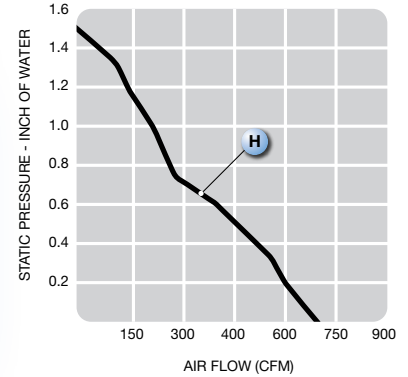
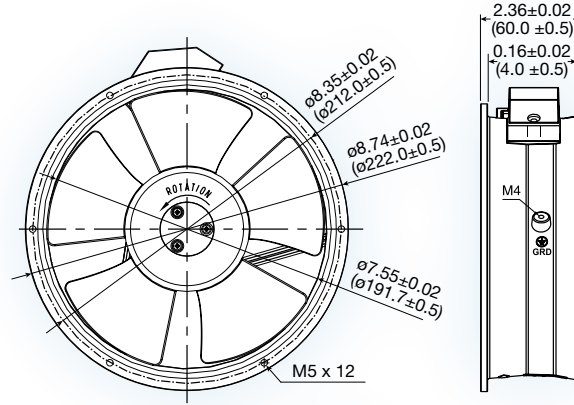
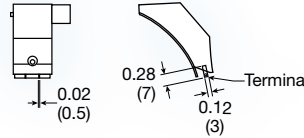


MM2260 series*



(222 dia. x 60 mm)
8.74 dia. x 2.36 inches

- Construction: magnesium alloy impeller & frame
- Bearing option: ball bearing
- Connection: terminal or AWG 18 lead wire
- Frame: flanged
- Protection: thermal
- Options: tachometer output or locked rotor alarm signal



| Model No. | Rated Voltage V | Current mA | | Speed RPM | Air Volume | | Max. Static Pressure (H ₂ O) | | Sound Noise dbA | Weight kg |
|----------------|-----------------|------------|------|-----------|----------------------|-----|---|------|-----------------|-----------|
| | | 24 | 48 | | M ³ /Min. | CFM | MM | INCH | | |
| MM2260H | 24/48 | 3000 | 1700 | 4,000 | 19 | 690 | 38.10 | 1.5 | 67 | 1.4 |

*Not to be used for new designs

