

# High Frequency Ceramic Solutions

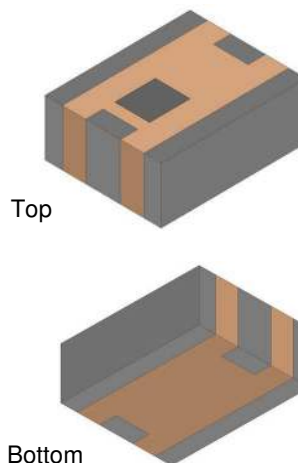
## 3.35 GHz Band Pass Filter

P/N 3350BP39A0500

Detail Specification: 5/12/2021

Page 1 of 4

General Specifications	
Part Number	3350BP39A0500
Operating Frequency	3100 - 3600 MHz
Insertion Loss (dB)	2.0 max.
Return Loss (dB)	9.5 min.
Attenuation (dB)	35 min. @ 500 - 2000 MHz 30 min. @ 2500 MHz 5 min. @ 2950 MHz 10 min. @ 4000 MHz 28 min. @ 5000 MHz 30 min. @ 6000 - 8000 MHz 20 min. @ 8000 - 10000 MHz
Impedance	50 Ω
Power Capacity	500 mW max.
Operating Temperature	-40 to +85°C
Solder Paste	SAC 305 type is recommended
Reel Quantity (pcs/reel)	3,000



Recommended Storage Conditions and Period for unused product on T&R	+5 to +35°C Humidity 45~75%RH 18 months max.*
---	---

\*18 months max. in vacuum sealed bag and 1 week after opened. Please keep unused parts in vacuum sealed bags. For more info go to <https://www.johansontechnology.com/silverleads-profile>.

Part Number Explanation				
P/N Suffix	Packing Style	Bulk (loose pcs.)	Suffix = S	E.g. 3350BP39A0500S
		T & R	Suffix = E	E.g. 3350BP39A0500E
	Termination Style	Ag/Pt	Suffix = None	E.g. 3350BP39A0500(E or S)
	Evaluation Board	50Ω SMA	Suffix = EB-SMA	E.g. 3350BP39A0500-EB-SMA

Mechanical Dimensions		
	In	mm
L	0.098 ± 0.008	2.50 ± 0.20
W	0.079 ± 0.008	2.00 ± 0.20
T	0.037 ± 0.004	0.95 ± 0.10
a	0.012 ± 0.008	0.30 ± 0.20
b	0.024 ± 0.008	0.60 ± 0.20
c	0.012 ± 0.008	0.30 ± 0.20

Terminal Configuration	
No.	Function
1	GND
2	INPUT / OUTPUT
3	GND
4	INPUT / OUTPUT

Johanson Technology, Inc. reserves the right to make design changes without notice.  
All sales are subject to Johanson Technology, Inc. terms and conditions.



<https://www.johansontechnology.com>  
4001 Calle Tecate • Camarillo, CA 93012 • TEL 805.389.1166 FAX 805.389.1821  
Ver. 2.0 2021 Johanson Technology, Inc. All Rights Reserved

# High Frequency Ceramic Solutions

**3.35 GHz Band Pass Filter**

**P/N 3350BP39A0500**

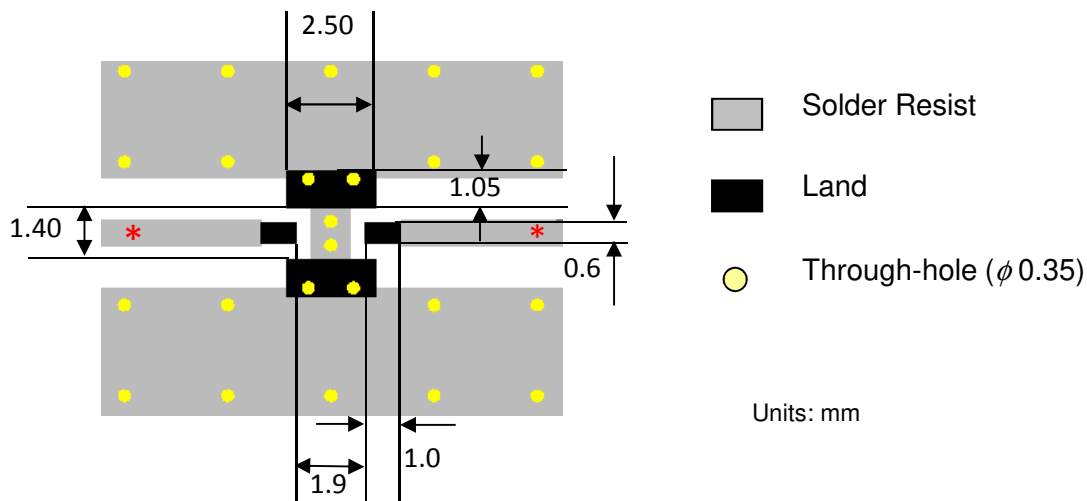
Detail Specification: 5/12/2021

Page 2 of 4

## Mounting Pad Dimensions

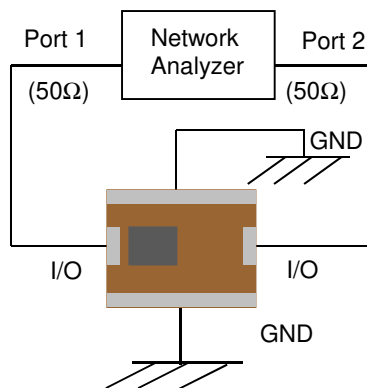
Mount these devices with brown mark facing up.

\* Line width should be designed to provide 50  $\Omega$  impedance matching characteristics.



Would you like the CAD layout? Send us a message at: <https://www.johansontechnology.com/ask-a-question>

## Measurement Schematic



Johanson Technology, Inc. reserves the right to make design changes without notice.

All sales are subject to Johanson Technology, Inc. terms and conditions.



Ver. 2.0

<https://www.johansontechnology.com>

4001 Calle Tecate • Camarillo, CA 93012 • TEL 805.389.1166 FAX 805.389.1821

2021 Johanson Technology, Inc. All Rights Reserved

# High Frequency Ceramic Solutions

3.35 GHz Band Pass Filter

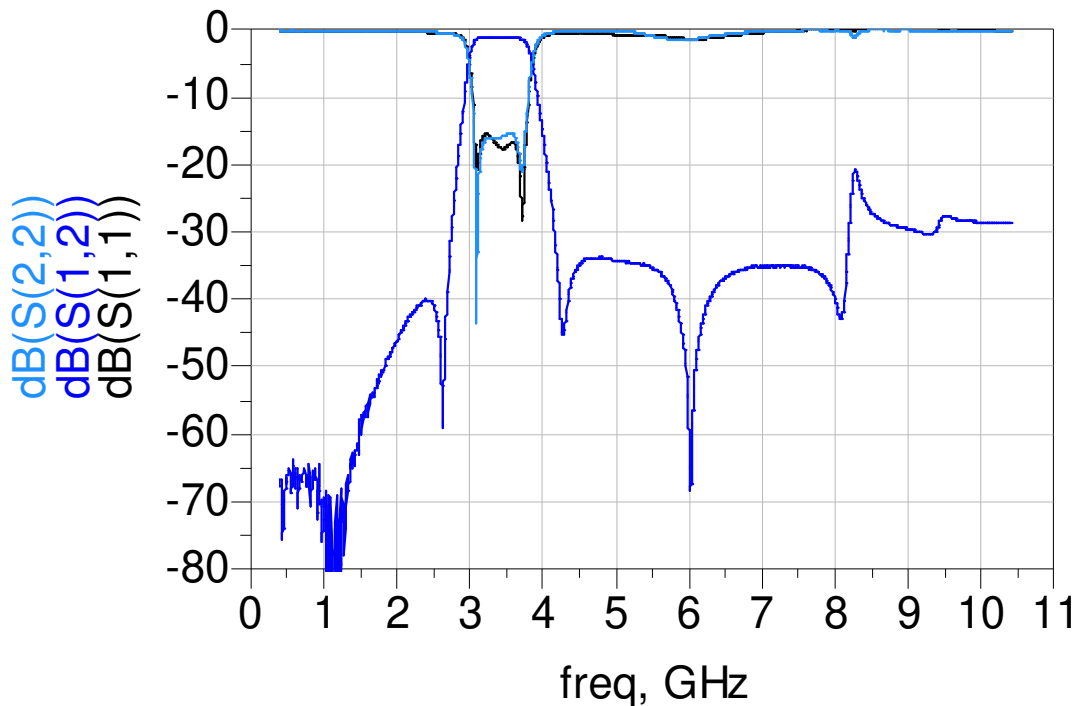
P/N 3350BP39A0500

Detail Specification: 5/12/2021

Page 3 of 4

## Typical Electrical Characteristics (T=25°C)

Insertion Loss & Return loss



Johanson Technology, Inc. reserves the right to make design changes without notice.

All sales are subject to Johanson Technology, Inc. terms and conditions.



<https://www.johansontechnology.com>  
4001 Calle Tecate • Camarillo, CA 93012 • TEL 805.389.1166 FAX 805.389.1821  
Ver. 2.0 2021 Johanson Technology, Inc. All Rights Reserved

# High Frequency Ceramic Solutions

## 3.35 GHz Band Pass Filter

P/N 3350BP39A0500

Detail Specification: 5/12/2021

Page 4 of 4

### Application Notes, Layout Files, and more

<https://www.johansontechnology.com/band-pass-filters>

### Packaging information

<https://www.johansontechnology.com/tape-reel-packaging>

### Soldering Information

<https://www.johansontechnology.com/ipcsoldering-profile>

### MSL Info

<https://www.johansontechnology.com/msl-rating>

### Recommended Storage Condition and Max Shelf Life

<https://www.johansontechnology.com/recommended-storage-conditions>

### RoHS Compliance

<https://www.johansontechnology.com/rohs-compliance>

### Antenna layout and tuning techniques

<https://www.johansontechnology.com/tuning>

### Antenna layout review, tuning, and characterization services

<https://www.johansontechnology.com/ipc-antenna-services>

Johanson Technology, Inc. reserves the right to make design changes without notice.

All sales are subject to Johanson Technology, Inc. terms and conditions.



<https://www.johansontechnology.com>  
4001 Calle Tecate • Camarillo, CA 93012 • TEL 805.389.1166 FAX 805.389.1821  
Ver. 2.0 2021 Johanson Technology, Inc. All Rights Reserved