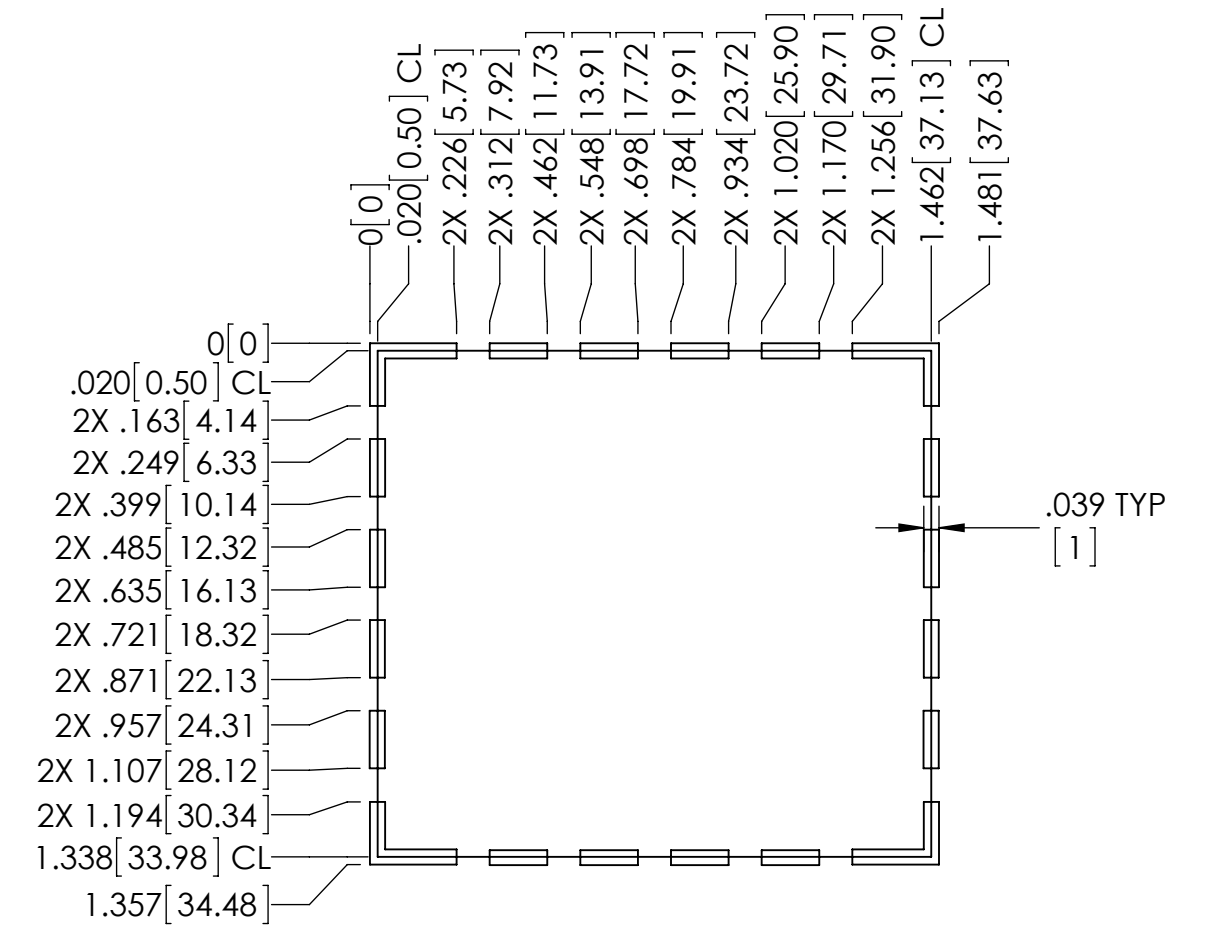
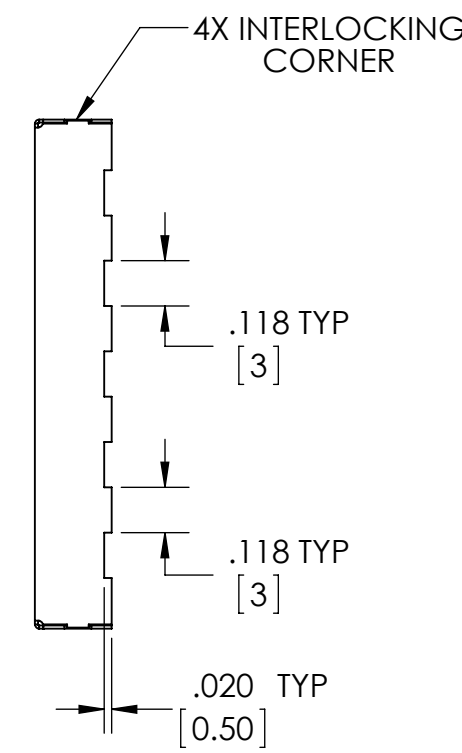
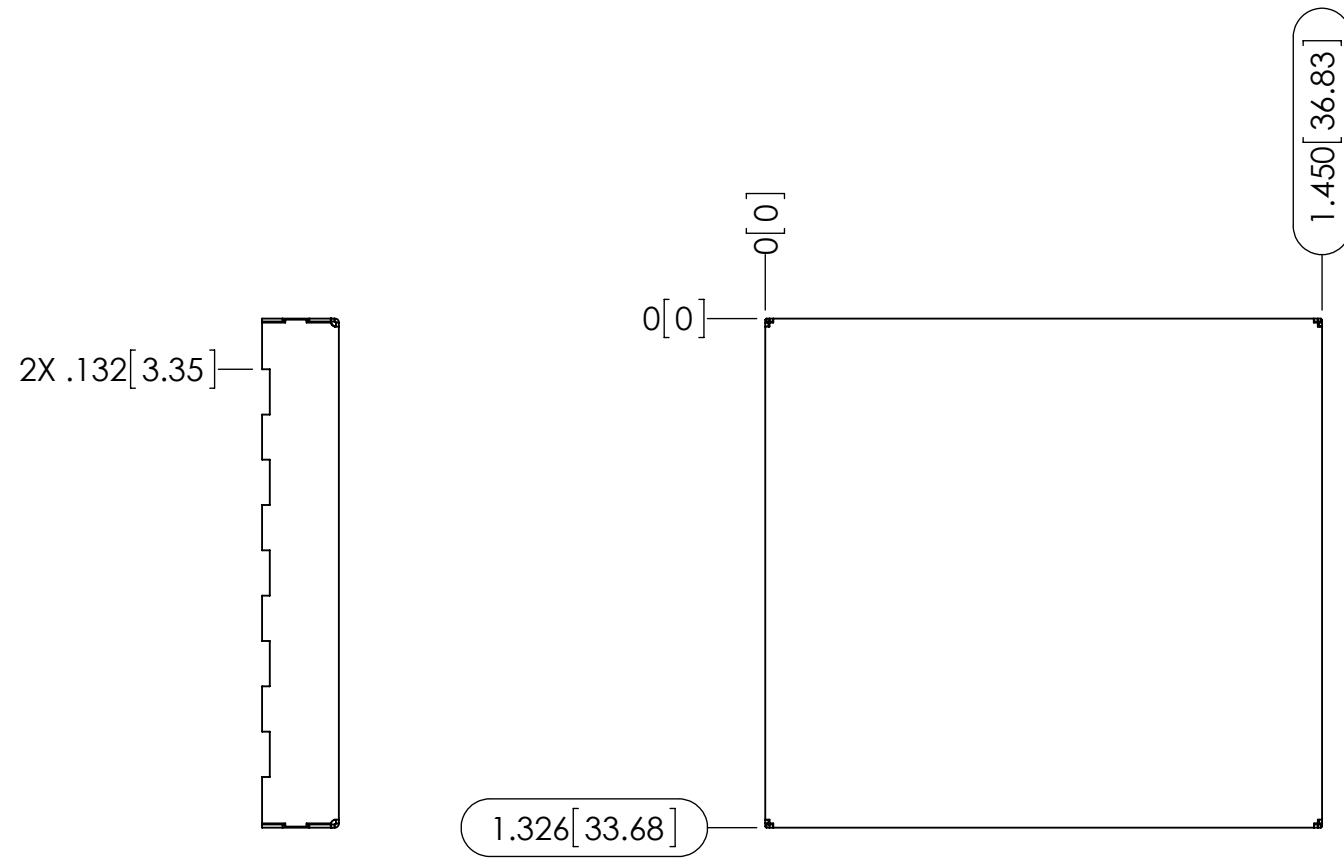
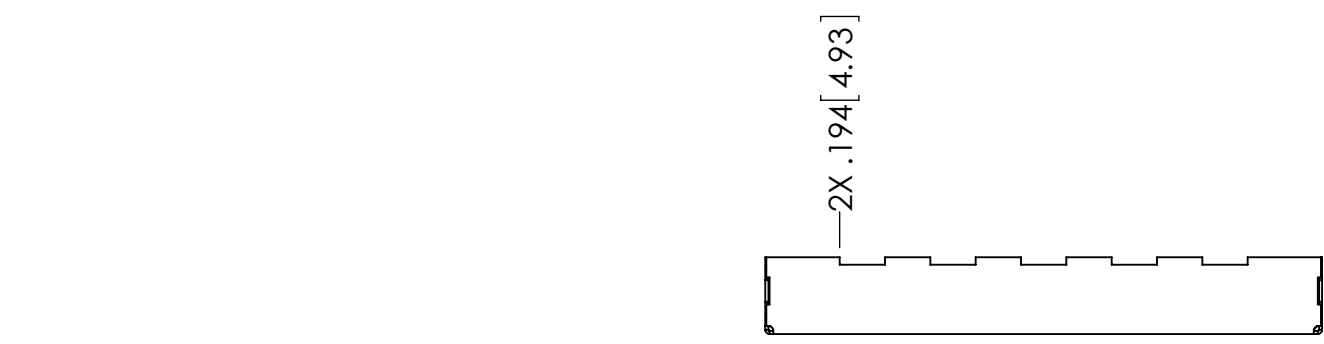
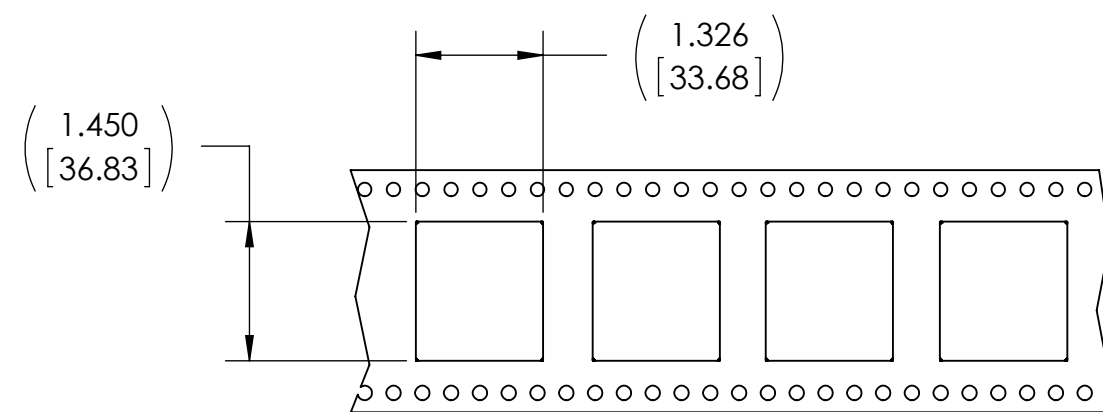
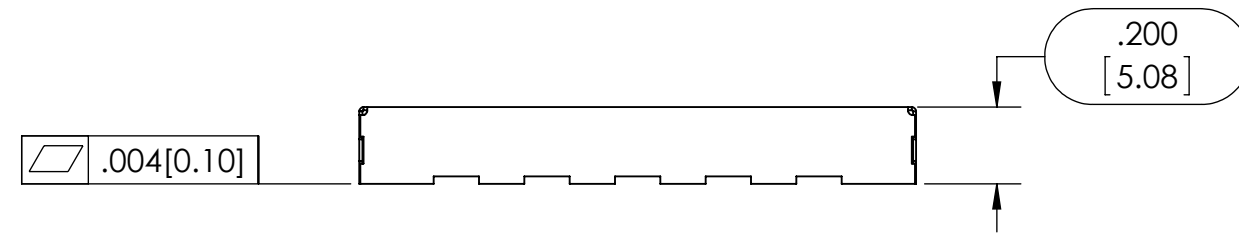


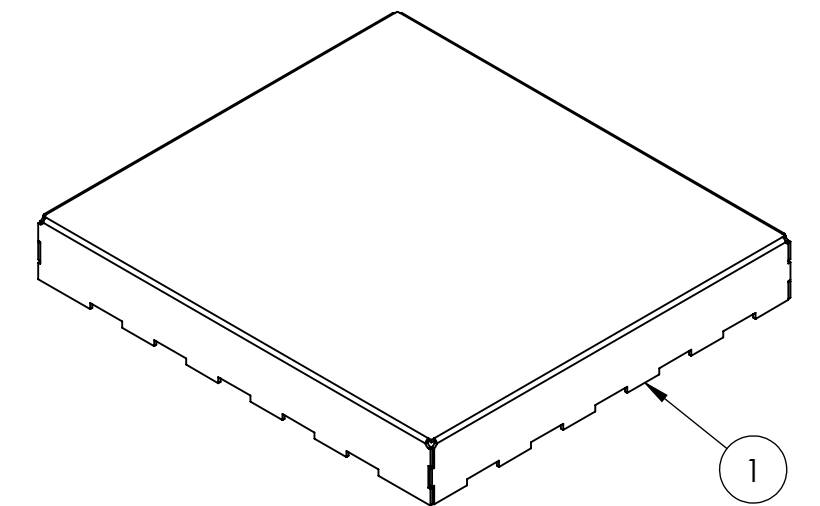
NOTES:
1. DIMENSIONS IN [] ARE IN MILLIMETERS



TRACE PATTERN



CARRIER TAPE



CARRIER TAPE SPECIFICATIONS						
PART NUMBER	DESCRIPTION	OVERALL DIMENSION	OVERALL HEIGHT	CARRIER TAPE WIDTH	CARRIER TAPE PITCH	PARTS PER REEL
SMS-306	ONE PIECE SHIELD	1.450 x 1.326 [36.83 x 33.68]	.200 [5.080]	56 mm	40 mm	300

THIS DOCUMENT CONTAINS PROPRIETARY INFORMATION OWNED BY LEADERTECH, OR DEVELOPED AT ITS OWN PRIVATE EXPENSE, AND MAY NOT BE USED, DUPLICATED OR DISCLOSED IN WHOLE OR IN PART FOR ANY PURPOSE INCLUDING DESIGN, MANUFACTURE OR PROCUREMENT WITHOUT THE WRITTEN PERMISSION OF LEADERTECH. LEADERTECH DOES NOT GUARANTEE OR WARRANTY THE PERFORMANCE CHARACTERISTICS.

ITEM NO.	PART NUMBER	DESCRIPTION	QTY.
1	SMS-306	ONE PIECE SHIELD	1
UNLESS OTHERWISE SPECIFIED: - ALL DIMENSIONS ARE IN INCHES - PART SHALL BE FREE OF BURRS AND SHARP EDGES - ALL DIMENSIONS SHOWN APPLY BEFORE PLATINGS AND COATINGS - RoHS COMPLIANT PER EU DIRECTIVE 2011/65/EU - POI = POINT OF INTERSECTION		THIRD ANGLE PROJECTION 	
.XXX +/- .005 .XX +/- .010 .X +/- .020		ANGLES +/- 2°	TITLE: SURFACE MOUNT SHIELD ONE PIECE
DRAWN BY: ACS	2015-04-14	APPROVED BY: Nick Demyanovich	2015.05.08 13:33:25 -04'00'
FINISH: MATTE	MATERIAL: .008" [0.20] - PRE TIN STEEL	SCALE: 2:1	DWG. NO.: SMS-306 CAGE CODE: 4J674 REV: A SHEET: 1 OF 1