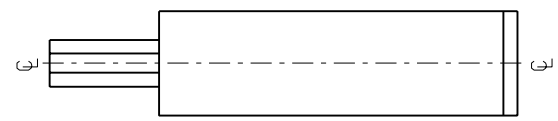
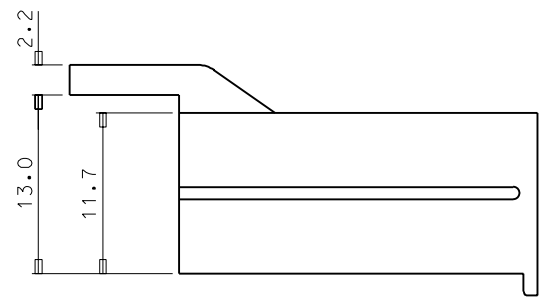
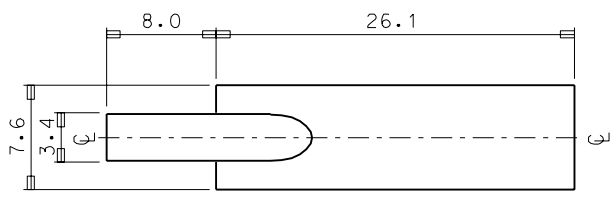
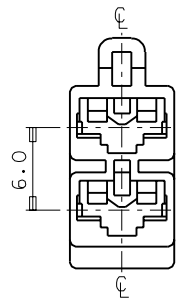
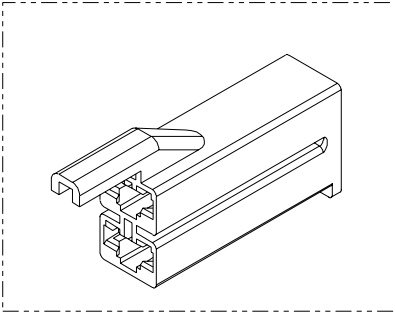
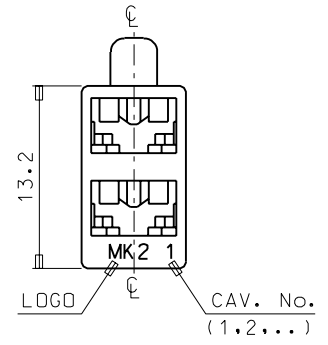


PROJECT NO. SD 35189-021*
 .187 MP-LOCK CONN'
 SIMILAR ITEM
 EDP NO.

8 7 6 5 4 3 2 1



- NOTES
- MATERIAL : NYLON
 35189-0210 (UL94V-2)
 35189-0211 (UL94V-0)
 - COLOR : NATURAL
 - APPLICABLE TERMINAL : 35068-9**2



				MATERIAL SEE NOTES		MOLEX-KOREA CO.,LTD.	
				GENERAL TOLERANCE		DRAWN BY J.S.KANG	
				DIMENSION : ±0.3		CHK'D BY	
				ANGLE : \pm		APP'D BY	
B	REVISED	96-137	96-12-24	DIMENSION CLASSIFICATION		SCALE 3/1	
A	NEW RELEASED		96-4-17	▼ : CRITICAL ▲ : MAJOR () : REFERENCE		TITLE :	
LTR	REVISION RECORD	ECN	DATE	ASS'Y PART		.187 MP-LOCK HSG-2P	
				DESCRIPTION		6mm PITCH(POLARIZED)	
				ENG. NO.		SHEET 1 of 1	
REVISE ONLY ON CAD SYSTEM				---		REV B	
						ENG. NO. SD 35189-021*	