

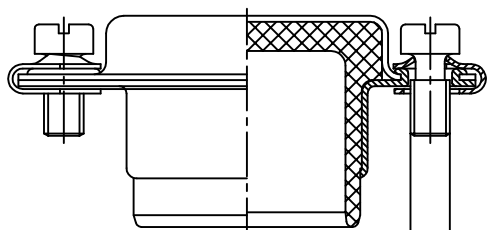
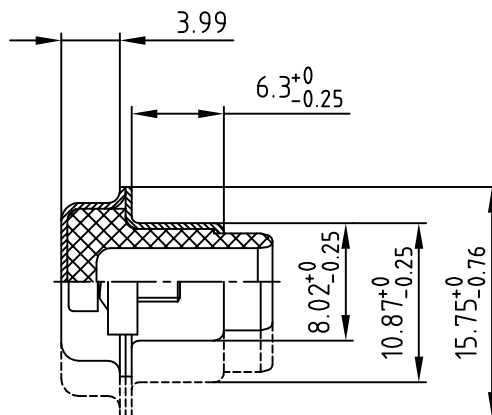
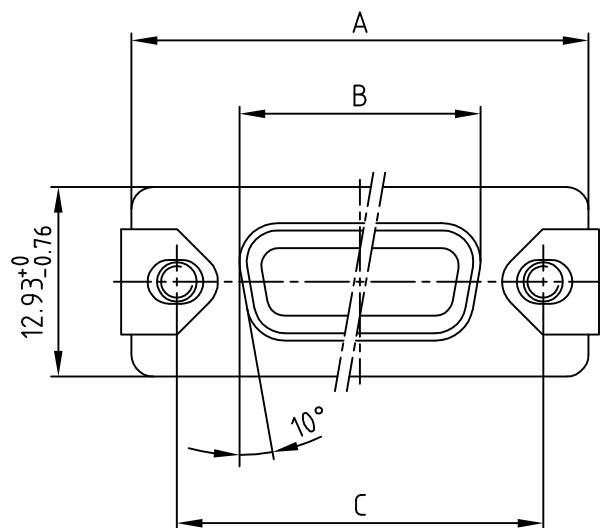
4

3

2

1

used for: D-SUB



4-40 UNC

## NOTES:

- Ⓒ 1. METALSHELLS: COPPER ALLOY;  
min. 315µin TIN over 40-80µin Nickel
- 2. INSULATORS: TPE
- Ⓒ 3. CLAMPS: STAINLESS STEEL
- Ⓒ 4. SCREWS: STAINLESS STEEL

Directive 2002/95/EC RoHS compliant

Shellsize	A -0.76	B -0.25	C	Part No: Bulk package	Part No: Ⓒ Single package
1	31.19	16.46	25.00 <sup>+0.12</sup> / <sub>-0.13</sub>	165X14769X	165X14769XE
2	39.52	24.79	33.30 <sup>+0.15</sup> / <sub>-0.1</sub>	165X14779X	165X14779XE
3	53.42	38.50	47.04 ±0.13	165X14789X	165X14789XE
4	69.70	54.96	63.50 ±0.13	165X14799X	165X14799XE
5	67.31	52.55	61.10 <sup>+0.14</sup> / <sub>-0.11</sub>	165X14809X	165X14809XE

THIS DRAWING MAY NOT BE COPIED OR  
 REPRODUCED IN ANY WAY, AND MAY NOT  
 BE PASSED ON TO A THIRD PARTY WITHOUT  
 WRITTEN PERMISSION.  
 OWNERSHIP AND COPYRIGHT OF CONEC GmbH  
 DO NOT ALTER CAD DRAWING BY HAND

			tolerance				
			2001	date	name		
			drawn	10.09.	E. Mickenbecker		
			appd.	10.09.	A. Mickenbecker		
			norm	DIN 41652			
3 x c	Ä4329	11.06.2012	K.H.	d-old			
1 x b	Ä4033	30.06.2011	K.H.				
a	Original						
rev.	description	date	name				

scale:	2:1	
material:	SEE NOTES	
title:	HOOD 9-50pos. for plug connector water resistant, shielded for EMI/RFI	
dwg no:	AutoCAD 2000	DIN-A
	16K1A290A	4
part no:	SEE TABLE	
		sh: 1/1

4

3

2

1