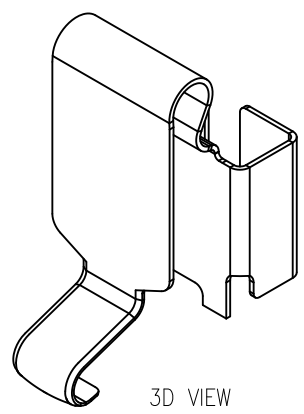
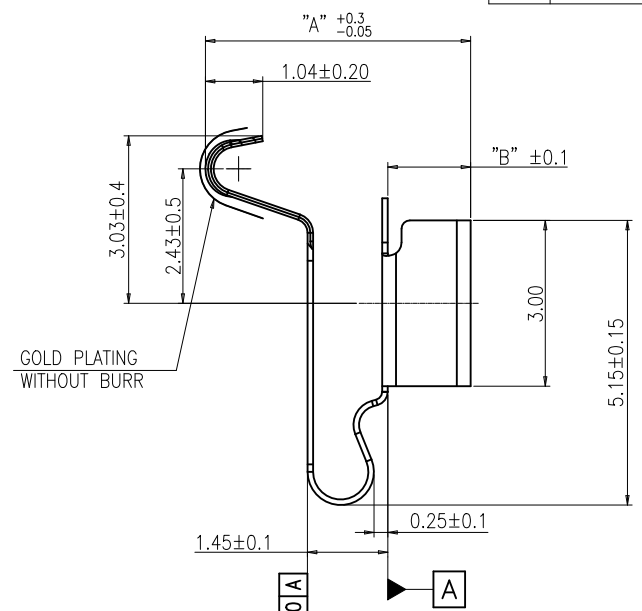
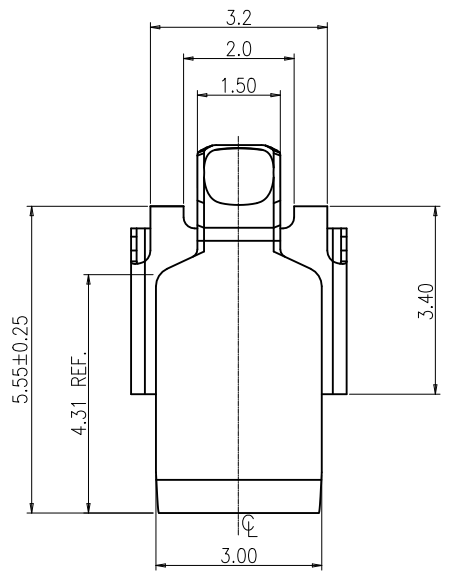


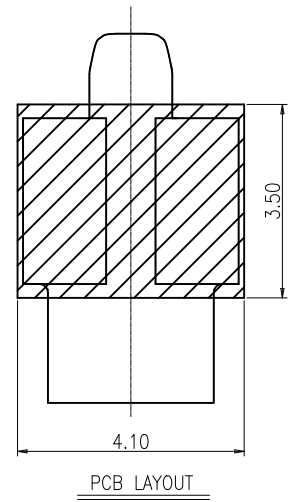
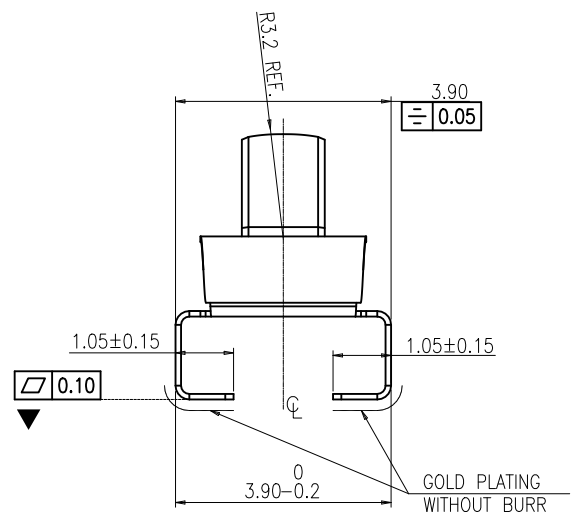
REV.	ECR/ECN No.	DESCRIPTION	DRAWN/DATE	CHECKED/DATE	APPROVED/DATE
C	ECN2020073	Added H7.5 specification	Staven 2020-09-03	Staven 2020-09-03	Biao 2020-09-03
D	ECN2022112	UPDATE CPK SYMBOLS	Abner 2022-07-20	Staven 2022-07-20	Sam 2022-07-20



- NOTES:
1. MATERIAL: C5210-EH T=0.10±0.01mm;
 2. BURR 0.03mm MAX.
 3. PLATING: Au 2u" SURFACE PLATING OVER CONTACT AREAS, Au 2u" SURFACE PLATING OVER SOLDER AREAS, Ni 40-120u" UNDER PLATING OVER ALL.
 4. ALL MATERIALS COMPLY WITH ROHS MANAGEMENT;
 5. WITH "▼" MUST BE CPK CONTROL.

TABLE:

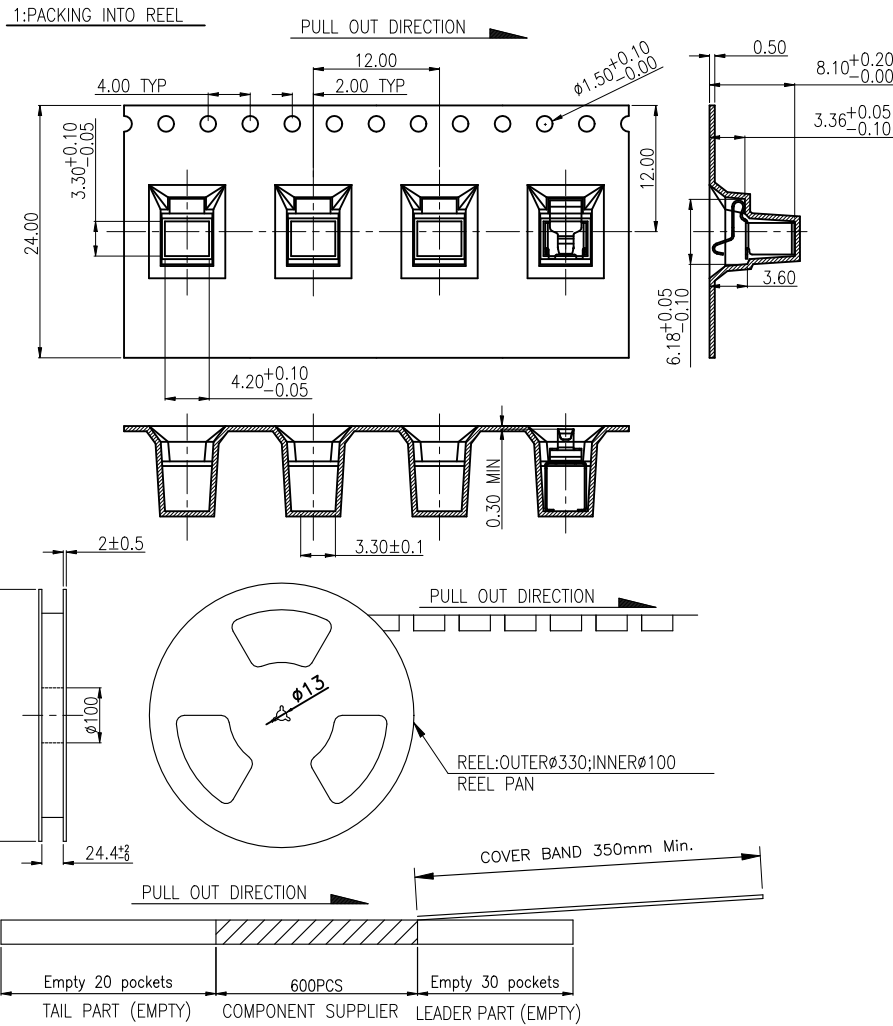
PART NUMBER	A	B
Z016-4F7L1-11000-E000	4.80	1.50
Z02B-4F7L1-11000-E000	5.20	1.90
Z02D-4F7L1-11000-E000	7.50	4.20



UNLESS OTHERWISE SPECIFIED TOLERANCES		ANGLE OF PROJECTION		 Amphenol Aorora Technology (Huizhou) Co.,Ltd			
X.	±0.30	X. *	± 5'				
X.X	±0.25	X.X *	± 4'	DOC TYP	Customer Drw		TITLE:
X.XX	±0.20	X.XX *	± 3'	DRAWN	Abner	H4.8/H5.2/7.5 SPRING T=0.1mm	
X.XXX	±0.15	X.XXX *	± 2'	DATE	2022-07-20	SIZE	A4
LINEAR DIMS		ANGLES DIMS		DESIGN	Abner	PART NUMBER:	Z0**-4F7L1-11000-E000
DWG NO.:	A-S0490			DATE	2022-07-20	REV.	D
MATERIAL	SEE NOTES			CHECKED	Staven	SCALE	1:1
FINISHED	SEE NOTES			DATE	2022-07-20	UNIT	mm
				APPROVED	Sam	SHEET	1 OF 1
				DATE	2022-07-20		

This document is the property of and embodies CONFIDENTIAL and PROPRIETARY information of AOR. No part of the information shown on this document may be used in any way or disclosed to others without the written consent of AOR. © 2019 AOR





- NOTES:
- MATERIAL:
 - CARRY TAPE:HIPS,T=0.50mm,COLOR:TRANSPARENT.
 - REEL:HIPS,BLUE.
 - SHIM:PE,CLEAR.
 - PRIMARY PACKING:600PCS/REEL.
 - SECONDARY PACKING:10 REELS/CARTON
("TOTAL"=10*600/CARTON).
 - PEELING RESISTANCE: 0.1N~0.7N(10~70gf);
PEELING ANGLE: 165°~180°;
PEELING SPEED: 300mm/minutes.

REV.	ECR/ECN No.	DESCRIPTION	DRAWN/DATE	CHECKED/DATE	APPROVED/DATE
F	ECN20200073	Added H7.5 specification	Staven 2020-09-03	Staven 2020-09-03	Biao 2020-09-03

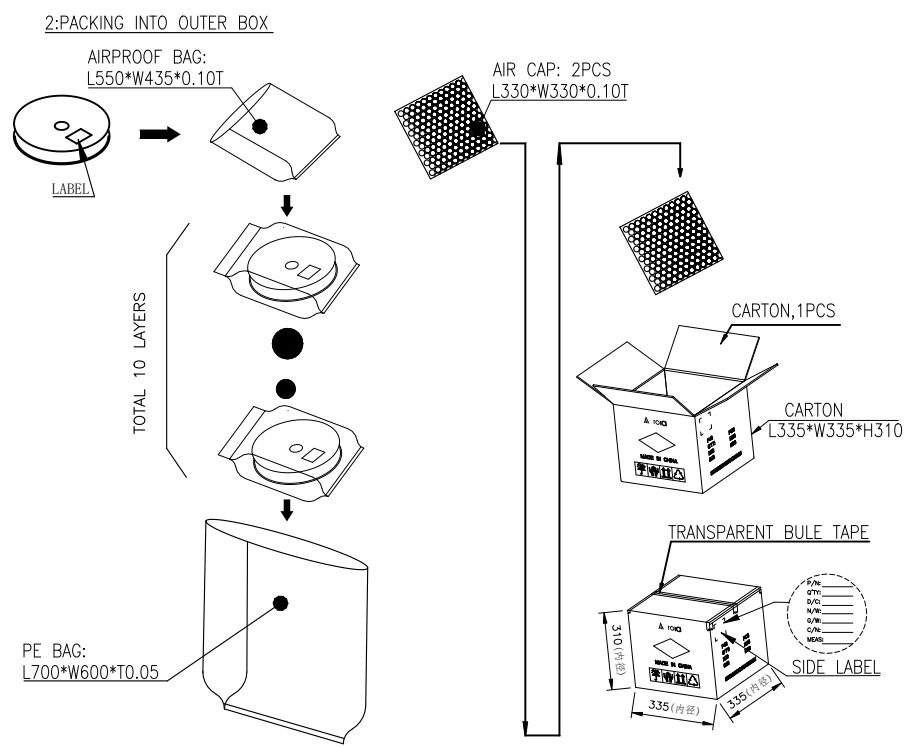


TABLE:

PART NO.	PCS/REEL	N REEL/BOX (TOL PCS)
Z00C-4G7L1-11000	600	10REEL/BOX (6000pcs)
Z01Q-4G7L1-11000-E000		
Z02D-4F7L1-11000-E000		

UNLESS OTHERWISE SPECIFIED TOLERANCES				ANGLE OF PROJECTION		Amphenol AORORA	
X.	±0.30	X. °	± 5'			Amphenol Aorora Technology (Huizhou) Co.,Ltd TITLE: H7.5 SPRING—PACKING	
X.X	±0.25	X.X °	± 4'				
X.XX	±0.20	X.XX °	± 3'	DOC TYPE		PACKING Drw	
X.XXX	±0.15	X.XXX °	± 2'	DRAWN	DATE	Staven	2020-09-03
LINEAR DIMS				ANGLES DIMS		DESIGN	DATE
DWG NO.: A-H0099						Staven	2020-09-03
MATERIAL		SEE NOTES		CHECKED	DATE	Biao	2020-09-03
FINISHED		SEE NOTES		APPROVED	DATE	Biao	2020-09-03
SIZE	PART NUMBER:		REV.				
A4	SEE TABLE		F				
SCALE	1:1	UNIT : mm	SHEET	1	OF	1	