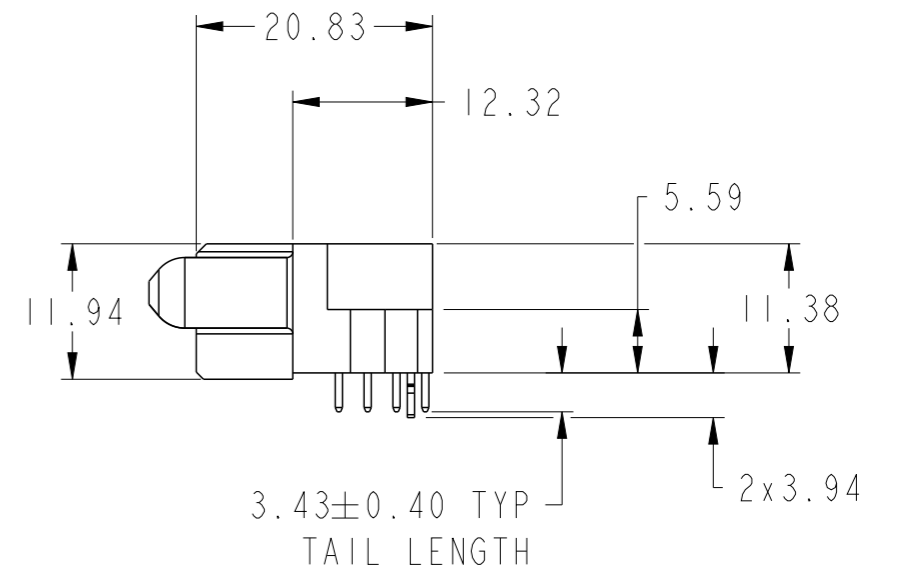
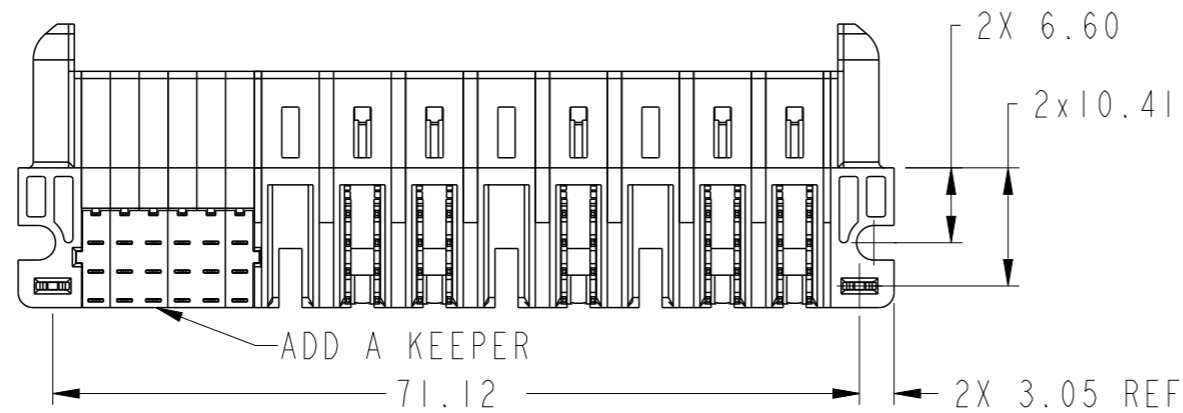
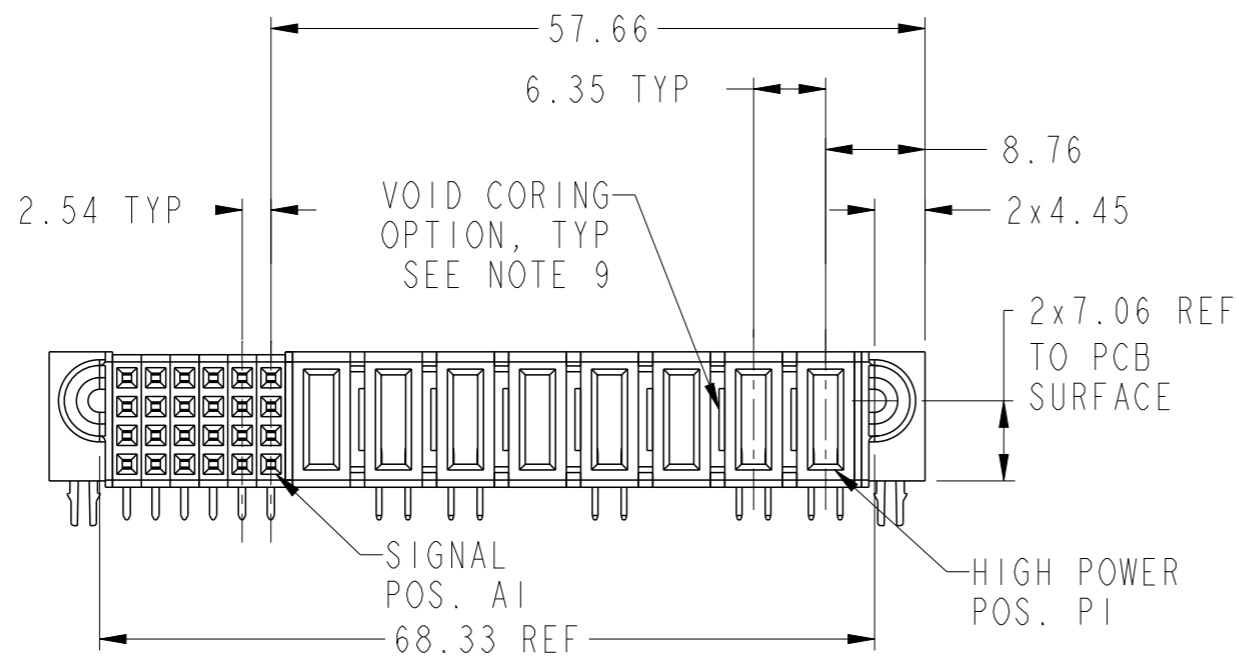
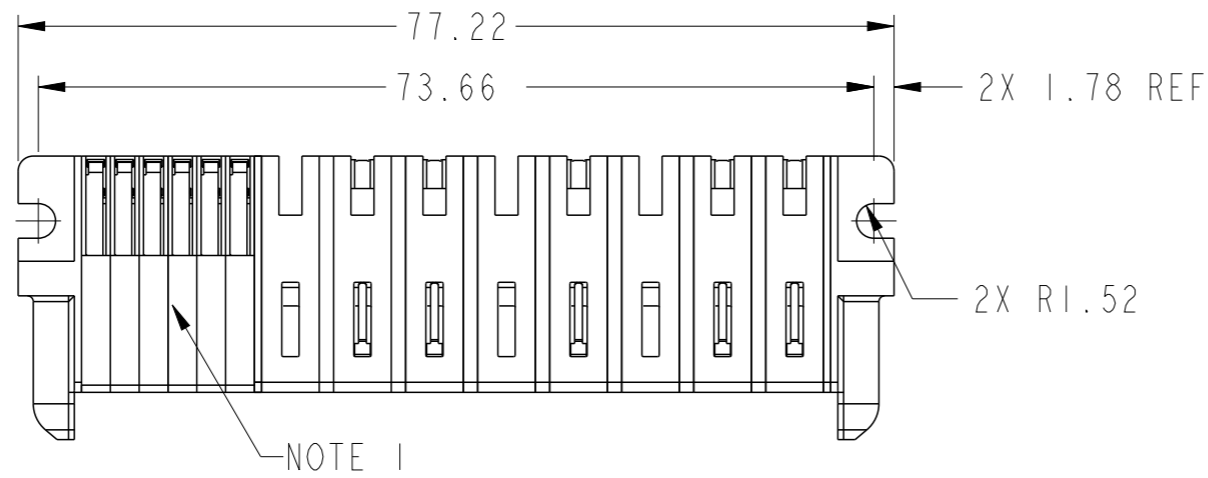


PRODUCT NUMBER SEE SHEET 2

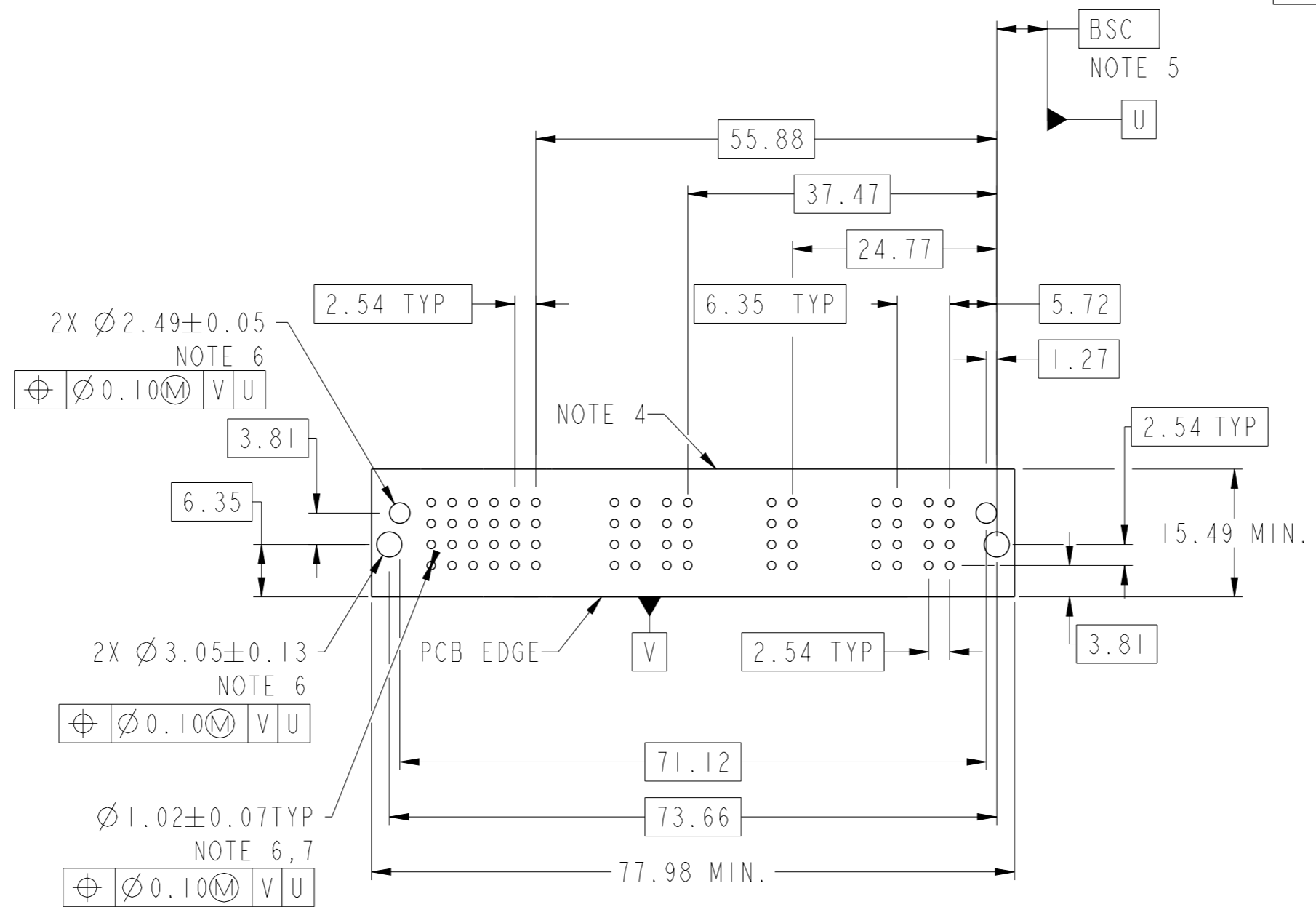


spec ref	*	dr	Vicking Liu	2015/09/06	projection	MM	size	A3	scale	3:2																							
tolerance std	ASME Y14.5	eng	Vicking Liu	2015/10/21			ecn no	-	rel level	Released																							
TOLERANCES UNLESS OTHERWISE SPECIFIED		chr	Fancy Zhang	2015/10/21							product family	PwrBlade+																					
surface	<table border="1"> <tr> <td>linear</td> <td>0.X</td> <td>±0.5</td> </tr> <tr> <td></td> <td>0.XX</td> <td>±0.25</td> </tr> <tr> <td></td> <td>0.XXX</td> <td>±0.10</td> </tr> <tr> <td>angular</td> <td>0°</td> <td>±2°</td> </tr> </table>	linear	0.X	±0.5		0.XX	±0.25		0.XXX	±0.10	angular	0°	±2°	appr	Pei-Ming Zheng	2015/10/21			<table border="1"> <tr> <td>title</td> <td>24S + 8HP</td> </tr> <tr> <td>part</td> <td>RA STB RECEPTACLE</td> </tr> </table>	title	24S + 8HP	part	RA STB RECEPTACLE	<table border="1"> <tr> <td>dwg no</td> <td>10106126-8006004</td> </tr> <tr> <td>rev</td> <td>A</td> </tr> </table>	dwg no	10106126-8006004	rev	A	<table border="1"> <tr> <td>cat. no.</td> <td></td> </tr> </table>	cat. no.		Product - Customer Drw	sheet 1 of 3
linear	0.X	±0.5																															
	0.XX	±0.25																															
	0.XXX	±0.10																															
angular	0°	±2°																															
title	24S + 8HP																																
part	RA STB RECEPTACLE																																
dwg no	10106126-8006004																																
rev	A																																
cat. no.																																	

Copyright FCI. FCI

PRODUCT NO.	ROWS	SIGNAL						HIGH POWER									
		E1	6	5	4	3	2	1	P8	P7	P6	P5	P4	P3	P2	P1	E2
10106126-8006004LF	D C B A		H	H	H	H	H	H	X	H3	H3	X	H3	X	H3	H3	

CODE	DESCRIPTION
E	STD SIGNAL CONTACT, ROW A
F	STD SIGNAL CONTACT, ROW B
G	STD SIGNAL CONTACT, ROW C
H	STD SIGNAL CONTACT, ROW D
H3	STD HIGH POWER CONTACT(3.43)
HA	METAL HOLD DOWN
X	OMITTED



dr	Vicking Liu	2015/09/06	projection		size	A3	scale	3:2
eng	Vicking Liu	2015/10/21			ecn no	-		
chr	Fancy Zhang	2015/10/21			rel level	Released		
appr	Pei-Ming Zheng	2015/10/21	product family	PwrBlade+				
		title 24S + 8HP RA STB RECEPTACLE		dwg no 10106126-8006004		rev A		
www.fci.com			cat. no.		Product - Customer Drw		sheet 2 of 3	

Copyright FCI.

NOTES:

- 1) "FCI", PART NUMBER AND DATE CODE TO BE MARKED ON THIS SURFACE.
THE MARK CAN BE OMITTED IF THERE IS NOT ENOUGH SPACE ON THIS SURFACE.
- 2) MATERIALS:
-HOUSING - GLASS FILLED WITH HIGH TEMP THERMOPLASTIC, UL94V-0.
-SIGNAL CONTACT - COPPER ALLOY.
-POWER CONTACT - HIGH CONDUCTIVITY COPPER ALLOY.
- 3) PLATING SPECIFICATION: 10116351
- 4) DENOTES CONNECTOR KEEP OUT ZONE.
- 5) DATUM AND BASIC DIMENSIONS ARE ESTABLISHED BY CUSTOMER.
- 6) ALL HOLE DIAMETERS ARE FINISHED HOLE SIZES.
- 7) 1.15 ± 0.025 MM DRILLED HOLE PLATED WITH 0.00762MM MIN Sn
OVER 0.0254-0.0762MM Cu PLATING TO ACHIEVE A 1.02 ± 0.07 MM HOLE.
- 8) PRODUCT SPECIFICATION: GS-12-658.
APPLICATION SPECIFICATION: GS-20-141.
PRODUCT PACKAGED IN TRAYS: GS-14-1502.
- 9) THE VOID CORING IN BETWEEN POWER MODULES, SIGNAL
MODULES AND END MODULES ARE OPTIONAL AND THE SHAPE
MAY BE DIFFERENT FOR OPTIMIZING THE MOLDING PROCESS. THE
VOID CORING WILL NOT EFFECT TO PRODUCT FUNCTION.



Copyright FCI.

dr	Vicking Liu	2015/09/06	projection 	MM 	size	A3	scale	3:2
eng	Vicking Liu	2015/10/21			ecn no	-		
chr	Fancy Zhang	2015/10/21			product family	PwrBlade+	rel level	Released
appr	Pei-Ming Zheng	2015/10/21			title 24S + 8HP RA STB RECEPTACLE		dwg no 10106126-8006004	rev A
www.fci.com		cat. no.	Product - Customer Drw		sheet 3 of 3			