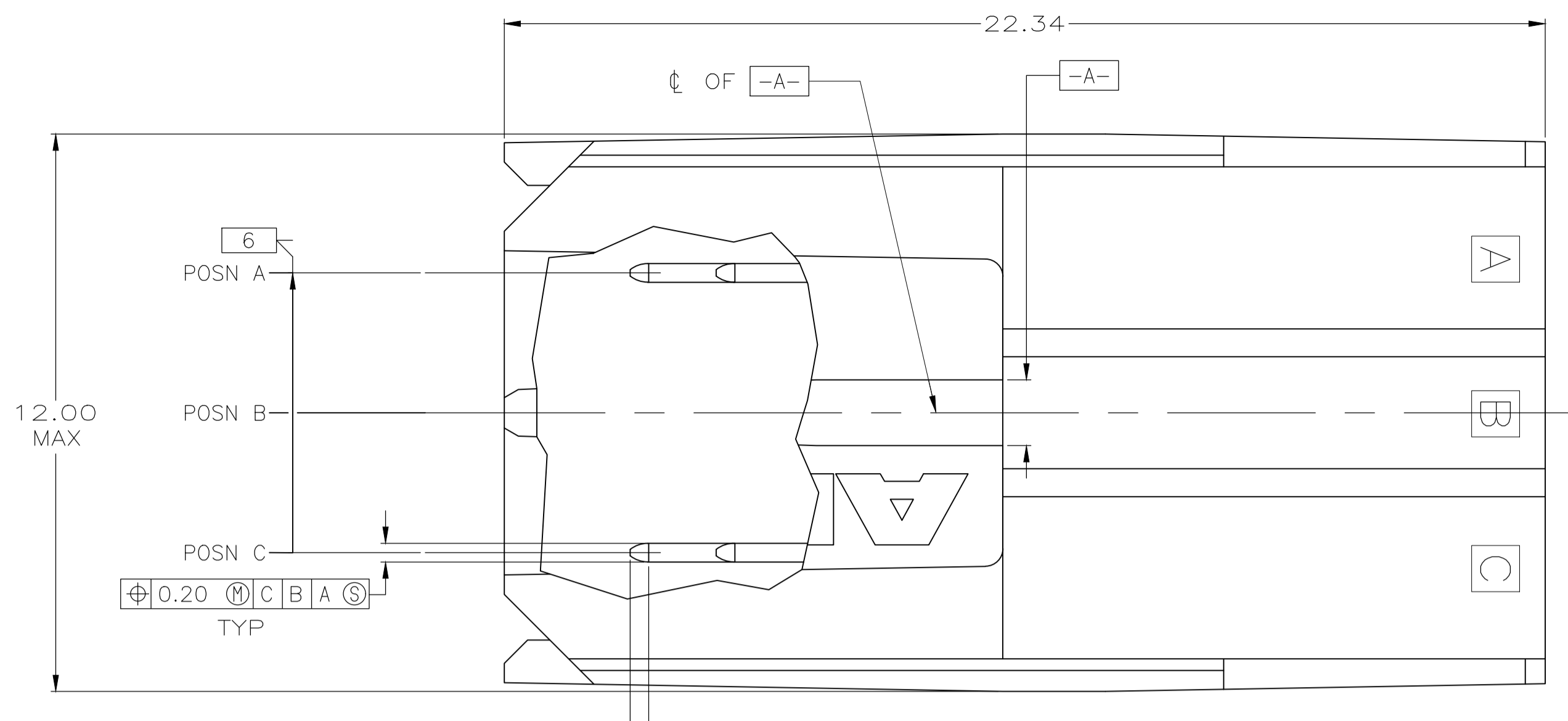
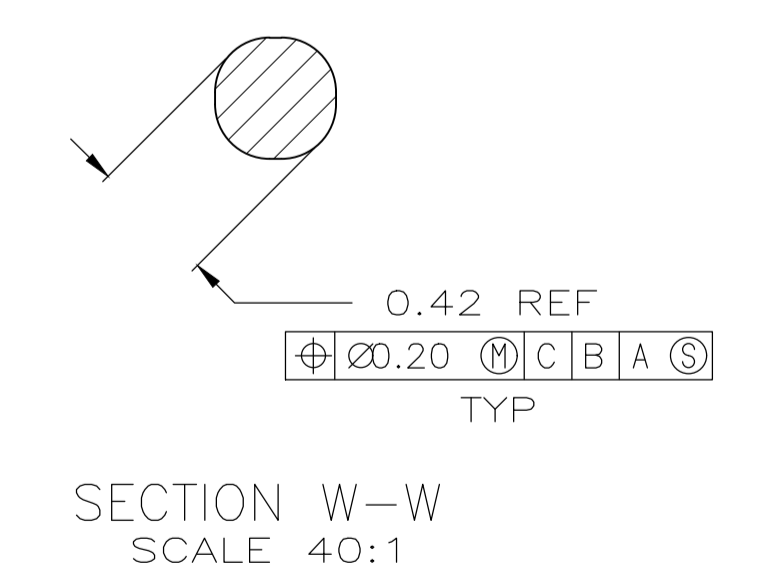
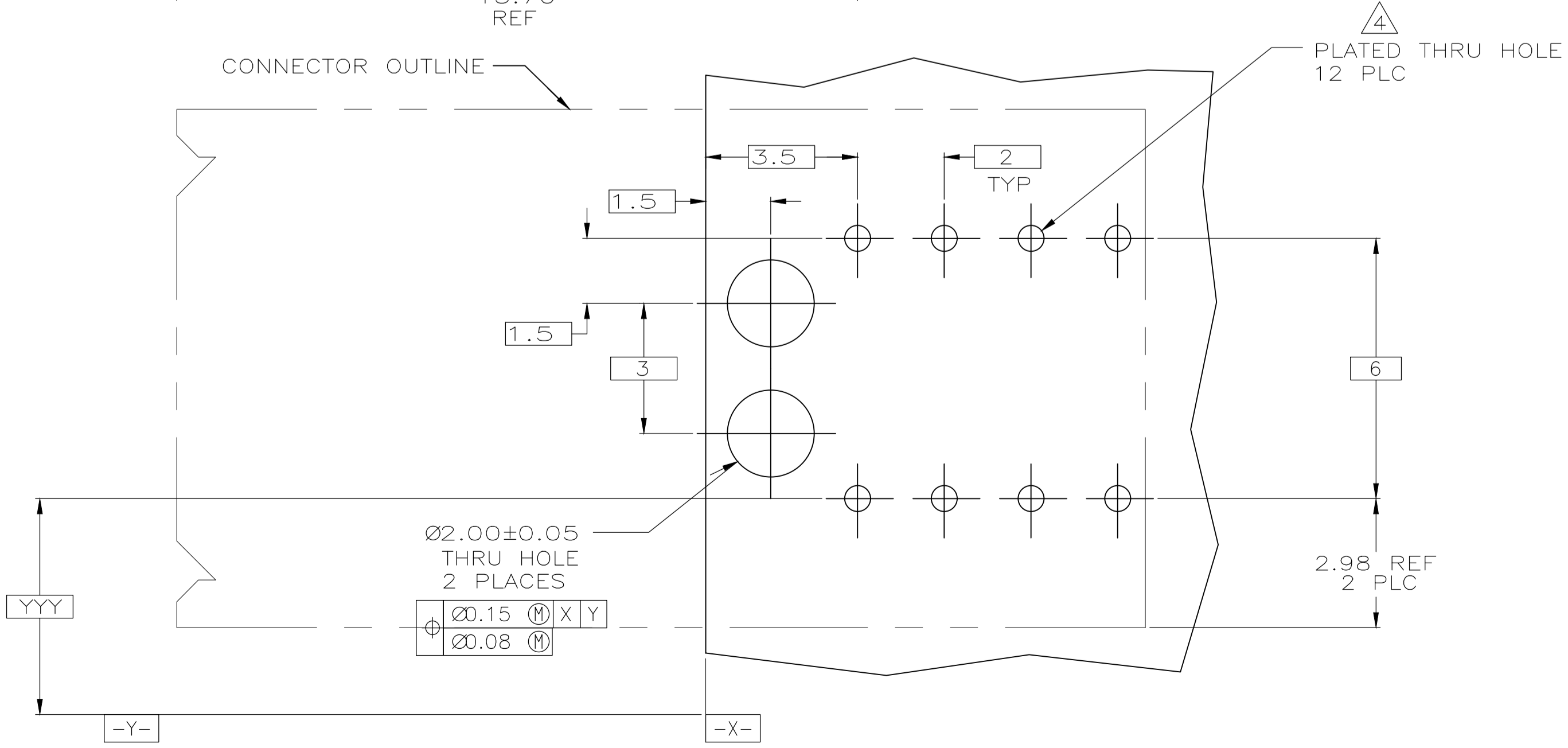
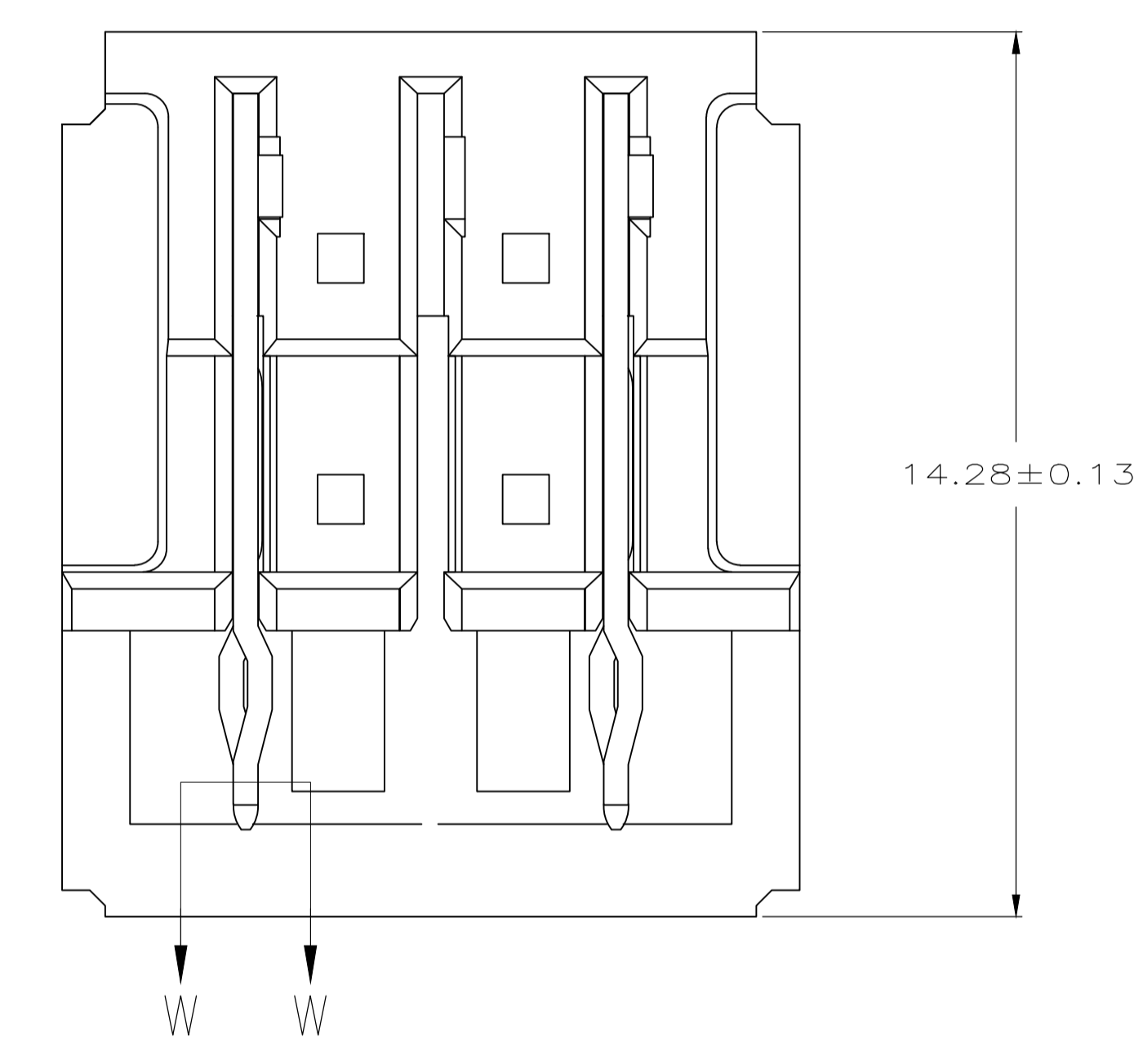
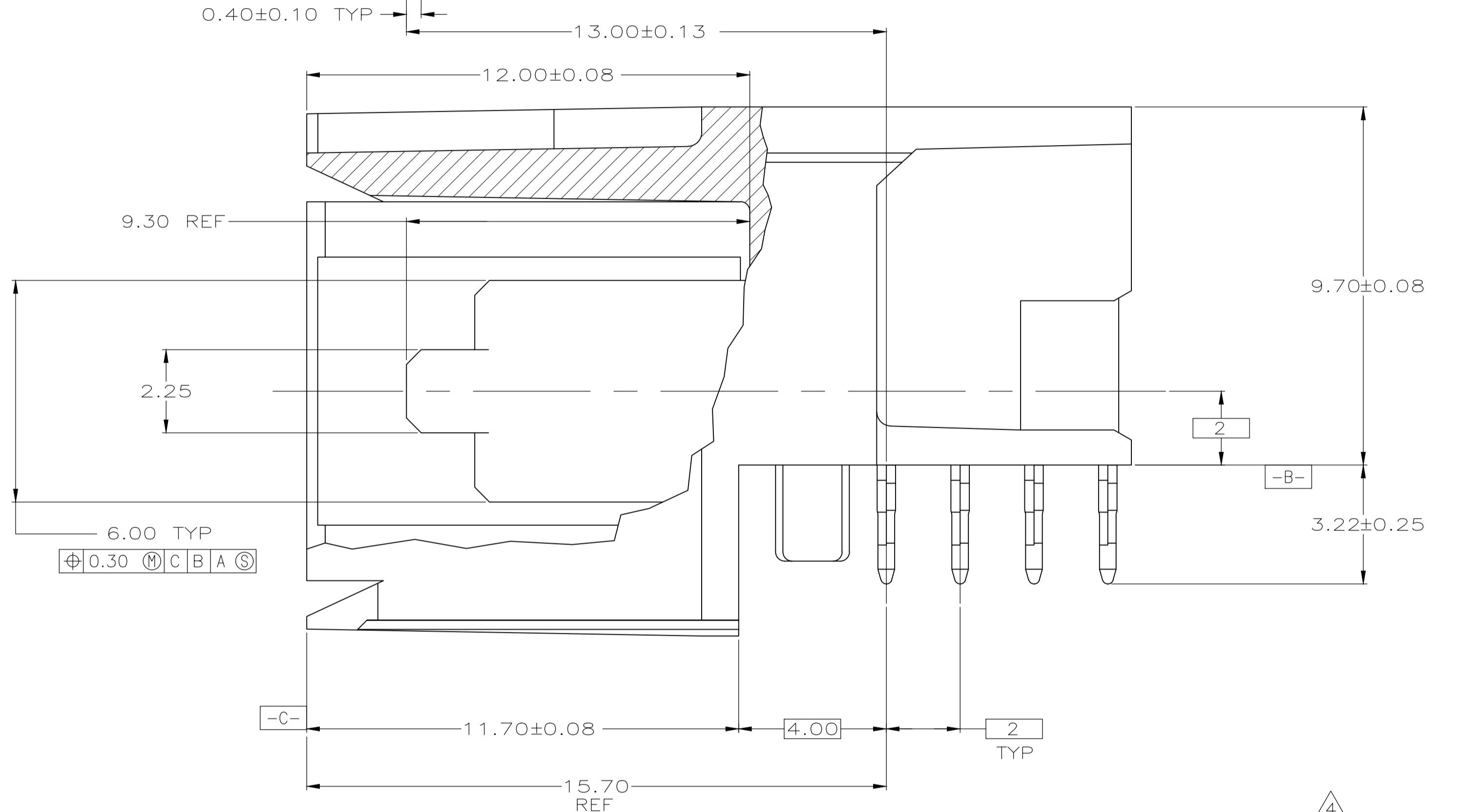
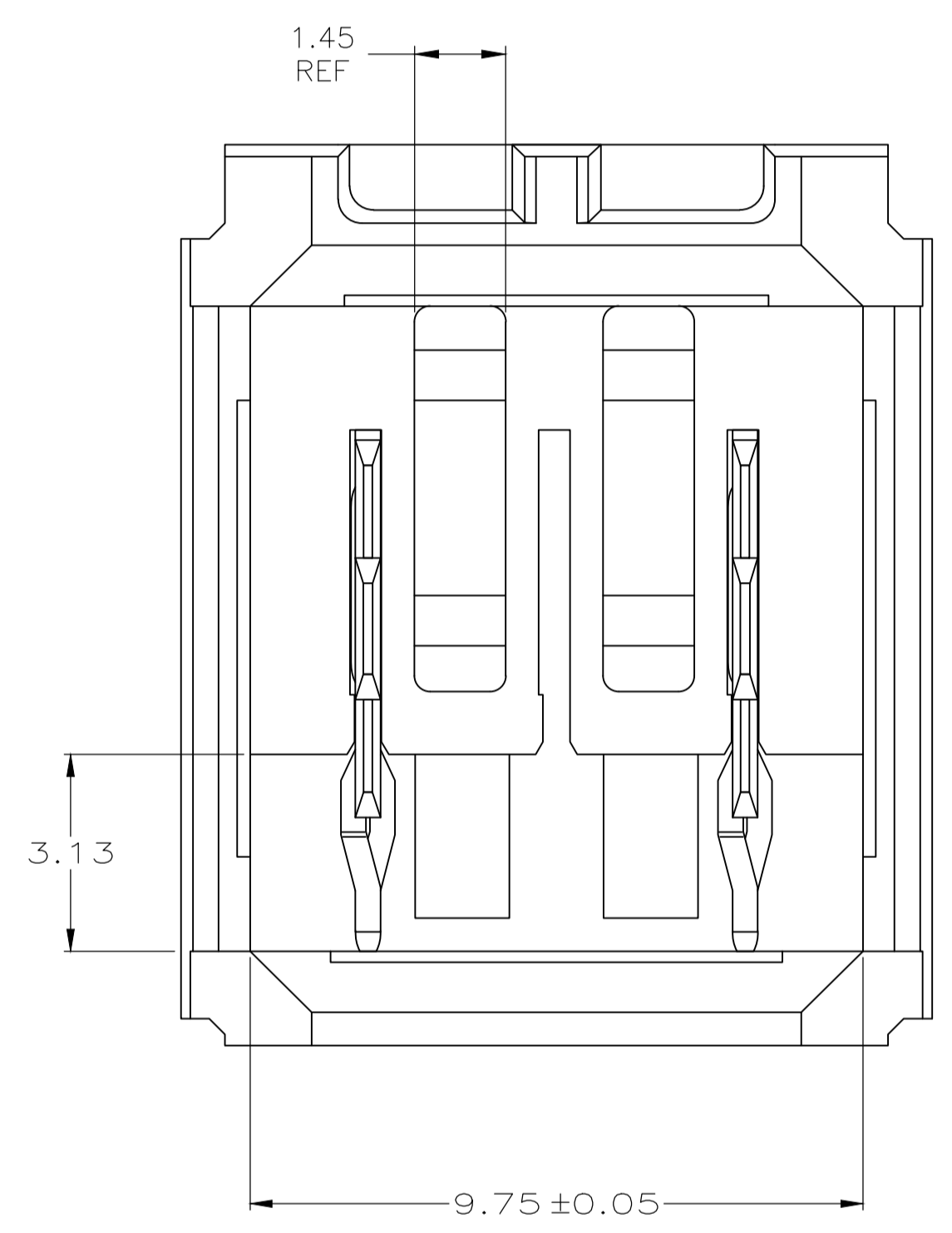


LOC		DIST		REVISIONS			
AD	00	REV	PER	DESCRIPTION	DATE	DWN	APVD
D1	REV PER	ECO-20-004668			08JUN2020	ML	SZ



- 1 MATERIAL: HOUSING: POLYESTER, COLOR: GRAY.
CONTACT: COPPER ALLOY
- 2 FINISH: IN ACCORDANCE WITH PRODUCT SPECIFICATION 108-1651, GOLD PLATING OR EQUIVALENT PLATING ON PRODUCT CONTACT MATING AREA, AND MATTE TIN PLATING ON COMPLIANT PIN AREA, ALL OVER MATTE NICKEL UNDERPLATED. DETAIL PLEASE REFER TO PRODUCT SPECIFICATION 108-1651.
- 3 FINISH: CONTACT LUBRICATION WITH BELLCORE APPROVED LUBRICANT. TECHNICAL REFERENCE: TR-NWT-001217 ISSUE 1, SEPT 1992.
- 4 REFERENCE APPLICATION SPEC 114-1103 FOR RECOMMENDED PLATED THRU HOLE DIAMETER AND PLATING THICKNESS.



5223975-1
PART NUMBER

THIS DRAWING IS A CONTROLLED DOCUMENT.		DIN B. CARBO 130EC04	Tyco Electronics Corporation Harrisburg, PA 17105-3608
DIMENSIONS: mm		CHK R. PATTERSON 130EC04	NAME R. PATTERSON 130EC04
TOLERANCES UNLESS OTHERWISE SPECIFIED:		PRODUCT SPEC 108-1651	ASSEMBLY, RIGHT ANGLE HEADER, W/ RETENTION PEGS, UNIVERSAL POWER MODULE
0 PLC ± -	1 PLC ± -	APPLICATION SPEC 114-1103	SIZE A1
2 PLC ± 0.13	3 PLC ± -	WEIGHT -	CAGE CODE 00779
4 PLC ± -	ANGLES ± -	RESTRICTED TO -	DRAWING NO 5223975
MATERIAL 1		CUSTOMER DRAWING	
FINISH 2, 3		SCALE 10:1	SHEET 1 of 1
		REV D1	

RECOMMENDED PCB HOLE LAYOUT