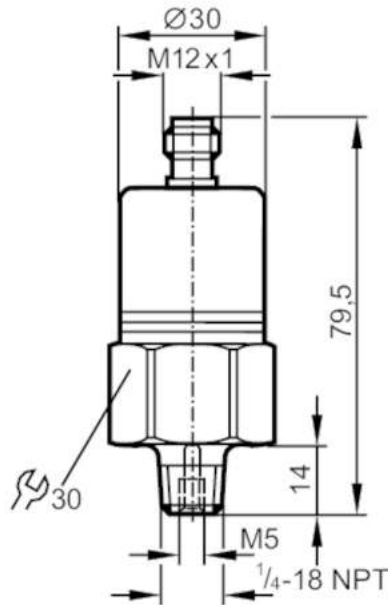


PX9111



Pressure transmitter with ceramic measuring cell

PA-300PSBN14-B-DVG/US/ IV



Product characteristics

Number of inputs and outputs	Number of analogue outputs: 1
Measuring range [psi]	0...3000
Process connection	threaded connection 1/4" NPT external thread internal thread:M5

Application

Special feature	Gold-plated contacts
Application	for industrial applications
Media	liquids and gases
Conditionally suitable for	use in gases at pressures > 25 bar only on request
Medium temperature [°C]	-25...90
Min. bursting pressure [psi]	12300
Pressure rating [psi]	5800
Type of pressure	relative pressure

Electrical data

Operating voltage [V]	16...32 DC
Current consumption [mA]	< 18
Min. insulation resistance [MΩ]	100; (500 V DC)
Protection class	III
Reverse polarity protection	yes

Inputs / outputs

Number of inputs and outputs	Number of analogue outputs: 1
------------------------------	-------------------------------

Outputs

Total number of outputs	1
Output signal	analogue signal

PX9111



Pressure transmitter with ceramic measuring cell

PA-300PSBN14-B-DVG/US/ IV

Number of analogue outputs		1
Analogue voltage output [V]		0...10
Min. load resistance [Ω]		2000
Overload protection		yes

Measuring/setting range

Measuring range [psi]		0...3000
-----------------------	--	----------

Accuracy / deviations

Repeatability [% of the span]		< 0,15; (with temperature fluctuations < 10 K)
Characteristics deviation [% of the span]		< $\pm 0,35$ (BFSL) / < $\pm 0,75$ (LS); (BFSL = Best Fit Straight Line; LS = limit value setting)
Long-term stability [% of the span]		< $\pm 0,05$; (per 6 months)
Temperature coefficient zero point [% of the span / 10 K]		0,2; (0...80 °C)
Temperature coefficient span [% of the span / 10 K]		0,3; (0...80 °C)

Response times

Step response time analogue output [ms]		3
---	--	---

Operating conditions

Ambient temperature [°C]		-25...80
Storage temperature [°C]		-40...100
Protection		IP 68; IP 69K

Tests / approvals

EMC	EN 61000-4-2 ESD	4 kV CD / 8 kV AD
	EN 61000-4-3 HF radiated	30 V/m
	EN 61000-4-4 Burst	2 kV
	EN 61000-4-6 HF conducted	10 V
	radiation of interference	according to the automotive directive 2004/104/EC / CISPR 25
	immunity	according to the automotive directive 2004/104/EC / ISO 11452-2
	HF radiated	100 V/m
pulse resistance	ISO 7637-2 / severity level 3	
Shock resistance	DIN IEC 68-2-27	50 g (11 ms)
Vibration resistance	DIN IEC 68-2-6	20 g (10...2000 Hz)
MTTF [years]		550
Pressure Equipment Directive		Sound engineering practice; can be used for group 2 fluids; group 1 fluids on request

Mechanical data

Weight [g]		214
Materials		stainless steel (1.4404 / 316L); FKM; PA; EPDM/X
Materials (wetted parts)		stainless steel (1.4305 / 303); ceramics; FKM
Min. pressure cycles		100 million
Process connection		threaded connection 1/4" NPT external thread internal thread:M5
Restrictor element integrated		no (can be retrofitted)

PX9111



Pressure transmitter with ceramic measuring cell

PA-300PSBN14-B-DVG/US/ IV

Remarks

Pack quantity

1 pcs.

Electrical connection

Connector: 1 x M12; coding: A; Contacts: gold-plated



Connection

