

Customer Information Sheet

DRAWING No.: S8411-45R SHEET 3 OF 4

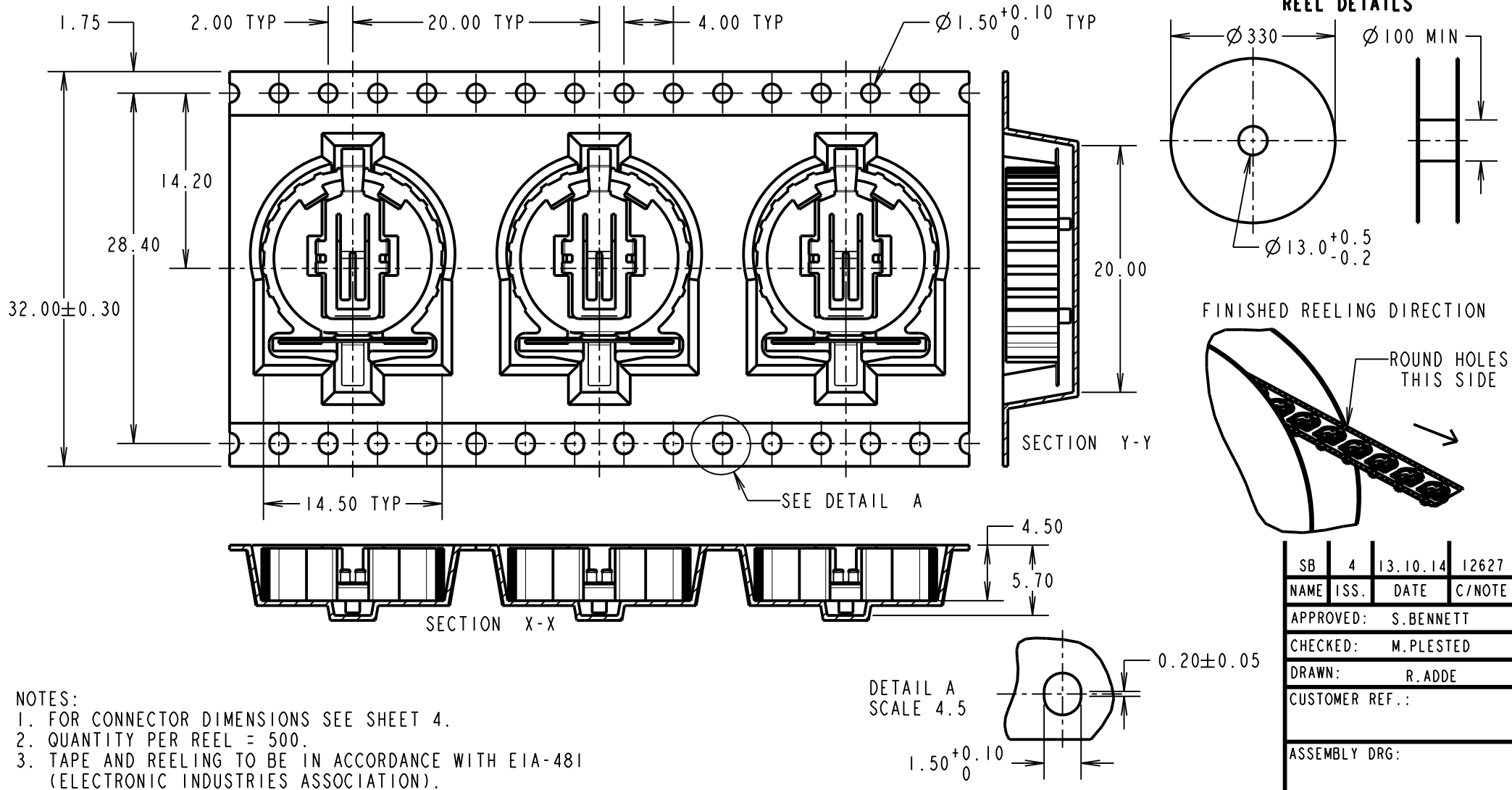
IF IN DOUBT - ASK

(C)

NOT TO SCALE

THIRD ANGLE PROJECTION

ALL DIMENSIONS IN mm



NOTES:

- FOR CONNECTOR DIMENSIONS SEE SHEET 4.
- QUANTITY PER REEL = 500.
- TAPE AND REELING TO BE IN ACCORDANCE WITH EIA-481 (ELECTRONIC INDUSTRIES ASSOCIATION).

HARWIN

www.harwin.com
technical@harwin.com

THIS DRAWING AND ANY INFORMATION OR DESCRIPTIVE MATTER SET OUT HEREON ARE CONFIDENTIAL AND COPYRIGHT PROPERTY OF THE HARWIN GROUP AND MUST NOT BE DISCLOSED, LOANED, COPIED OR USED FOR MANUFACTURING, TENDERING OR FOR ANY OTHER PURPOSE WITHOUT THEIR WRITTEN PERMISSION.

TOLERANCES
X. = ±1mm
X.X = ±0.25mm
X.XX = ±0.10mm
X.XXX = ±0.01mm
ANGLES = ±5°
UNLESS STATED

MATERIAL:
SEE SHEET 4
FINISH: SEE SHEET 4
S/AREA: mm²

TITLE:
SMT COIN CELL HOLDER
FOR CR1220, TAPE & REELED
DRAWING NUMBER:
S8411-45R
SHT 3 OF 4

Customer Information Sheet

DRAWING No.: S8411-45R

SHEET 4 OF 4

IF IN DOUBT - ASK

©

NOT TO SCALE

THIRD ANGLE PROJECTION

ALL DIMENSIONS IN mm

SPECIFICATIONS:

MATERIAL:

MOULDING: PPS, UL94V-0, BROWN

CONTACT: PHOSPHOR BRONZE

FINISH:

CONTACTS = GOLD FLASH OVER NICKEL

ELECTRICAL:

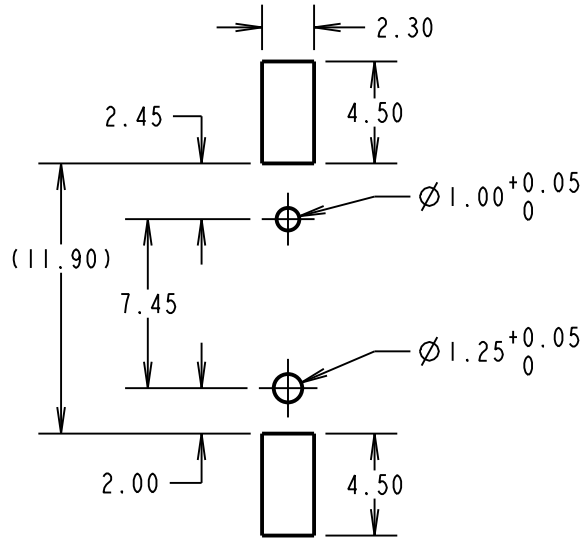
CONTACT RESISTANCE = 12mΩ

INSULATION RESISTANCE = 500MΩ

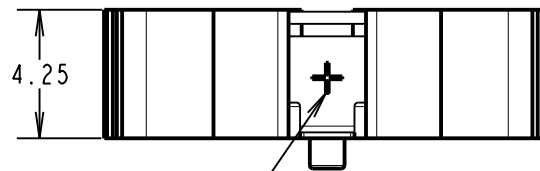
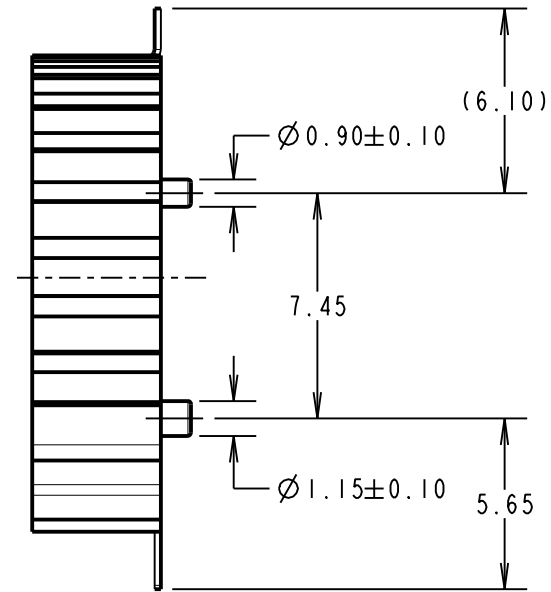
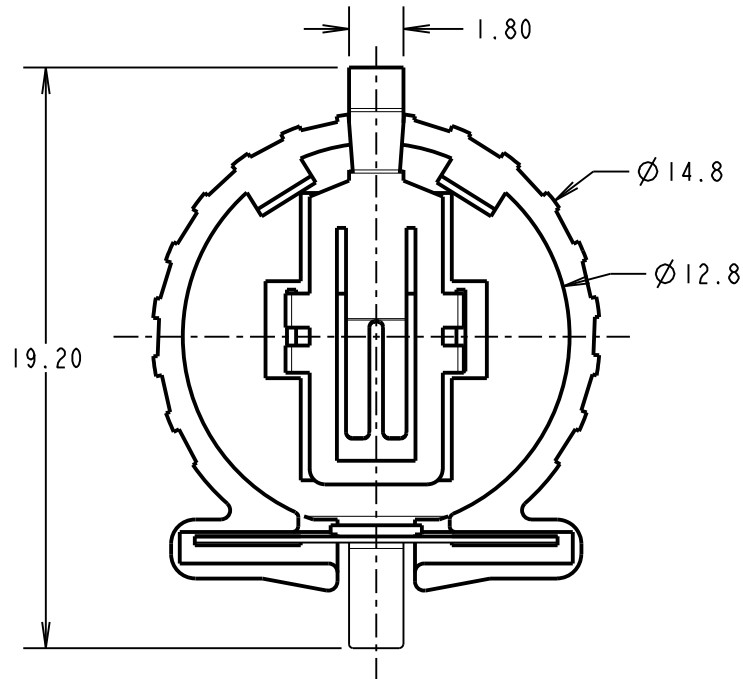
DIELECTRIC VOLTAGE = 500V AC FOR 1 MINUTE

ENVIRONMENTAL:

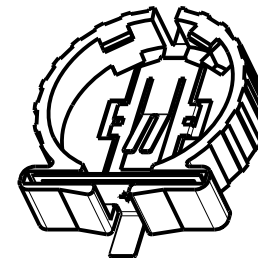
OPERATING TEMPERATURE = -55°C TO + 105°C



RECOMMENDED PCB LAYOUT



POLARITY MARKING, FOR DRAWING ILLUSTRATION ONLY



NOTES:

1. SUITABLE FOR THE FOLLOWING COIN CELL: CR1220.

2. ALL TOLERANCES ARE: X.X = ±0.25

X.XX = ±0.20 UNLESS OTHERWISE STATED.

SB	4	13.10.14	12627
NAME	ISS.	DATE	C/NOTE
APPROVED:		S.BENNETT	
CHECKED:		M.PLESTED	
DRAWN:		R.ADDE	
CUSTOMER REF.:			
ASSEMBLY DRG:			

HARWIN

www.harwin.com
technical@harwin.com

THIS DRAWING AND ANY INFORMATION OR DESCRIPTIVE MATTER SET OUT HEREON ARE CONFIDENTIAL AND COPYRIGHT PROPERTY OF THE HARWIN GROUP AND MUST NOT BE DISCLOSED, LOANED, COPIED OR USED FOR MANUFACTURING, TENDERING OR FOR ANY OTHER PURPOSE WITHOUT THEIR WRITTEN PERMISSION.

TOLERANCES
X = ±1mm
X.X = ±0.25mm
X.XX = ±0.10mm
X.XXX = ±0.01mm
ANGLES = ±5°
UNLESS STATED

MATERIAL:
SEE ABOVE
FINISH: SEE ABOVE
S/AREA: mm²

TITLE:
SMT COIN CELL HOLDER
FOR CR1220, TAPE & REELED
DRAWING NUMBER:
S8411-45R
SHT 4 OF 4