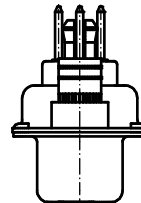
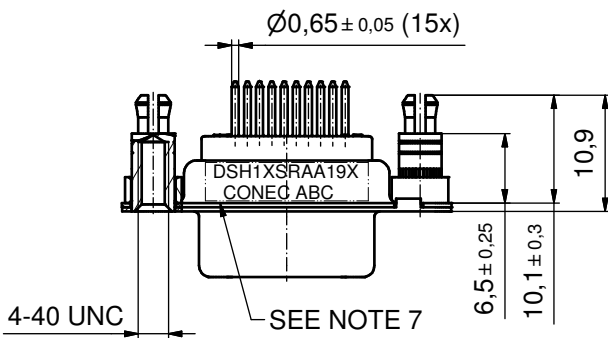
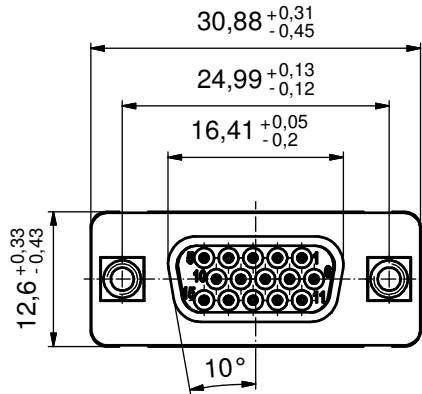
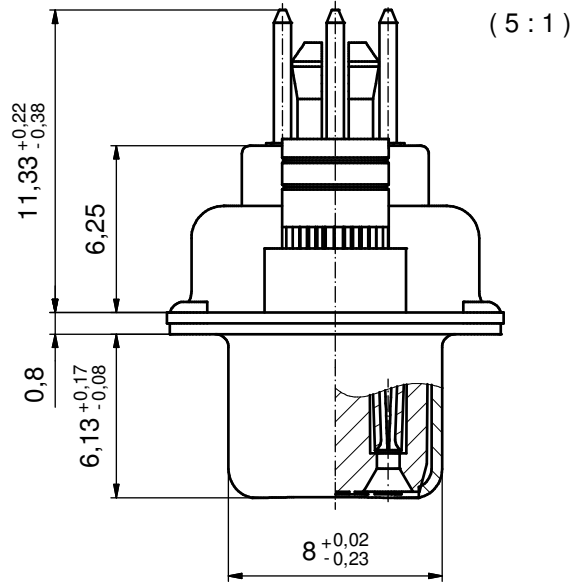
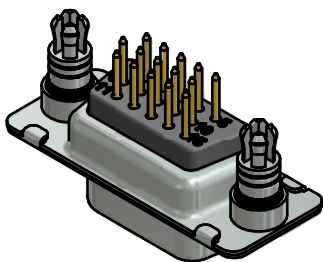


P.C.B. HOLE DRILLINGS
(P.C.B. TOP SIDE)



NOTES:

- METALSHELLS: STEEL; min. 315µm TIN over 40-80µm NICKEL
- INSULATORS: PBT GF UL 94 V-0; BLACK
- CONTACTS: COPPER ALLOY
PLATING: GOLD FLASH over NICKEL
- THREADED SPACER CLIPS: COPPER ALLOY; min. 200µm TIN over 80µm NICKEL
PCB-HOLE: $\varnothing 3,1 \pm 0,1$; PCB THICKNESS 2,3mm
- COLLARS: COPPER ALLOY; min. 200µm TIN over 80µm NICKEL
- MAXIMUM TORQUE VALUE FOR THREAD: 6 in.LB
- CONNECTOR IS PART MARKED: DSH1XSRAA19X CONEC ABC



Directive 2002/95/EC
„RoHS“
Compliant

| | | | | | | | | | | |
|---|-----------|-------------|------------|------|------------|--------|--------------|-----------------|--|--|
| THIS DRAWING MAY NOT BE COPIED OR REPRODUCED IN ANY WAY, AND MAY NOT BE PASSED ON TO A THIRD PARTY WITHOUT WRITTEN PERMISSION. OWNERSHIP AND COPYRIGHT OF CONEC GmbH DO NOT ALTER CAD DRAWING BY HAND | tolerance | | ISO 2768-m | | dim. in mm | scale: | | 2:1 (5:1) | | |
| | material: | | SEE NOTES | | | title: | | D-SUB HD FEMALE | | |
| | drawn | 23.11.10 | Henneboel | | appd. | | 23.11.10 | Koch | | |
| | norm | | | | | | | | | |
| | d-old | | | | | | | | | |
| | a | Origin | CONEC® | | dwg no: | | Inventor 10 | DIN-A3 | | |
| | rev. | description | date | name | part no: | | 16K1A2742 | sh: 1 | | |
| | | | | | part no: | | DSH1XSRAA19X | | | |