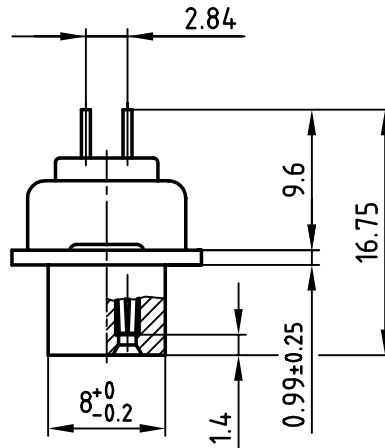
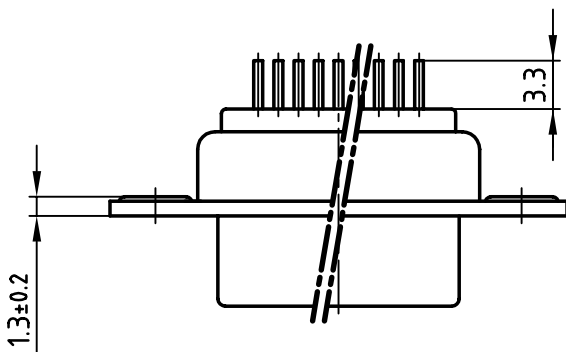
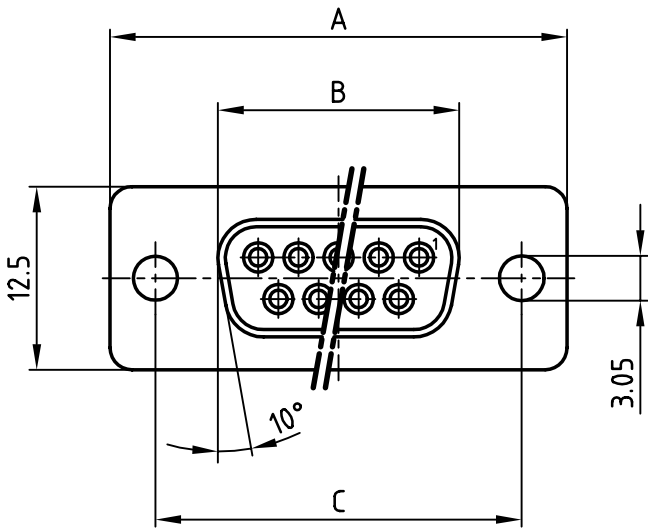


used for: D-SUB

Part-NO.	No. of pos.	A ± 0.2	B -0.2	C ± 0.2
302A509200X	9	30.8	16.41	25.0
302A515200X	15	39.2	24.74	33.3
302A525200X	25	53.0	38.51	47.0
302A537200X	37	69.4	54.94	63.5



THIS DRAWING MAY NOT BE COPIED OR REPRODUCED IN ANY WAY, AND MAY NOT BE PASSED ON TO A THIRD PARTY WITHOUT WRITTEN PERMISSION.
 OWNERSHIP AND COPYRIGHT OF CONEC GmbH
 DO NOT ALTER CAD DRAWING BY HAND

CONEC CORPORATION
 BRAMPTON, ONTARIO

tolerance



scale: 2:1

material:

2001	date	name
drawn	26.09.	Parei
appd.	26.09.	E. Mickenbecker
norm		
d-old		

title:

D-SUB FEMALE
 P.C. TAIL
 with $\phi 3.05$ mm through-hole

dwg no:

AutoCAD 2000

DIN-A

16K1A307A

4

sh: 1/1



part no:

SEE TABLE

4

3

2

1