

SMD ■ REFLECTOR EAPL3232RGBA0



Features

- Package in 12mm tape on 7" diameter reel
- Compatible with automatic placement equipment
- Various Compatible with infrared and vapor phase reflow solder process
- 6 Pins for separate control of each chip and better thermal management
- Good color fidelity and brightness uniformity across the viewing angle
- Pb-free
- RoHS compliant

Description

- The SMD LED package provides a perfect solution when users need a clear view of signage display with any size board with 3 in 1 full color SMD LEDs which offer smaller pixel pitch between two LEDs to create a high resolution and better contrast with its black surface design.

Applications

- Indoor signage display applications
- Indicator and backlighting for all consumer electronics.
- Gaming equipment.
- General use.

Device Selection Guide

Chip Materials	Emitted Color	Resin Color
AlGaInP	Brilliant Red	Water Diffuse
InGaN	Brilliant Green	
InGaN	Brilliant Blue	

Absolute Maximum Ratings (Ta=25°C)

Parameter	Symbol	Rating	Unit
Reverse Voltage	VR	5	V
Forward Current	IF	R:50 G:30 B:30	mA
Peak Forward Current (Duty 1/10 @1KHz)	IFP	R:100 G:100 B:100	mA
Power Dissipation	Pd	R:130 G:110 B:110	mW
Junction Temperature	Tj	100	°C
Operating Temperature	Topr	-40 ~ +85	°C
Storage Temperature	Tstg	-40 ~ +90	°C
ESD (Classification acc. AEC Q101)	ESDHBM	R:2000 G:1000 B:1000	V
Soldering Temperature	Tsol	Reflow Soldering : 260 °C for 30 sec. Hand Soldering : 350 °C for 3 sec.	

Electro-Optical Characteristics (Ta=25°C)

Parameter	Symbol		Min.	Typ.	Max.	Unit	Condition
Luminous Intensity	I _v	R	435	-----	900	mcd	I _F =20mA
		G	1045	-----	2210		
		B	280	-----	485		
Viewing Angle	2θ _{1/2}		-----	120	-----	deg	I _F =20mA
Peak Wavelength	λ _p	R		632		nm	I _F =20mA
		G	-----	518	-----		
		B		468			
Dominant Wavelength	λ _d	R	620.0		629.0	nm	I _F =20mA
		G	522.0	-----	534.0		
		B	462.0		474.0		
Spectrum Radiation Bandwidth	Δλ	R		20		nm	I _F =20mA
		G	-----	25	-----		
		B		25			
Forward Voltage	V _F	R	1.75		2.55	V	I _F =20mA
		G	2.75	-----	3.35		
		B	2.75		3.35		
Reverse Current	I _R		-----	-----	10	μA	V _R =5V

Note:

1. Tolerance of Luminous Intensity: ±10%
2. Tolerance of Dominant Wavelength: ±1nm
3. Tolerance of Forward Voltage: ±0.1V

Bin Range of Luminous Intensity(Red)

Bin Code	Min.	Max.	Unit	Condition
RA	435	520	mcd	I _F =20mA
RB	520	625		
RC	625	750		
RD	750	900		

Bin Range of Dominant Wavelength

Bin Code	Min.	Max.	Unit	Condition
R1	620.0	623.0	nm	I _F =20mA
R2	623.0	626.0		
R3	626.0	629.0		

Bin Range of Luminous Intensity(Green)

Bin Code	Min.	Max.	Unit	Condition
GA	1045	1275	mcd	I _F =20mA
GB	1275	1530		
GC	1530	1840		
GD	1840	2210		

Bin Range of Dominant Wavelength

Bin Code	Min.	Max.	Unit	Condition
G1	522.0	525.0	nm	I _F =20mA
G2	525.0	528.0		
G3	528.0	531.0		
G4	531.0	534.0		

Note:

- 1.Tolerance of Luminous Intensity: ±10%
- 2.Tolerance of Dominant Wavelength: ±1nm

Bin Range of Luminous Intensity(Blue)

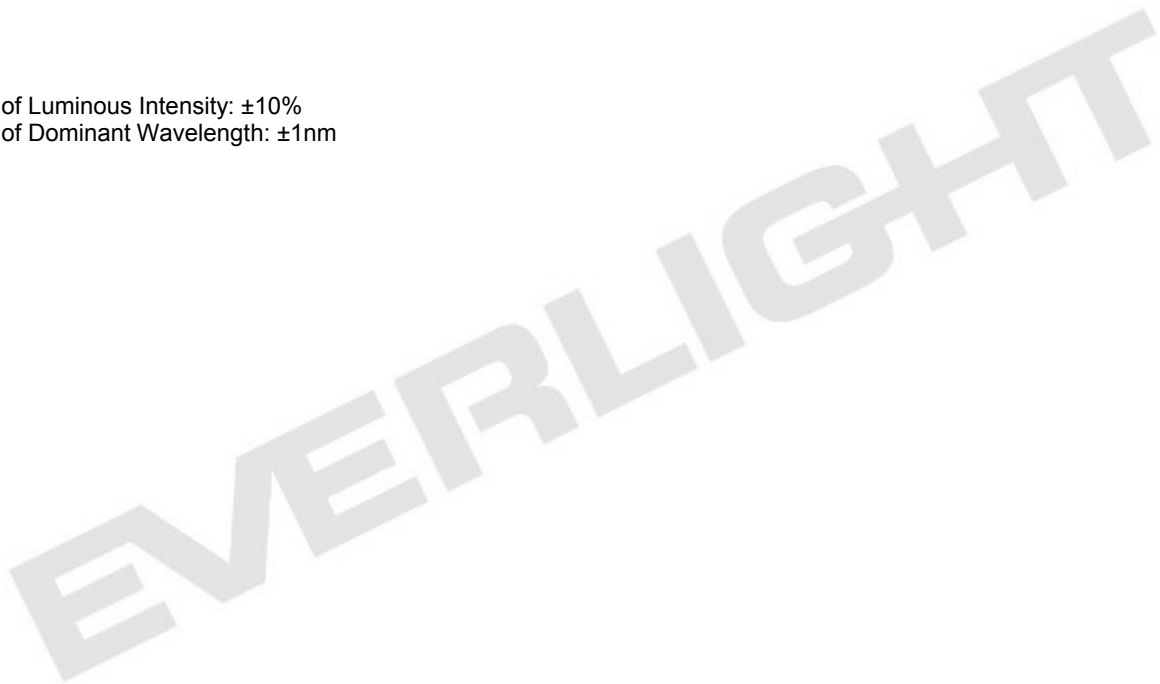
Bin Code	Min.	Max.	Unit	Condition
BA	280	335	mcd	I _F =20mA
BB	335	400		
BC	400	485		

Bin Range of Dominant Wavelength

Bin Code	Min.	Max.	Unit	Condition
B1	462.0	465.0	nm	I _F =20mA
B2	465.0	468.0		
B3	468.0	471.0		
B4	471.0	474.0		

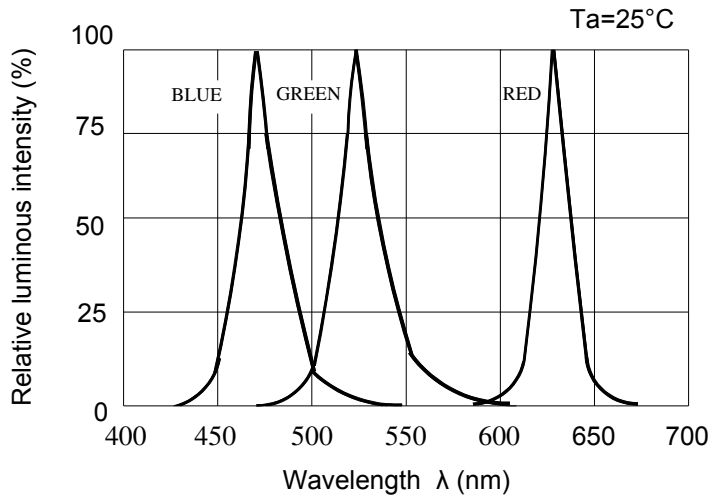
Note:

1. Tolerance of Luminous Intensity: ±10%
2. Tolerance of Dominant Wavelength: ±1nm

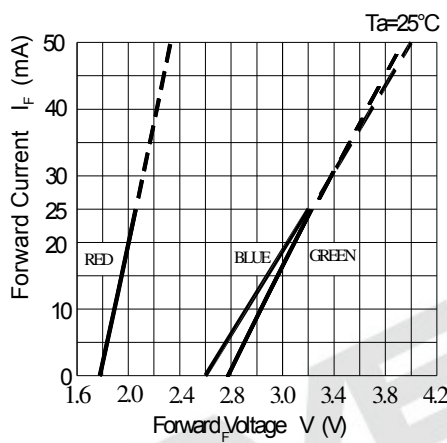


Typical Electro-Optical Characteristics Curves

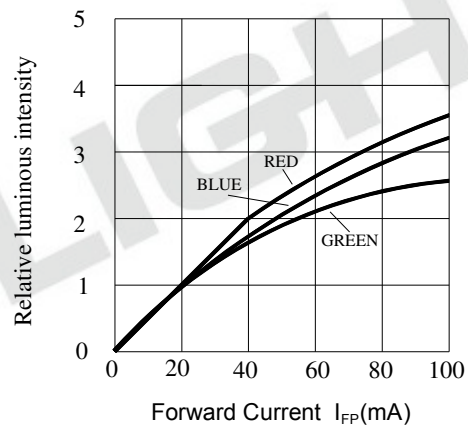
Spectrum Distribution



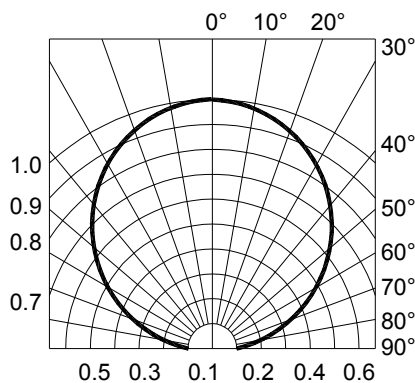
Forward Current vs. Forward Voltage



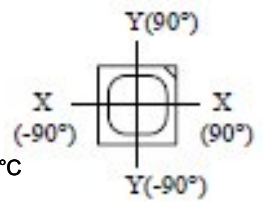
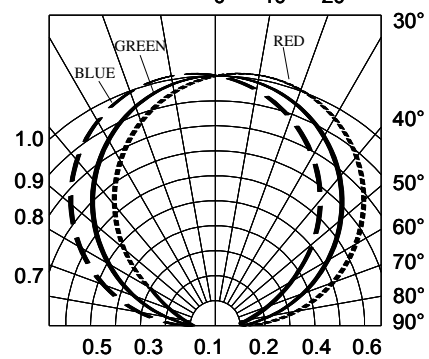
Forward Current Derating Curve



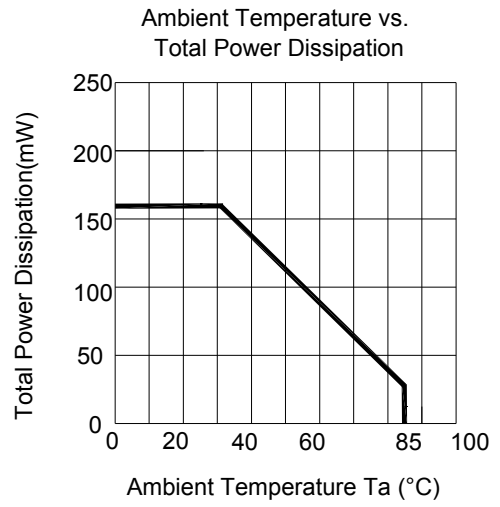
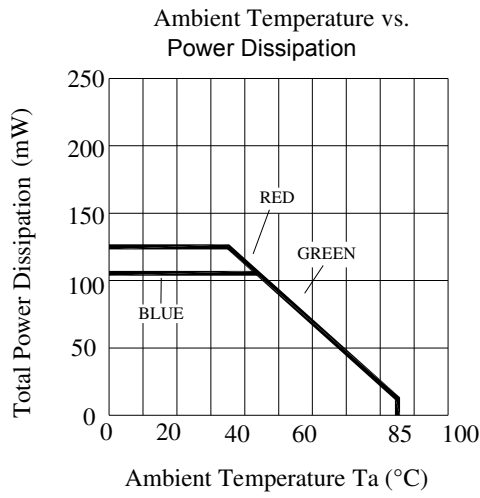
Radiation Diagram Ta=25°C



Radiation Diagram Ta=25°C

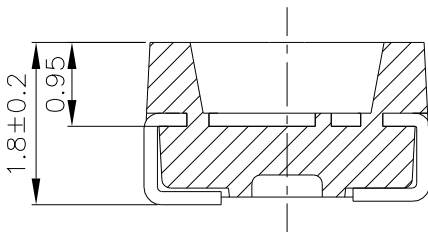
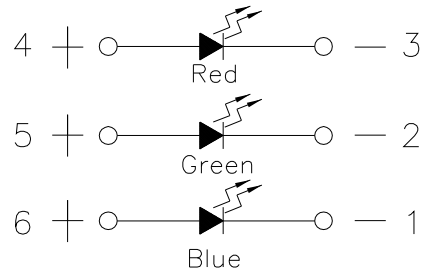
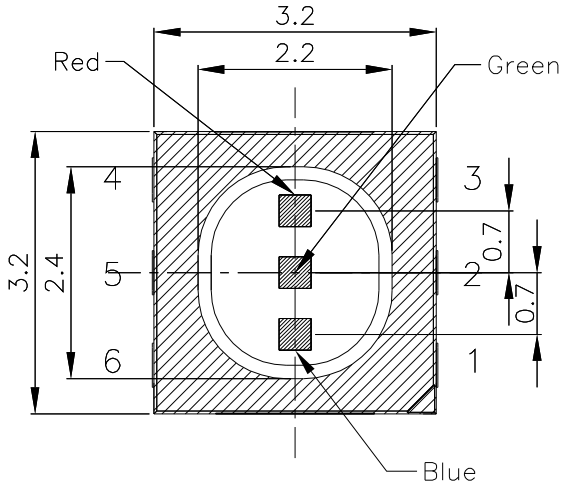


Typical Electro-Optical Characteristics Curves

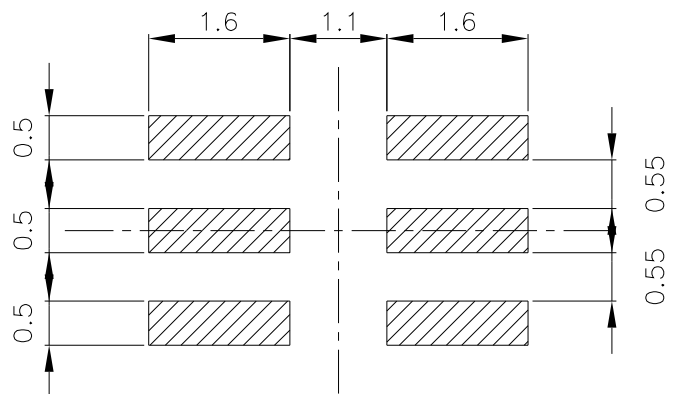
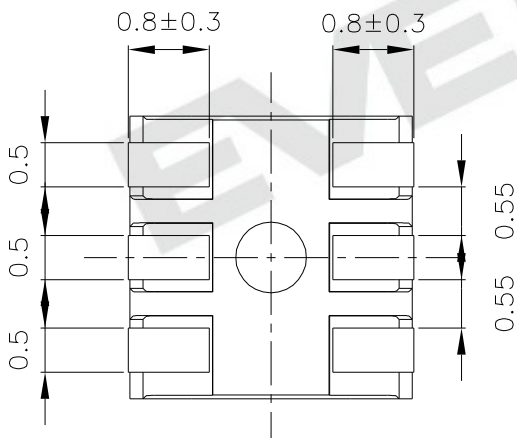


EVERLIGHT

Package Dimension



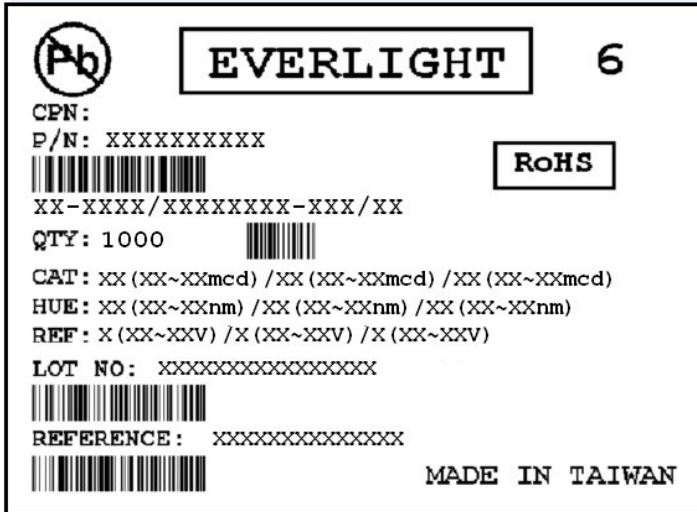
Recommended Solder Pad



Note: Tolerances unless mentioned ±0.1mm. Unit = mm

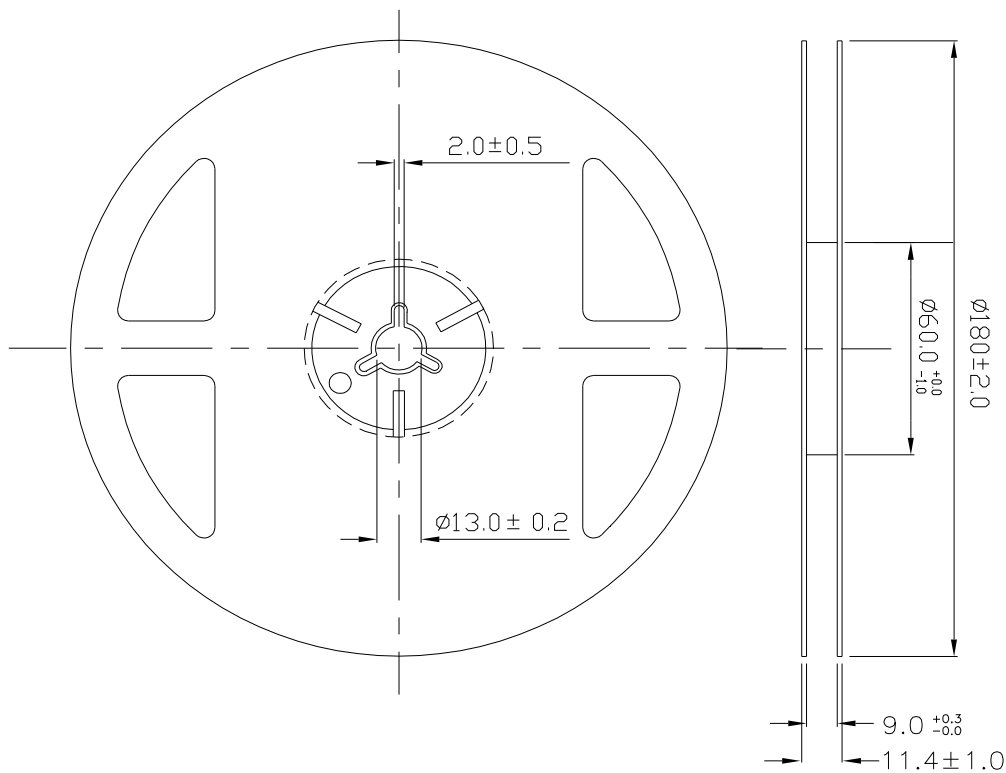
Moisture Resistant Packing Materials

Label Explanation



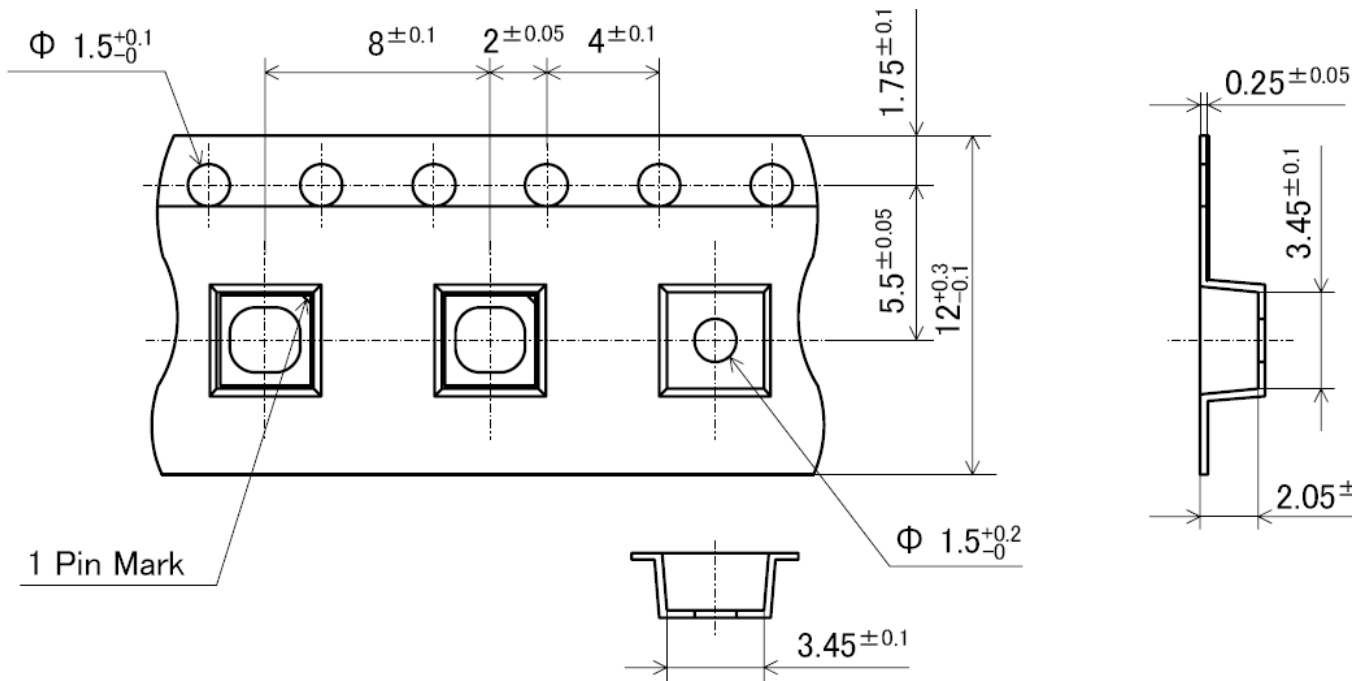
- CPN: Customer's Product Number
- P/N: Product Number
- QTY: Packing Quantity
- CAT: Luminous Intensity Rank
- HUE: Dom. Wavelength Rank
- REF: Forward Voltage Rank
- LOT No: Lot Number

Reel Dimensions



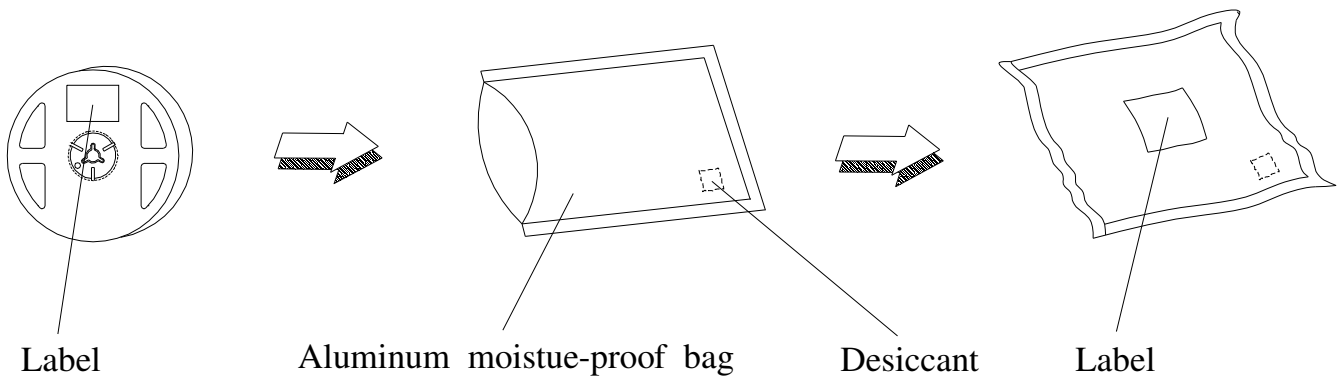
Carrier Tape Dimensions:

Minimum packing amount is 1000 pcs per reel



Note: Tolerances unless mentioned ± 0.1 mm. Unit = mm

Moisture Resistant Packing Process



Note: Tolerances unless mentioned ± 0.1 mm. Unit = mm

Precautions for Use

1. Over-current-proof

Customer must apply resistors for protection, otherwise slight voltage shift will cause big current change (Burn out will happen).

2. Storage

2.1 Do not open moisture proof bag before the products are ready to use.

2.2 Before opening the package: The LEDs should be kept at 30°C or less and 90%RH or less.

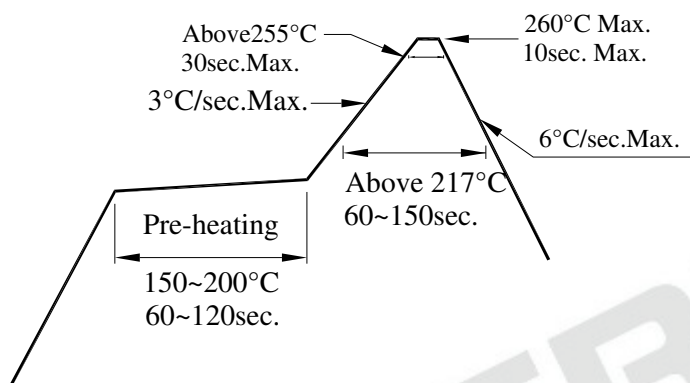
2.3 After opening the package: The LED's floor life is 168Hrs under 30°C or less and 60% RH or less. If unused LEDs remain, it should be stored in moisture proof packages.

2.4 If the moisture absorbent material (silica gel) has faded away or the LEDs have exceeded the storage time, baking treatment should be performed using the following conditions.

Baking treatment : 60±5°C for 24 hours.

3. Soldering Condition

3.1 Pb-free solder temperature profile



3.2 Reflow soldering should not be done more than two times.

3.3 When soldering, do not put stress on the LEDs during heating.

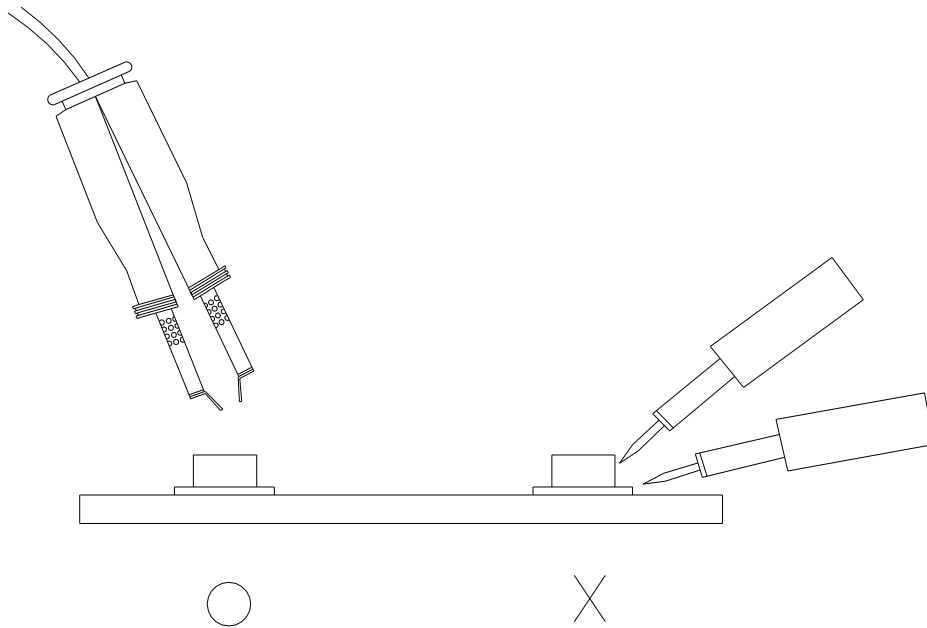
3.4 After soldering, do not warp the circuit board.

4. Soldering Iron

Each terminal is to go to the tip of soldering iron temperature less than 350°C for 3 seconds within once in less than the soldering iron capacity 25W. Leave two seconds and more intervals, and do soldering of each terminal. Be careful because the damage of the product is often started at the time of the hand solder.

5.Repairing

Repair should not be done after the LEDs have been soldered. When repairing is unavoidable, a double-head soldering iron should be used (as below figure). It should be confirmed beforehand whether the characteristics of the LEDs will or will not be damaged by repairing.



6.Directions for use

The LEDs should be operated with forward bias. The driving circuit must be designed so that the LEDs are not subjected to forward or reverse voltage while it is off. If reverse voltage is continuously applied to the LEDs, it may cause migration resulting in LED damage.

Application Restrictions

High reliability applications such as military/aerospace, automotive safety/security systems, and medical equipment may require different product. If you have any concerns, please contact Everlight Americas before using this product in your application. This specification guarantees the quality and performance of the product as an individual component. Do not use this product beyond the specification described in this document.