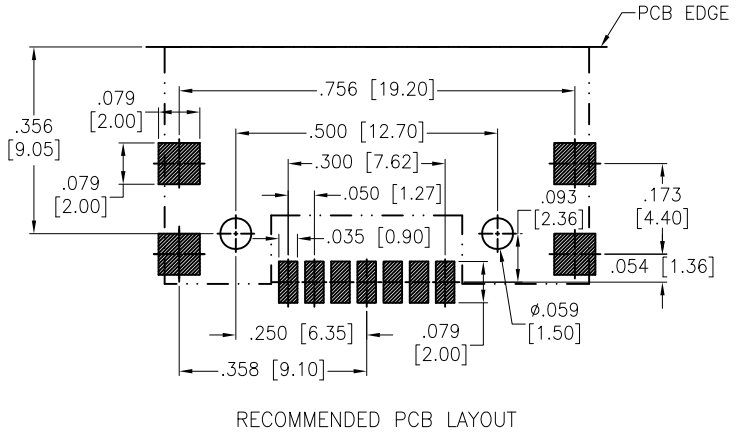
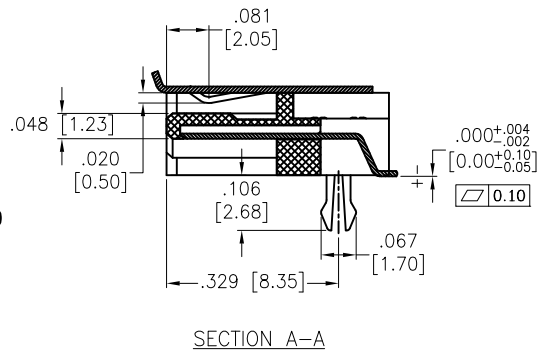
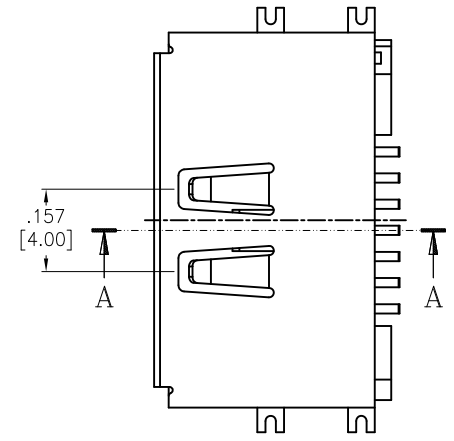
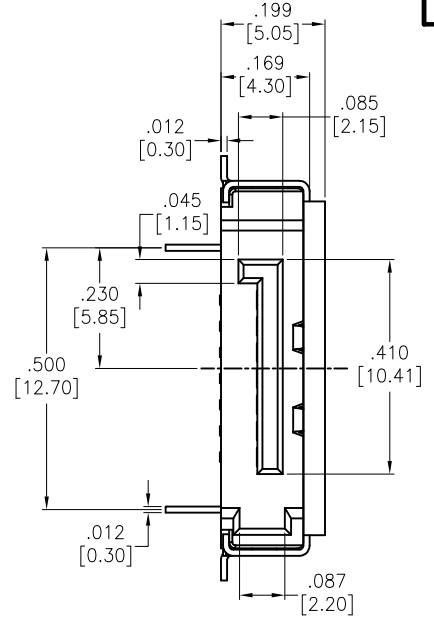
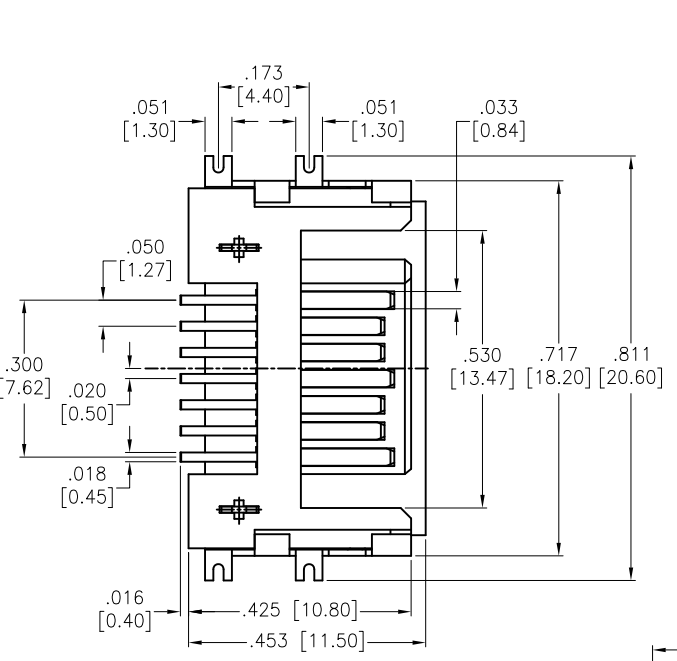


APPROVED: _____
DATE: _____ TITLE: _____

Rev	AWO #	Description	Date	Appr
-		RELEASED	12/10/07	
A		ADDED DIM.	6/03/11	
B		REVISED DIM.	09/21/12	
C		UPDATED DRAWING	8/4/17	HR/IC



SPECIFICATIONS:
Material:
 Insulator: Hi-Temp Thermoplastic, rated UL 94V-0
 Insulator color: Black
 Contacts: Phosphor Bronze
 Harpoon: Brass, Tin plated
 Shell: Brass, Nickel plated
Plating:
 Gold flash over Nickel underplate on Contact area,
 Tin over Nickel underplate on solder tails
Electrical:
 Current rating: 1.5 Amps per contact
 Contact resistance: 30 mohms max
 Insulation resistance: 1,000 Mohms min
 Dielectric withstanding voltage: 500 VAC
Mechanical:
 Insertion force: 45N max.
 Withdrawal force: 10N min.
 Durability: 50 cycles
 Temperature Rating:
 Operating temperature: -55°C to +85°C
Environmental:
 Lead free, RoHS compliant



UNLESS OTHERWISE SPECIFIED
ALL DIMENSIONS ARE INCHES [MM]
TOLERANCES: EXCEPT AS NOTED

INCHES		HOLES	
.X	± .10	Ø.X	± .10
.XX	± .020	Ø.XX	± .015
.XXX	± .015	Ø.XXX	± .010

APPROVALS		DATE
DRAWN	SS	12/10/07
CHECKED		
APPROVED		

ADAM TECH
 909 Rahway Avenue, Union, NJ 07083
 Phone: 908-687-5000 Fax: 908-687-5710

TITLE: SERIAL ATA CONNECTOR, TYPE B
 LEFT POLARIZATION, SURFACE MOUNT, KEY

SIZE X	PART NO. SATA-B-PL-SMT-K-BL	REV. C
REF: S00078T	SCALE: NTS	SHEET 1 OF 1

6 5 4 3 2 1

6 5 4 3 2 1

D

D

C

C

B

B

A

A