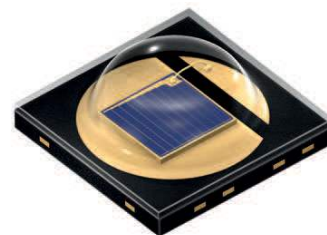


# OSLON Black Series (850 nm) - 150° Version 1.6

## SFH 4716AS



### Features:

- IR lightsource with high efficiency
- Double Stack emitter
- Low thermal resistance (Max. 9 K/W)
- Centroid wavelength 850 nm
- Superior Corrosion Robustness (see chapter package outlines)
- The product qualification test plan is based on the guidelines of AEC-Q101-REV-C, Stress Test Qualification for Automotive Grade Discrete Semiconductors.

### Applications

- Infrared Illumination for cameras
- Surveillance systems
- Machine vision systems
- Gesture recognition systems
- Eye tracking systems

### Notes

Depending on the mode of operation, these devices emit highly concentrated non visible infrared light which can be hazardous to the human eye. Products which incorporate these devices have to follow the safety precautions given in IEC 60825-1 and IEC 62471.

### Ordering Information

Type:	Radiant Intensity $I_e$ [mW/sr] $I_F = 1 \text{ A}, t_p = 10 \text{ ms}$	Ordering Code
SFH 4716AS	300 ( $\geq 200$ )	Q65111A6856
SFH 4716AS-BBCA	200 ... 400	Q65111A8237

Note: measured at a solid angle of  $\Omega = 0.01 \text{ sr}$

**Maximum Ratings** ( $T_A = 25\text{ °C}$ )

Parameter	Symbol	Values	Unit
Operating temperature range	$T_{op}$	-40 ... 125	°C
Storage temperature range	$T_{stg}$	-40 ... 125	°C
Junction temperature	$T_j$	145	°C
Reverse voltage	$V_R$	1	V
Forward current	$I_F$	1500	mA
Surge current ( $t_p = 2\text{ ms}$ , $D = 0$ )	$I_{FSM}$	3	A
Power consumption	$P_{tot}$	5.8	W
Thermal resistance junction - solder point	$R_{thJS}$	9	K / W
ESD withstand voltage (acc. to ANSI/ ESDA/ JEDEC JS-001 - HBM)	$V_{ESD}$	2	kV

*Note:* For the forward current and power consumption please see "maximum permissible forward current" diagram

**Characteristics** ( $T_A = 25\text{ °C}$ )

Parameter	Symbol	Values	Unit
Peak wavelength ( $I_F = 1\text{ A}$ , $t_p = 10\text{ ms}$ )	(typ) $\lambda_{peak}$	860	nm
Centroid wavelength ( $I_F = 1\text{ A}$ , $t_p = 10\text{ ms}$ )	(typ) $\lambda_{centroid}$	850	nm
Spectral bandwidth at 50% of $I_{max}$ ( $I_F = 1\text{ A}$ , $t_p = 10\text{ ms}$ )	(typ) $\Delta\lambda$	30	nm
Half angle	(typ) $\varphi$	$\pm 75$	°
Dimensions of active chip area	(typ) L x W	1 x 1	mm x mm
Rise and fall times of $I_e$ ( 10% and 90% of $I_{e,max}$ ) ( $I_F = 3\text{ A}$ , $R_L = 50\ \Omega$ )	(typ) $t_r / t_f$	11/ 14	ns
Forward voltage ( $I_F = 1\text{ A}$ , $t_p = 10\text{ ms}$ )	(typ (max)) $V_F$	3.2 ( $\leq 3.6$ )	V
Forward voltage ( $I_F = 1.5\text{ A}$ , $t_p = 100\ \mu\text{s}$ )	(typ (max)) $V_F$	3.35 ( $\leq 3.85$ )	V
Forward voltage ( $I_F = 3\text{ A}$ , $t_p = 100\ \mu\text{s}$ )	(typ ) $V_F$	3.8 ( $\leq 4.7$ )	V
Reverse current ( $V_R = 5\text{ V}$ )	$I_R$	not designed for reverse operation	$\mu\text{A}$

Parameter		Symbol	Values	Unit
Total radiant flux ( $I_F = 1.5 \text{ A}$ , $t_p = 100 \mu\text{s}$ )	(typ)	$\Phi_e$	1900	mW
Total radiant flux ( $I_F = 1 \text{ A}$ , $t_p = 10 \text{ ms}$ )	(typ)	$\Phi_e$	1270	mW
Temperature coefficient of $I_e$ or $\Phi_e$ ( $I_F = 1 \text{ A}$ , $t_p = 10 \text{ ms}$ )	(typ)	$TC_I$	-0.3	% / K
Temperature coefficient of $V_F$ ( $I_F = 1 \text{ A}$ , $t_p = 10 \text{ ms}$ )	(typ)	$TC_V$	-2	mV / K
Temperature coefficient of wavelength ( $I_F = 1 \text{ A}$ , $t_p = 10 \text{ ms}$ )	(typ)	$TC_\lambda$	0.3	nm / K

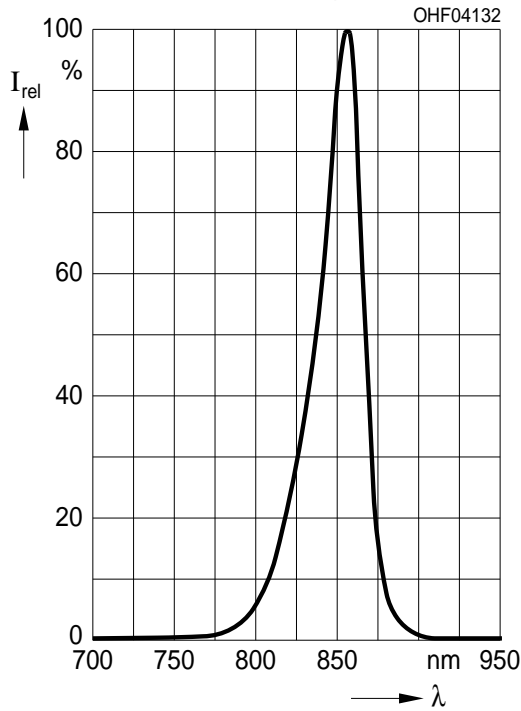
#### Grouping ( $T_A = 25 \text{ }^\circ\text{C}$ )

Group	Min Radiant Intensity	Max Radiant Intensity
	$I_F = 1 \text{ A}$ , $t_p = 10 \text{ ms}$ $I_{e, \text{min}}$ [mW / sr]	$I_F = 1 \text{ A}$ , $t_p = 10 \text{ ms}$ $I_{e, \text{max}}$ [mW / sr]
SFH 4716AS -BB	200	320
SFH 4716AS -CA	250	400
SFH 4716AS -CB	320	500

Note: measured at a solid angle of  $\Omega = 0.01 \text{ sr}$   
Only one group in one packing unit (variation lower 1.6:1).

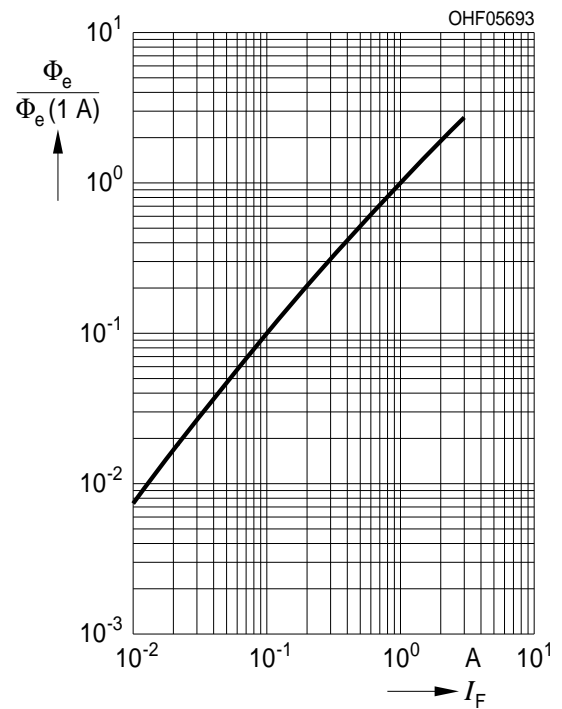
**Relative Spectral Emission** <sup>1) page 13</sup>

$I_{rel} = f(\lambda)$ ,  $T_A = 25\text{ °C}$ ,  $I_F = 1\text{ A}$ ,  $t_p = 10\text{ ms}$



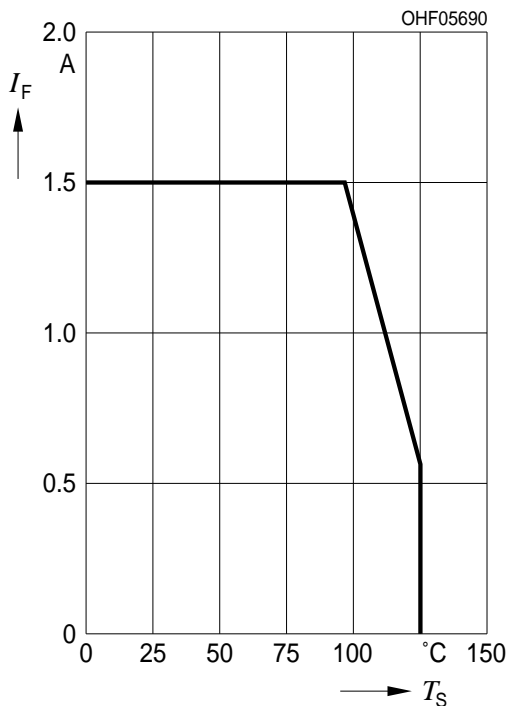
**Relative Total Radiant Flux** <sup>1) page 13</sup>

$\Phi_e / \Phi_e(1\text{ A}) = f(I_F)$ ,  $T_A = 25\text{ °C}$ , Single pulse,  $t_p = 100\text{ }\mu\text{s}$



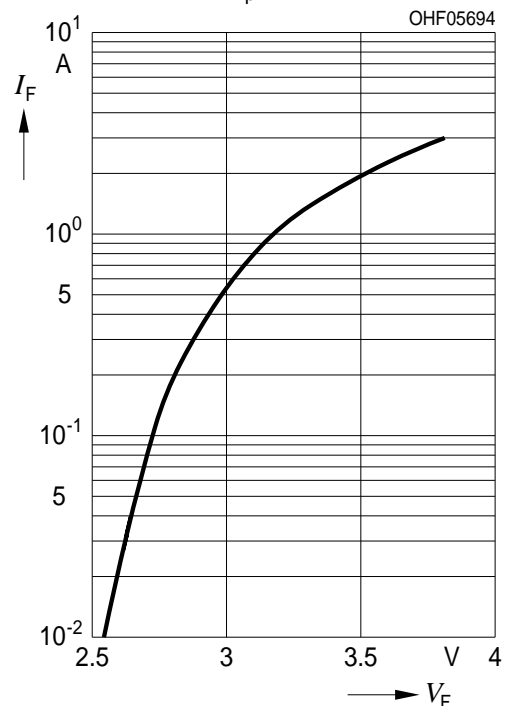
**Max. Permissible Forward Current**

$I_F = f(T_S)$ ,  $R_{thJS} = 9\text{ K/W}$



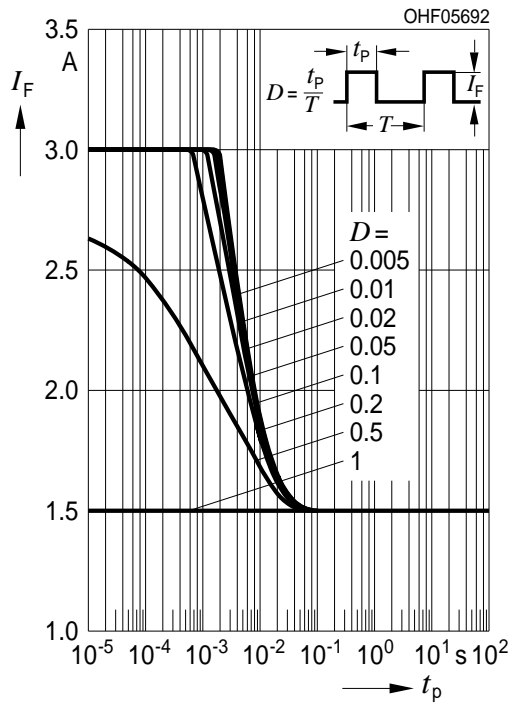
**Forward Current** <sup>1) page 13</sup>

$I_F = f(V_F)$ , single pulse,  $t_p = 100\text{ }\mu\text{s}$ ,  $T_A = 25\text{ °C}$



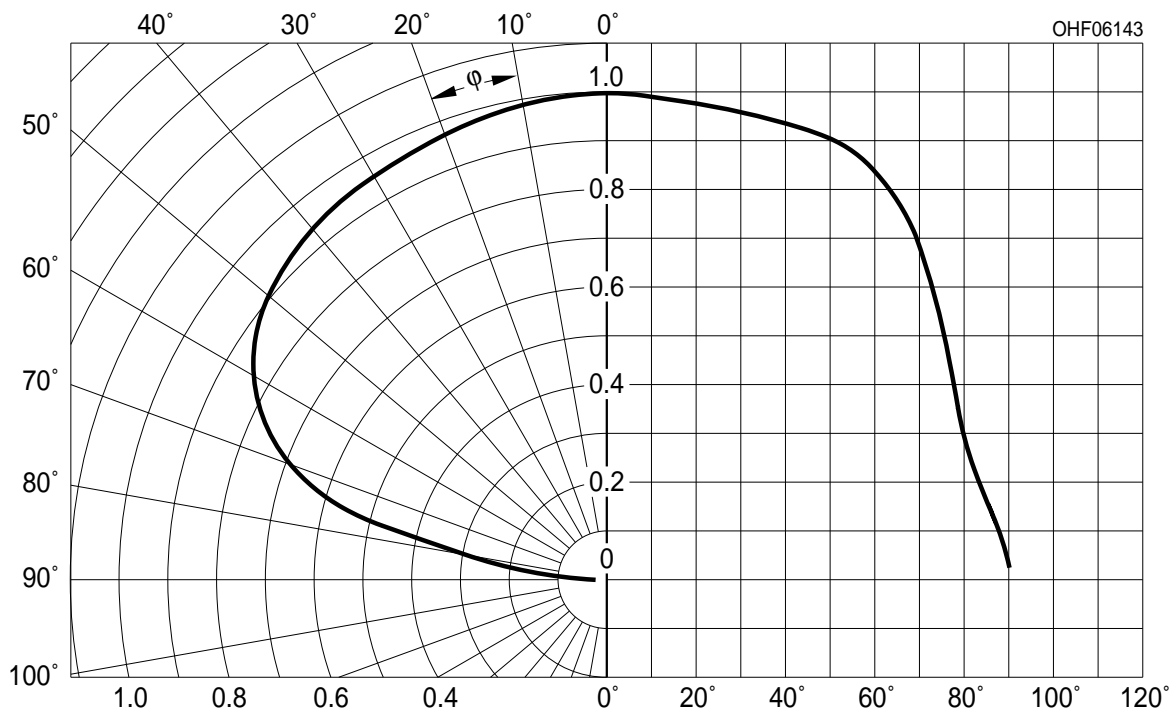
**Permissible Pulse Handling Capability**

$I_F = f(t_p)$ ,  $T_S = 85\text{ °C}$ , duty cycle  $D = \text{parameter}$

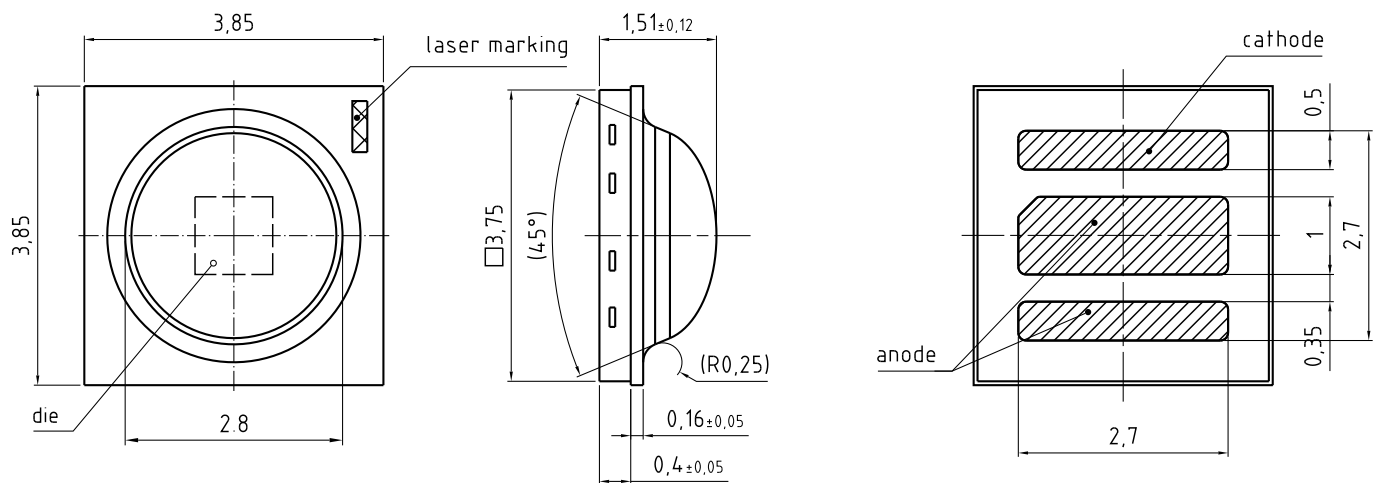


**Radiation Characteristics** <sup>1) page 13</sup>

$I_{rel} = f(\phi)$ ,  $T_A = 25\text{ °C}$



## Package Outline



general tolerance  $\pm 0.1$

lead finish Au 

C66062-A0054-A3 -01

Dimensions in mm.

### Package

OSLON Black Series

### Approximate Weight:

31 mg

### Note:

Package is not suitable for ultra sonic cleaning.

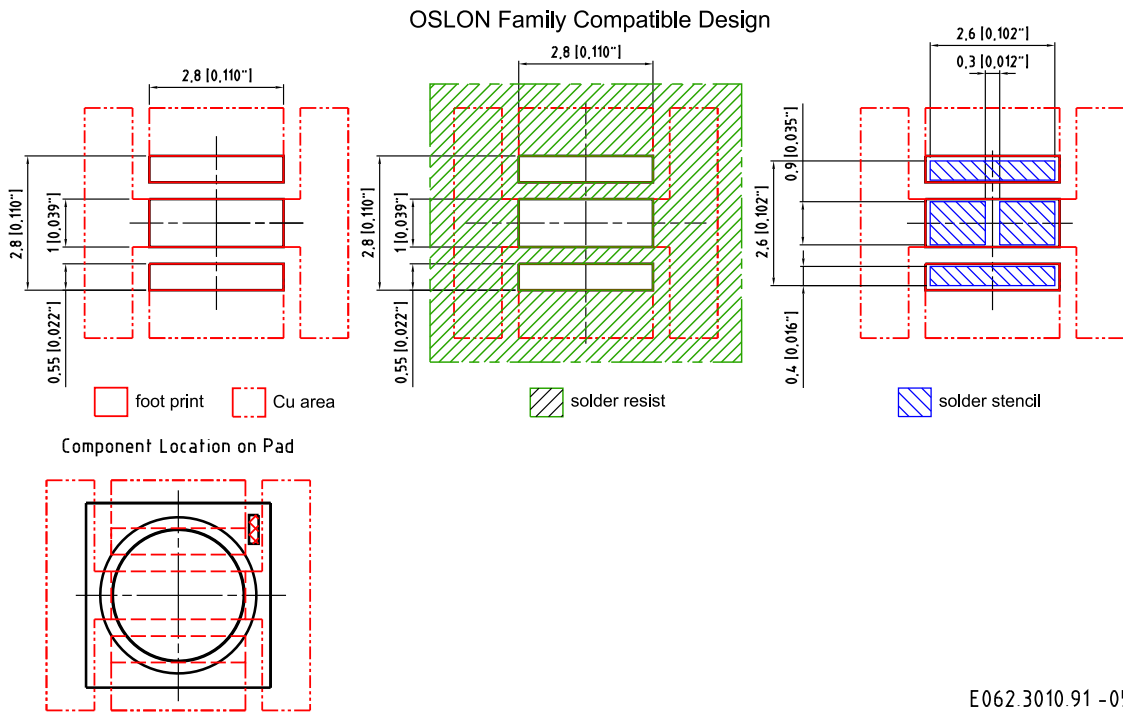
### Note:

**Corrosion robustness better than EN 60068-2-60 (method 4):** with enhanced corrosion test: 40°C / 90%rh / 15ppm H<sub>2</sub>S / 336h

### Note:

**Anode mark:** the chamfered edge of the center pad points to the cathode

Recommended Solder Pad



E062.3010.91 -05

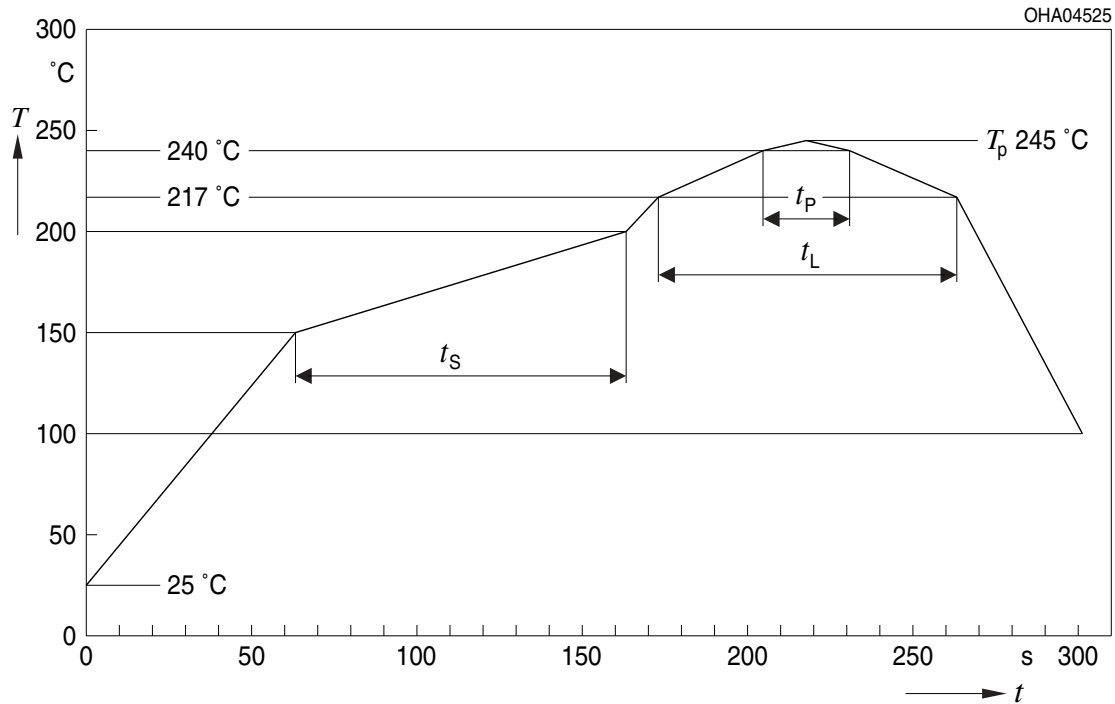
Dimensions in mm [inch].

Note:

For superior solder joint connectivity results we recommend soldering under standard nitrogen atmosphere.

## Reflow Soldering Profile

Product complies to MSL Level 2 acc. to JEDEC J-STD-020E



OHA04612

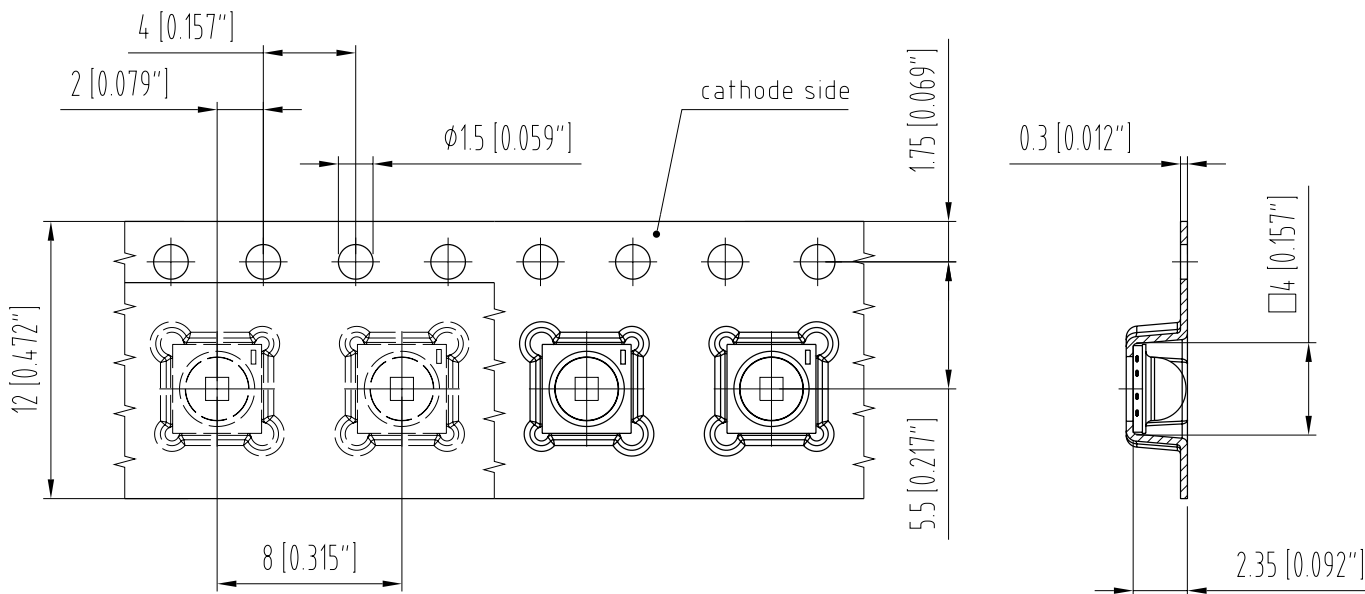
Profile Feature Profil-Charakteristik	Symbol Symbol	Pb-Free (SnAgCu) Assembly			Unit Einheit
		Minimum	Recommendation	Maximum	
Ramp-up rate to preheat*) 25 °C to 150 °C			2	3	K/s
Time $t_s$ $T_{Smin}$ to $T_{Smax}$	$t_s$	60	100	120	s
Ramp-up rate to peak*) $T_{Smax}$ to $T_p$			2	3	K/s
Liquidus temperature	$T_L$		217		°C
Time above liquidus temperature	$t_L$		80	100	s
Peak temperature	$T_p$		245	260	°C
Time within 5 °C of the specified peak temperature $T_p - 5$ K	$t_p$	10	20	30	s
Ramp-down rate* $T_p$ to 100 °C			3	6	K/s
Time 25 °C to $T_p$				480	s

All temperatures refer to the center of the package, measured on the top of the component

\* slope calculation  $DT/Dt$ :  $Dt$  max. 5 s; fulfillment for the whole T-range



**Taping**

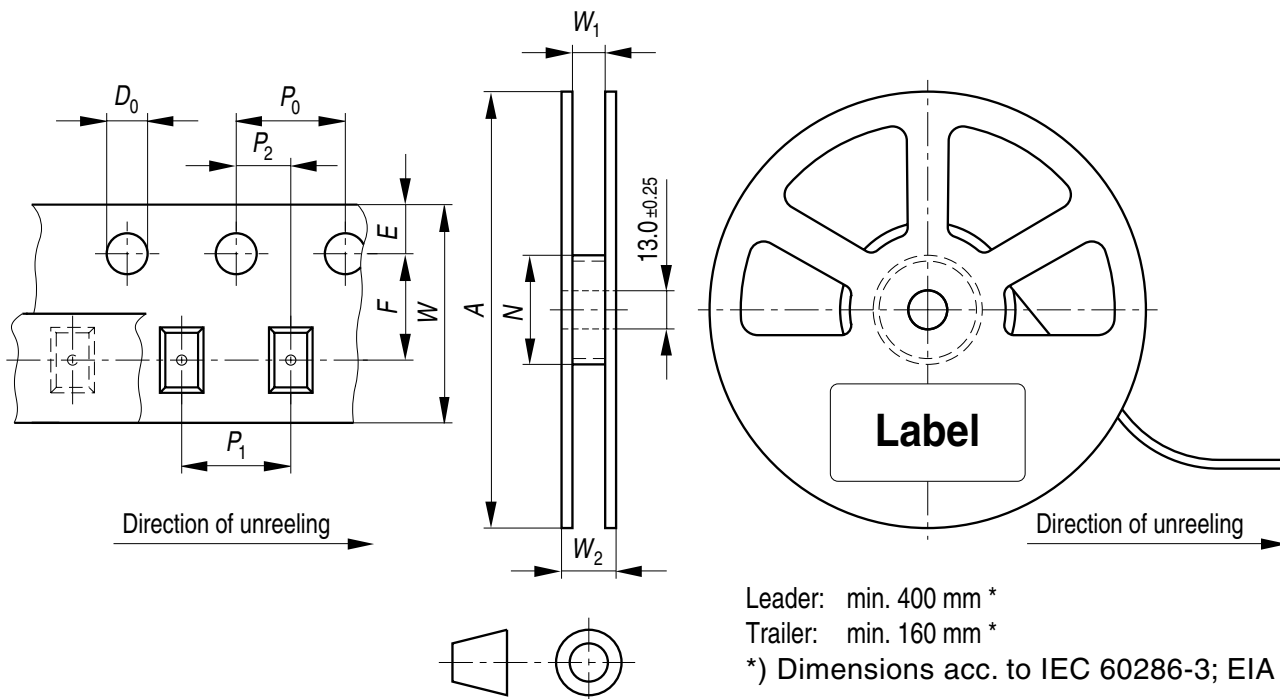


C63062-A4068-B10-08

*Dimensions in mm [inch].*

**Tape and Reel**

12 mm tape with 600 pcs. on  $\phi 180$  mm reel



Leader: min. 400 mm \*

Trailer: min. 160 mm \*

\*) Dimensions acc. to IEC 60286-3; EIA 481-D

OHAY0324

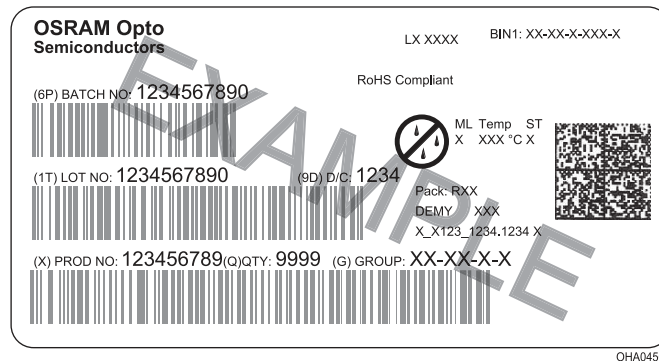
**Tape dimensions [mm]**

W	P <sub>0</sub>	P <sub>1</sub>	P <sub>2</sub>	D <sub>0</sub>	E	F
12 + 0.3 / - 0.1	4 ± 0.1	4 ± 0.1 or 8 ± 0.1	2 ± 0.05	1.5 ± 0.1	1.75 ± 0.1	5.5 ± 0.05

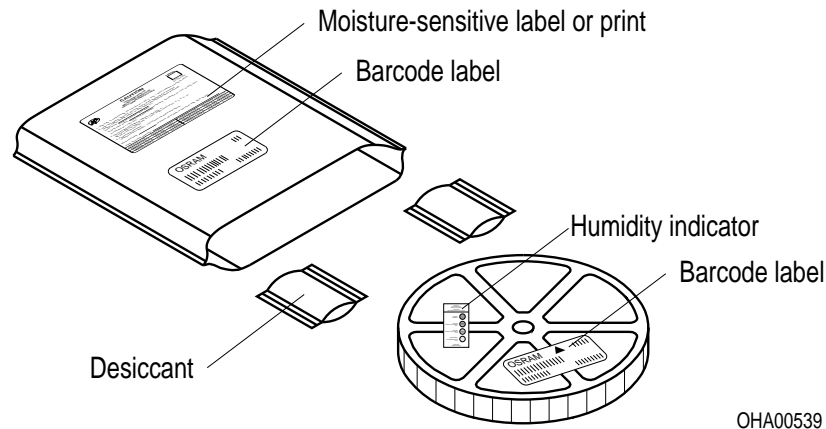
**Reel dimensions [mm]**

A	W	N <sub>min</sub>	W <sub>1</sub>	W <sub>2max</sub>
180	12	60	12.4 + 2	18.4

**Barcode-Product-Label (BPL)**



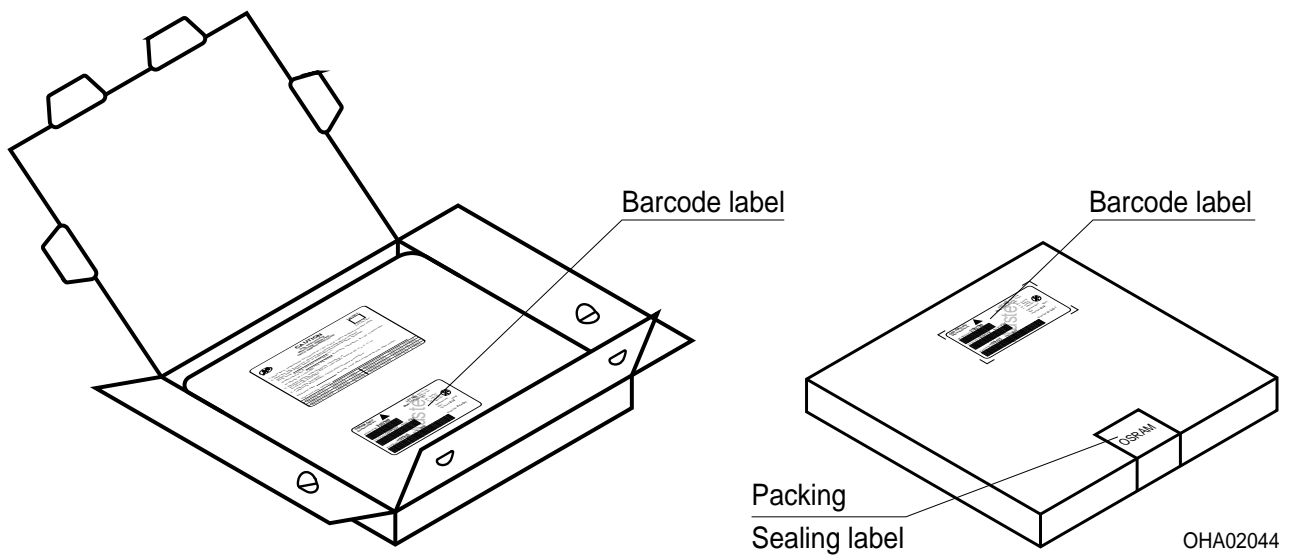
**Dry Packing Process and Materials**



**Note:**

Moisture-sensitive product is packed in a dry bag containing desiccant and a humidity card. Regarding dry pack you will find further information in the internet. Here you will also find the normative references like JEDEC.

## Transportation Packing and Materials



## Dimensions of transportation box in mm

Width	Length	Height
195 ± 5	195 ± 5	30 ± 5

**Disclaimer**

Language english will prevail in case of any discrepancies or deviations between the two language wordings.

**Attention please!**

The information describes the type of component and shall not be considered as assured characteristics.

Terms of delivery and rights to change design reserved. Due to technical requirements components may contain dangerous substances.

For information on the types in question please contact our Sales Organization.

If printed or downloaded, please find the latest version in the Internet.

**Packing**

Please use the recycling operators known to you. We can also help you – get in touch with your nearest sales office.

By agreement we will take packing material back, if it is sorted. You must bear the costs of transport. For packing material that is returned to us unsorted or which we are not obliged to accept, we shall have to invoice you for any costs incurred.

**Components used in life-support devices or systems must be expressly authorized for such purpose!**

Critical components\* may only be used in life-support devices\*\* or systems with the express written approval of OSRAM OS.

\*) A critical component is a component used in a life-support device or system whose failure can reasonably be expected to cause the failure of that life-support device or system, or to affect its safety or the effectiveness of that device or system.

\*\*) Life support devices or systems are intended (a) to be implanted in the human body, or (b) to support and/or maintain and sustain human life. If they fail, it is reasonable to assume that the health and the life of the user may be endangered.

**Glossary**

- <sup>1)</sup> **Typical Values:** Due to the special conditions of the manufacturing processes of LED, the typical data or calculated correlations of technical parameters can only reflect statistical figures. These do not necessarily correspond to the actual parameters of each single product, which could differ from the typical data and calculated correlations or the typical characteristic line. If requested, e.g. because of technical improvements, these typ. data will be changed without any further notice.

Published by OSRAM Opto Semiconductors GmbH  
Leibnizstraße 4, D-93055 Regensburg  
[www.osram-os.com](http://www.osram-os.com) © All Rights Reserved.

EU RoHS and China RoHS compliant product



此产品符合欧盟 RoHS 指令的要求；  
按照中国的相关法规和标准，不含有毒有害物质或元素。