



output coupler relay coupler, 1 change-over contact 110 V DC working range 0.7 to 1.25 x US width 6.2 mm spring-type terminal (push-in) thermal current 6 A (see derating characteristic)

<b>product brand name</b>	SIRIUS
<b>product category</b>	SIRIUS 3RQ3 coupling relays in slim design
<b>product designation</b>	Coupling relays with relay output (not plug-in)
<b>design of the product</b>	Output coupling link
<b>product type designation</b>	3RQ3
<b>General technical data</b>	
<b>display version LED</b>	Yes
<b>product component</b>	Yes
• relay output	Yes
• semi-conductor output	No
<b>consumed active power</b>	0.6 W
insulation voltage for overvoltage category III according to IEC 60664 with degree of pollution 3 rated value	300 V
<b>surge voltage resistance rated value</b>	4 kV
<b>maximum permissible voltage for safe isolation</b>	
• between control and auxiliary circuit	300 V
<b>percental drop-out voltage related to the input voltage</b>	9.6 %
<b>protection class IP</b>	IP20
<b>shock resistance</b>	
• for railway applications acc. to DIN EN 61373	Category 1, Class B
<b>vibration resistance</b>	
• for railway applications acc. to DIN EN 61373	Category 1, Class B
<b>operating frequency maximum</b>	72 000 1/h
<b>switching behavior</b>	monostable
mechanical service life (switching cycles) typical	10 000 000
<b>thermal current</b>	6 A; for derating see characteristics
<b>reference code acc. to IEC 81346-2</b>	K
<b>Control circuit/ Control</b>	
<b>control supply voltage at DC</b>	
• rated value	110 V
<b>operating range factor control supply voltage rated value at DC</b>	
• initial value	0.7
• full-scale value	1.25
<b>switch ON delay time</b>	
• at DC maximum	6 ms
<b>OFF delay time</b>	11 ms
<b>design of the relay operating mechanism</b>	poled

<b>product component plug-in socket</b>	No
<b>Short-circuit protection</b>	
design of the fuse link for short-circuit protection of the auxiliary switch required	fuse gG: 4 A
<b>Auxiliary circuit</b>	
<b>type of switching contact</b>	Changeover contact
<b>material of switching contacts</b>	AgSnO <sub>2</sub>
number of CO contacts for auxiliary contacts	1
<b>operational current of auxiliary contacts at AC-15</b>	
• at 24 V	3 A
• at 250 V	3 A
<b>operational current of auxiliary contacts at DC-13</b>	
• at 24 V	1 A
• at 125 V	0.2 A
• at 250 V	0.1 A
<b>contact reliability of auxiliary contacts</b>	one incorrect switching operation of 100 million switching operations (17 V, 5 mA)
<b>Main circuit</b>	
<b>type of voltage</b>	DC
<b>Inputs/ Outputs</b>	
<b>property of the output short-circuit proof</b>	No
<b>Outputs</b>	
ampacity of the output relay at AC-15 at 250 V at 50/60 Hz	3 A
<b>ampacity of the output relay at DC-13</b>	
• at 24 V	1 A
• at 125 V	0.2 A
• at 250 V	0.1 A
<b>Electromagnetic compatibility</b>	
EMC emitted interference acc. to IEC 60947-1	ambience A (industrial sector)
<b>EMC immunity acc. to IEC 60947-1</b>	corresponds to degree of severity 3
<b>conducted interference</b>	
• due to burst acc. to IEC 61000-4-4	2 kV
• due to conductor-earth surge acc. to IEC 61000-4-5	2 kV
• due to conductor-conductor surge acc. to IEC 61000-4-5	1 kV
<b>field-based interference acc. to IEC 61000-4-3</b>	10 V/m
<b>electrostatic discharge acc. to IEC 61000-4-2</b>	6 kV contact discharge / 8 kV air discharge
<b>Display</b>	
display version as status display by LED	LED green
<b>Connections/ Terminals</b>	
product function removable terminal	No
type of electrical connection for auxiliary and control circuit	spring-loaded terminals (push-in)
wire length	
• at DC maximum	1 000 m
<b>type of connectable conductor cross-sections</b>	
• solid	1x (0.25 ... 2.5 mm <sup>2</sup> )
• finely stranded with core end processing	1x (0.25 ... 1.5 mm <sup>2</sup> )
• finely stranded without core end processing	1x (0.25 ... 2.5 mm <sup>2</sup> )
• at AWG cables solid	1 x (20 ... 14)
• at AWG cables stranded	1x (20 ... 14)
• connectable conductor cross-section solid	0.25 ... 2.5 mm <sup>2</sup>
• connectable conductor cross-section finely stranded with core end processing	0.25 ... 1.5 mm <sup>2</sup>
• connectable conductor cross-section finely stranded without core end processing	0.25 ... 2.5 mm <sup>2</sup>
• AWG number as coded connectable conductor cross section solid	20 ... 14
• AWG number as coded connectable conductor	20 ... 14

cross section stranded

### Installation/ mounting/ dimensions

<b>mounting position</b>	any
<b>fastening method</b>	snap-on mounting
<b>height</b>	93 mm
<b>width</b>	6.2 mm
<b>depth</b>	72.5 mm
<b>required spacing</b>	
• with side-by-side mounting	
— forwards	0 mm
— backwards	0 mm
— upwards	0 mm
— downwards	0 mm
— at the side	0 mm
• for grounded parts	
— forwards	0 mm
— backwards	0 mm
— upwards	0 mm
— at the side	0 mm
— downwards	0 mm
• for live parts	
— forwards	0 mm
— backwards	0 mm
— upwards	0 mm
— downwards	0 mm
— at the side	0 mm

### Ambient conditions

installation altitude at height above sea level maximum	2 000 m
• ambient temperature during operation	-40 ... +70 °C
• ambient temperature during storage	-40 ... +85 °C
• ambient temperature during transport	-40 ... +85 °C
relative humidity during operation	10 ... 95 %

### Certificates/ approvals

#### General Product Approval

EMC



#### Declaration of Conformity

#### Test Certificates

#### Marine / Shipping

#### other



EG-Konf.

[Miscellaneous](#)

[Type Test  
Certificates/Test  
Report](#)



[Confirmation](#)

### Further information

Information- and Downloadcenter (Catalogs, Brochures,...)

<https://www.siemens.com/ic10>

Industry Mall (Online ordering system)

<https://mall.industry.siemens.com/mall/en/en/Catalog/product?mlfb=3RQ3018-2AN08-0AA0>

Cax online generator

<http://support.automation.siemens.com/WW/CAXorder/default.aspx?lang=en&mlfb=3RQ3018-2AN08-0AA0>

Service&Support (Manuals, Certificates, Characteristics, FAQs,...)

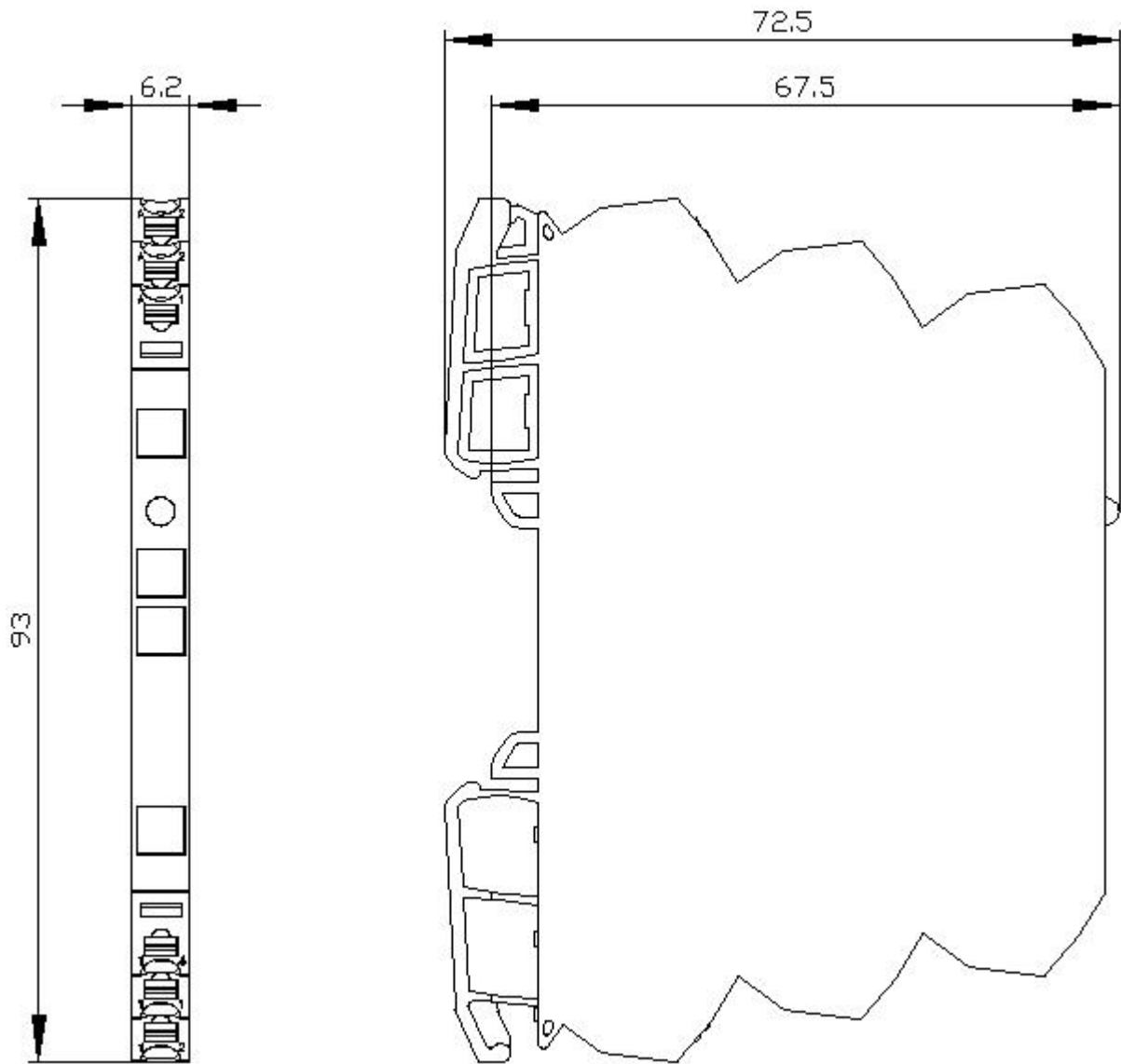
<https://support.industry.siemens.com/cs/ww/en/ps/3RQ3018-2AN08-0AA0>

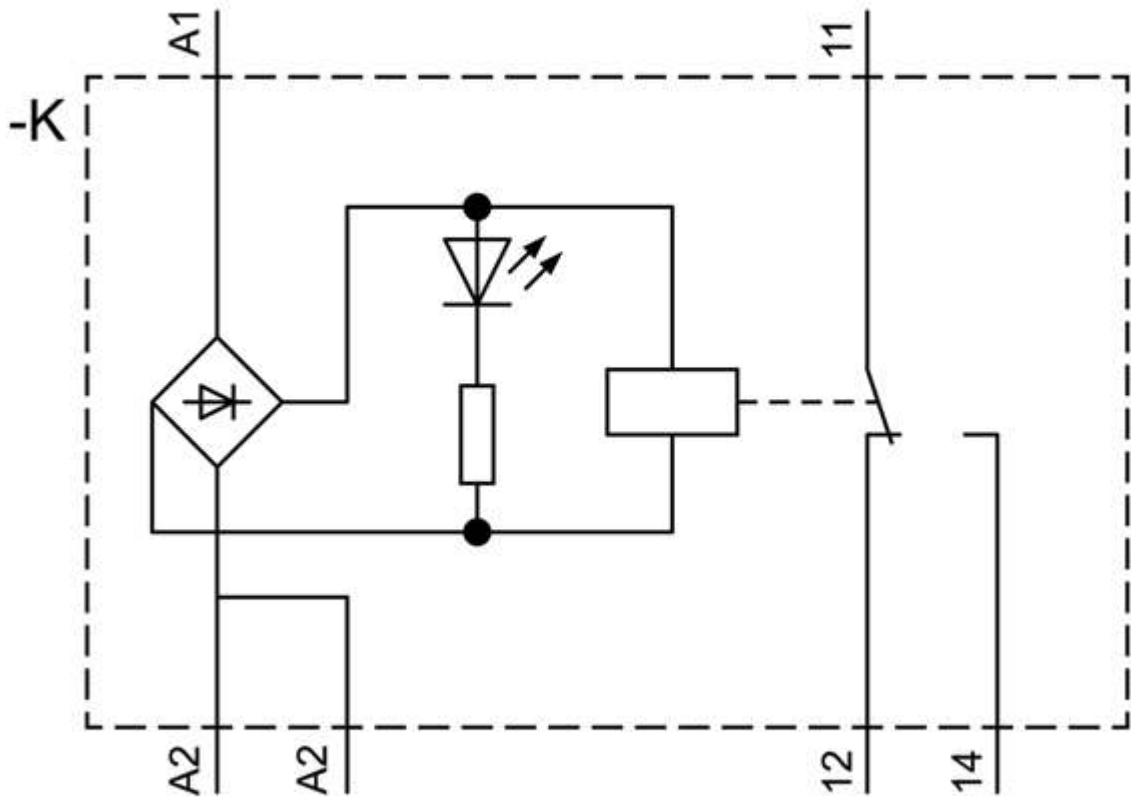
Image database (product images, 2D dimension drawings, 3D models, device circuit diagrams, EPLAN macros, ...)

[http://www.automation.siemens.com/bilddb/cax\\_de.aspx?mlfb=3RQ3018-2AN08-0AA0&lang=en](http://www.automation.siemens.com/bilddb/cax_de.aspx?mlfb=3RQ3018-2AN08-0AA0&lang=en)

Characteristic: Derating

<https://support.industry.siemens.com/cs/ww/en/ps/3RQ3018-2AN08-0AA0/manual>





last modified:

12/15/2020 