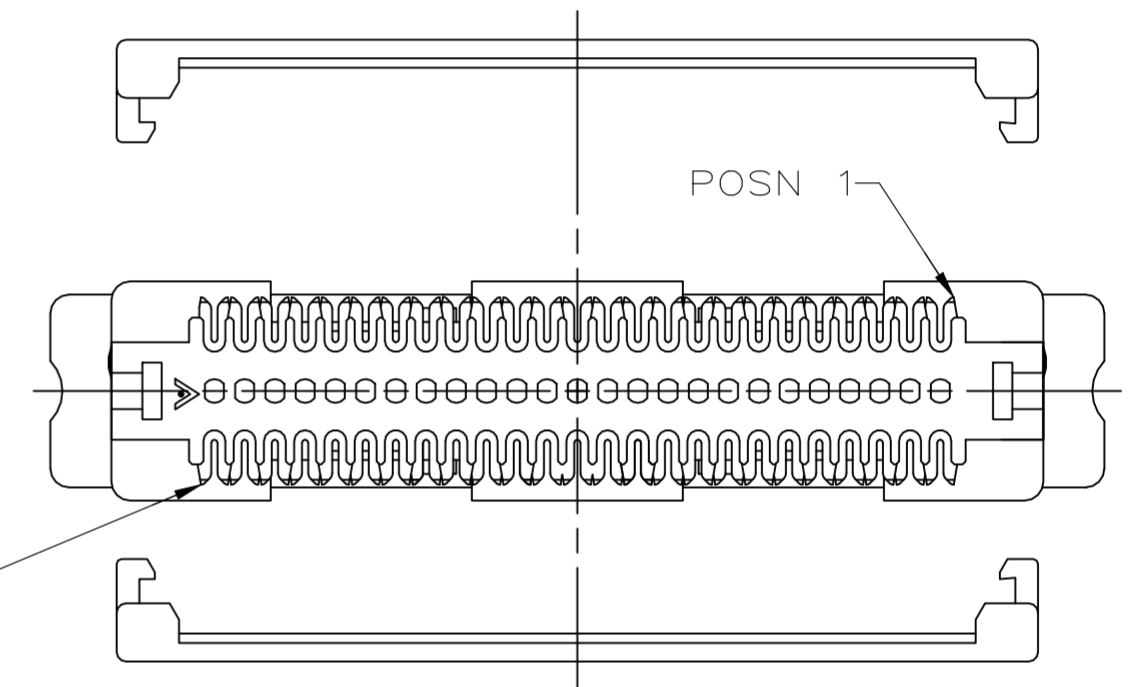
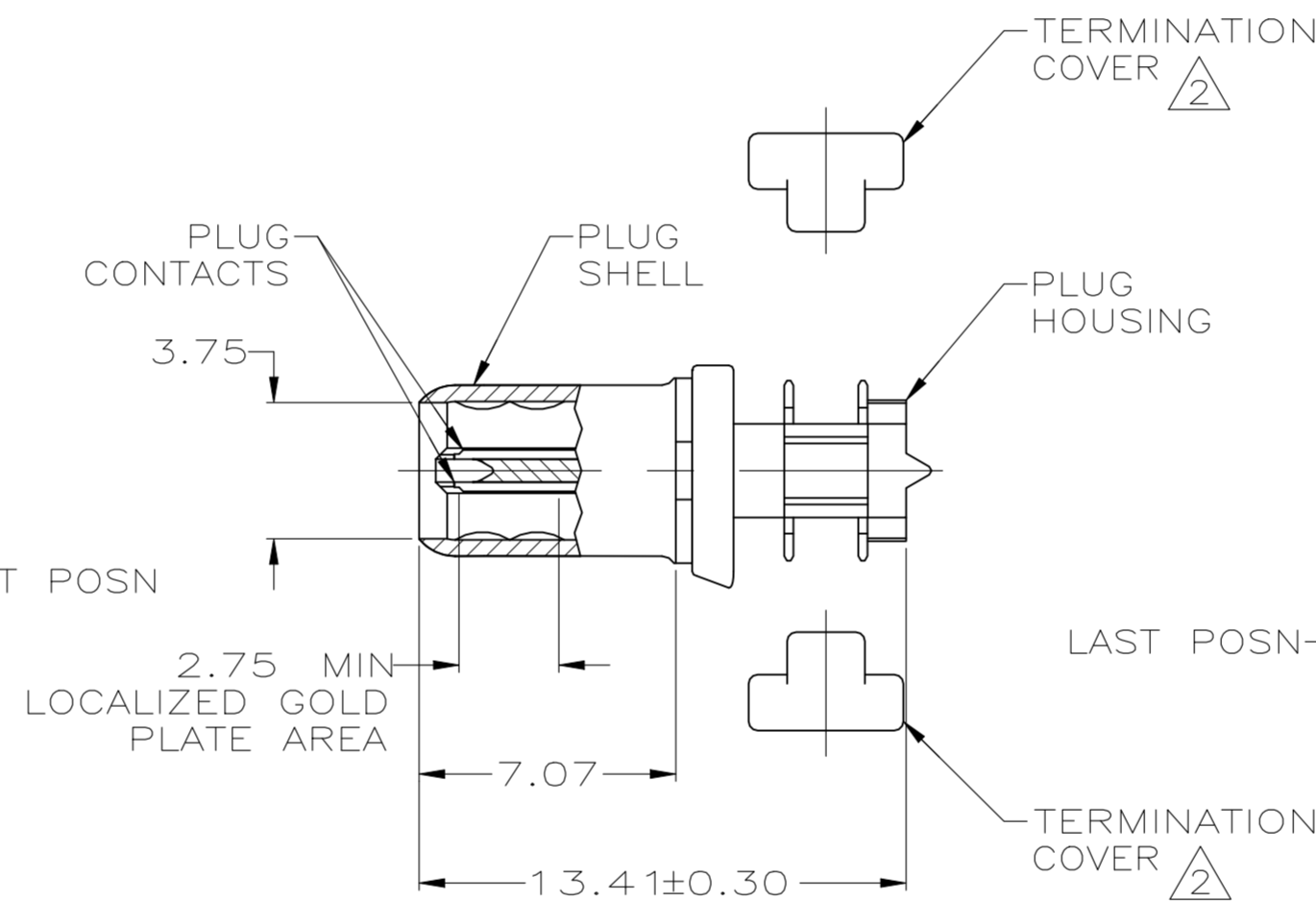
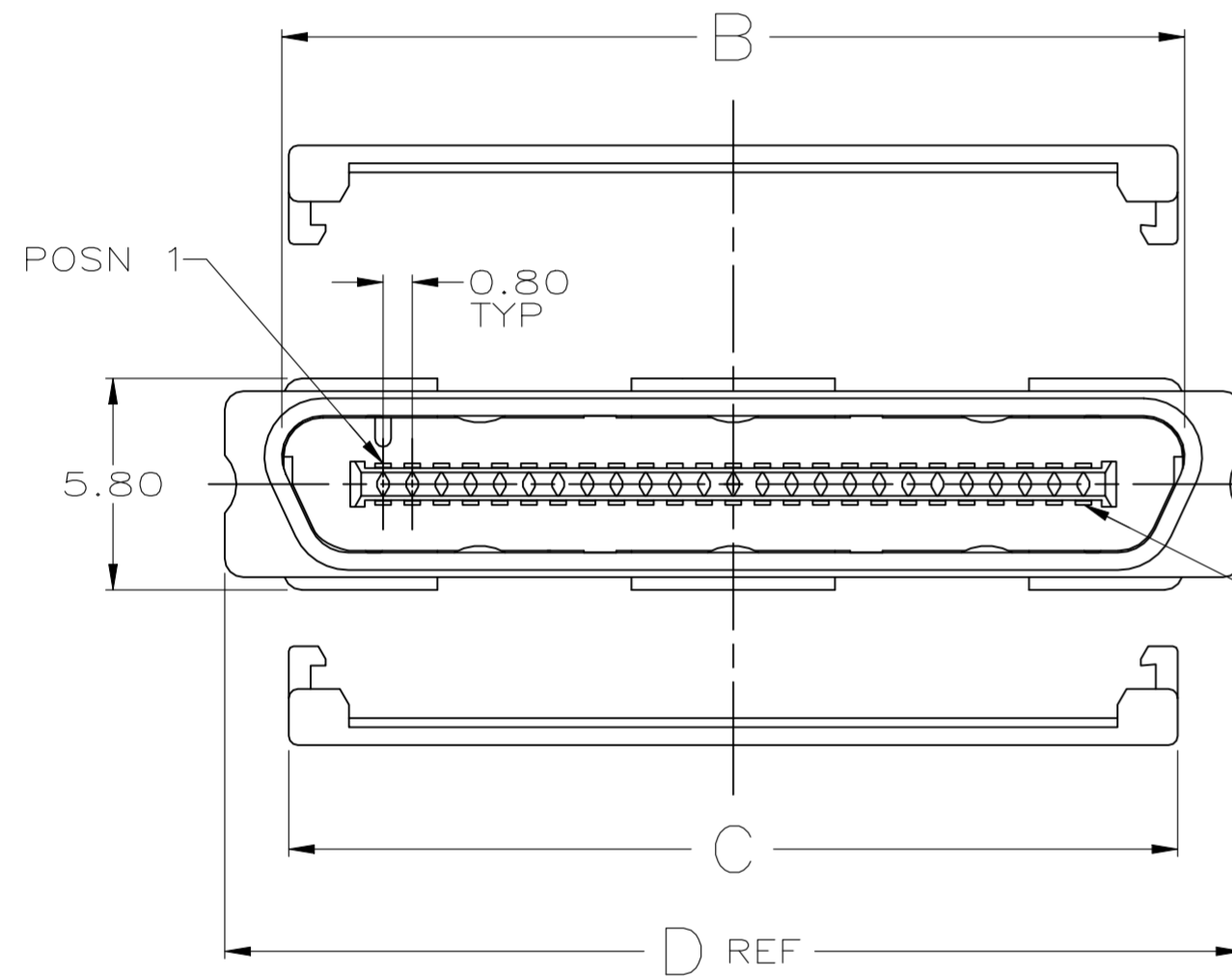
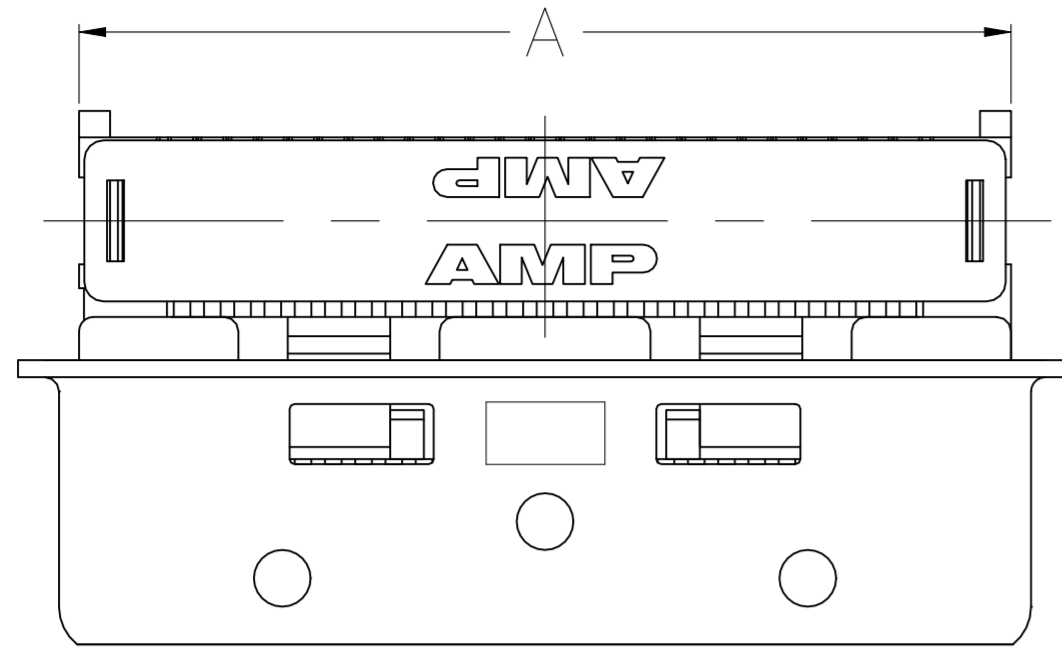


REVISIONS					
P	LTR	DESCRIPTION	DATE	DWN	APVD
P3		REVISED PER ECN-22-183604	09NOV2022	AK	SZ



- 1 MATERIAL:**
 PLUG CONTACTS - PHOSPHOR BRONZE.
 PLUG SHELL - STEEL.
 PLUG HOUSING - UL 94V-0 RATED LCP, COLOR: NATURAL.
 TERMINATION COVERS - ABS/POLYCARBONATE ALLOY MOLDING COMPOUND, COLOR: BLACK.
- 2 TERMINATION COVERS ARE PACKAGED SEPARATELY.**
- 3. RECOMMENDED WIRE: 30 AWG WITH A 0.56-0.64 INSULATION DIAMETER.**

- 4 FINISH:**
 PLUG CONTACTS - 0.076 μm MINIMUM GOLD PLATE IN LOCALIZED GOLD PLATE AREA, 1.27 μm MINIMUM BRIGHT TIN PLATE IN TERMINATION AREA, ALL OVER 1.27 μm MINIMUM NICKEL.
 PLUG SHELL - 5.08 μm MINIMUM NICKEL OVER 1.27 μm MINIMUM COPPER.

OBSOLETE	35.08	31.57	31.95	31.85	68	5787131-3
	22.28	18.77	19.15	19.05	36	5787131-2
	27.88	24.37	24.75	24.65	50	5787131-1
	D	C	B	A	POSN	PART NUMBER

THIS DRAWING IS A CONTROLLED DOCUMENT.		DWN J. ALCORTA - DOCK5 07-28-05	TE Connectivity	
DIMENSIONS: mm		CHK S. SHUEY 07-28-05	NAME M. WALMSLEY 07-28-05	
TOLERANCES UNLESS OTHERWISE SPECIFIED: 0 PLC ± - 1 PLC ± - 2 PLC ± 0.13 3 PLC ± - 4 PLC ± - ANGLES ± 3°		PRODUCT SPEC 108-1471		PLUG KIT, CABLE CONNECTOR, CHAMP 0.8mm
MATERIAL 1		FINISH 4		SIZE A2
		WEIGHT 0.000000		CAGE CODE 00779
		CUSTOMER DRAWING		DRAWING NO C=5787131
		SCALE 5:1		SHEET 1 of 1
		REV P3		RESTRICTED TO -

5787131