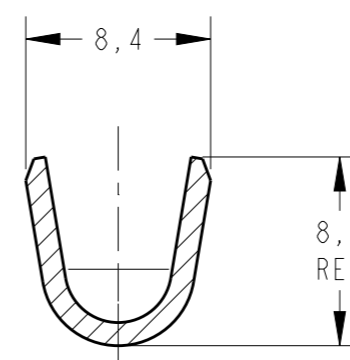
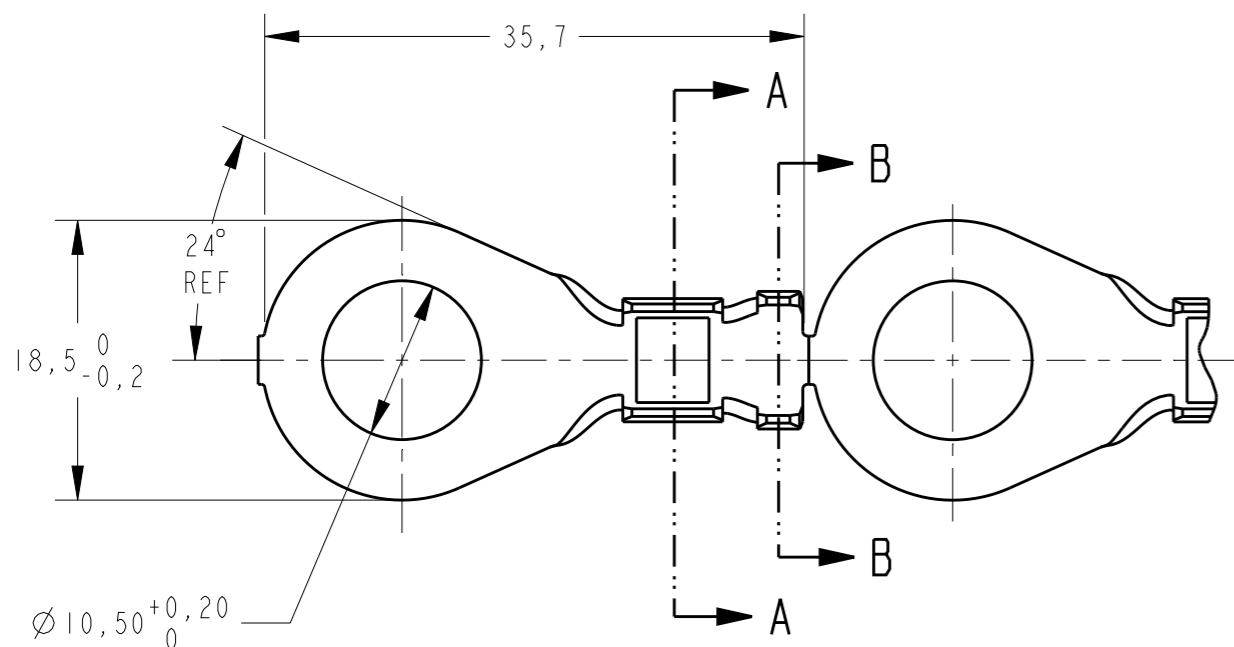


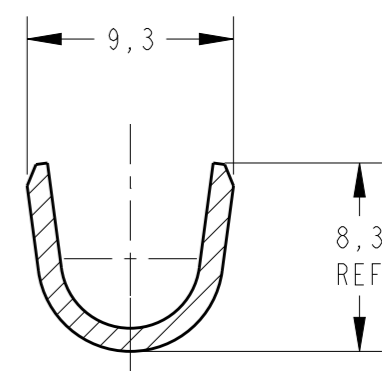
creo
Creo Parametric 2.0
DO NOT REVERSE
EXCEPT BY CAD

REVISIONS

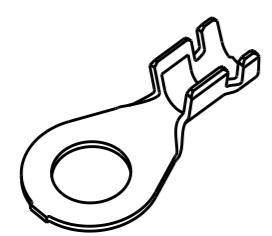
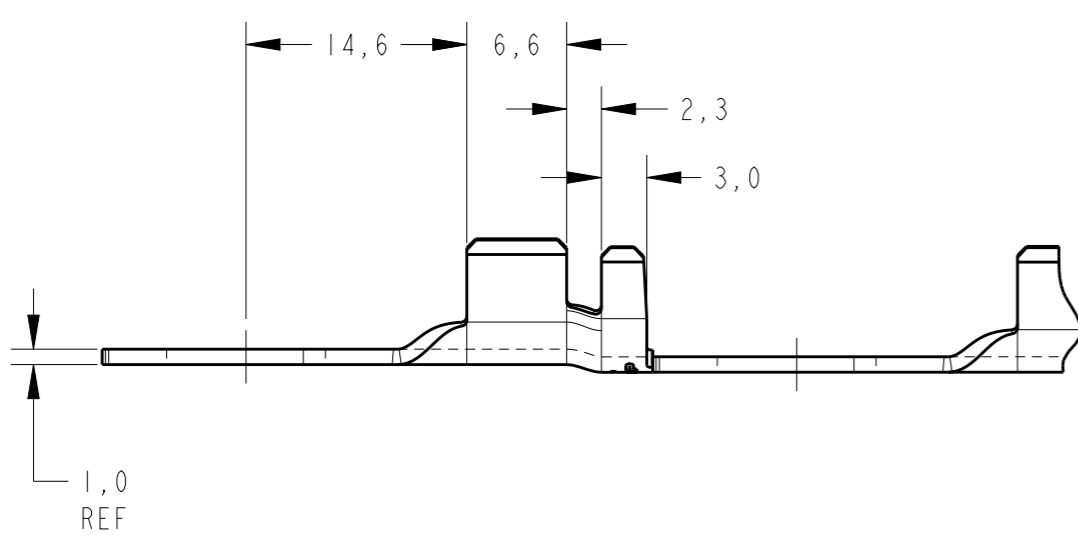
P	LTR	DESCRIPTION	DATE	DWN	APVD
	C	REDRAW BY CAD ECO-14-013530	08SEP2014	NCL	LWP



SECTION A-A
SCALE 3:1




SECTION B-B
SCALE 3:1



PERSPECTIVE VIEW
SCALE 1:1

SL D101-26	ESTANHADO / TIN	LATÃO / BRASS	881003-2
		LATÃO / BRASS	881003-1
FORD PN	FINISH	MATERIAL	PART NUMBER

THIS DRAWING IS A CONTROLLED DOCUMENT.		DWN NCLAPRESA 11DEC2012	 TE Connectivity NAME - RING TONGUE -	
DIMENSIONS: mm		CHK JRGOLDSCHMIDT 11DEC2012		
TOLERANCES UNLESS OTHERWISE SPECIFIED:		APVD DAOLIVEIRA 11DEC2012		
0 PLC ±- 1 PLC ±0,3 2 PLC ±- 3 PLC ±- 4 PLC ±- ANGLES ±1°		PRODUCT SPEC -		
MATERIAL SEE TABLE		FINISH SEE TABLE	APPLICATION SPEC -	SIZE A3
WIRE RANGE 6,0-10,0mm ²		INSUL. RANGE Ø4,6-6,6mm	WEIGHT -	CAGE CODE 00779
			RESTRICTED TO -	DRAWING NO C-881003
			Customer Drawing	SCALE 2:1
				SHEET 1 OF 1
				REV C