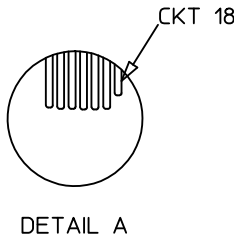
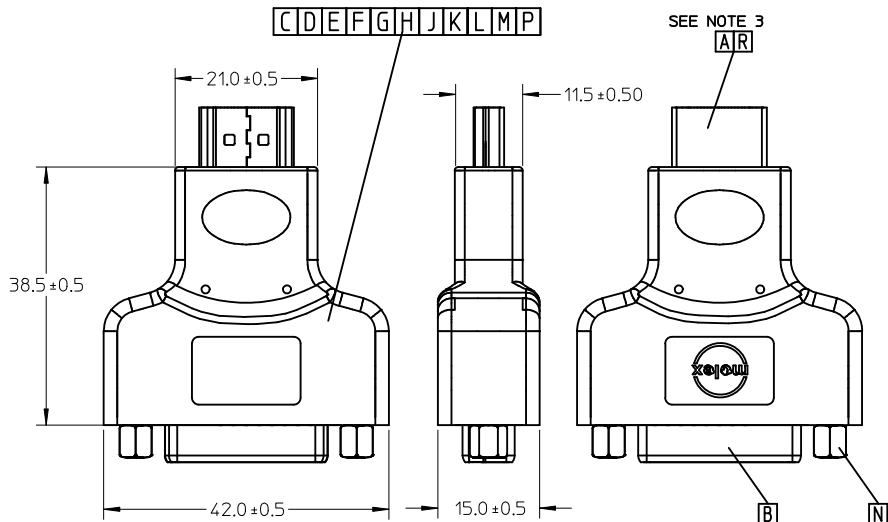


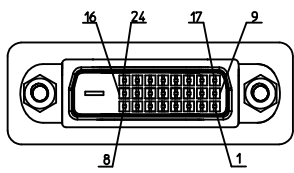
- NOTE:
1. OVERMOLD OUTER MOLD WITH WHITE PVC
  2. OVERMOLD INNER MOLD WITH PVC
  3. HDMI DUST COVER WITH PE
  4. THIS PRODUCT MUST MEET EU CHEMICAL SUBSTANCE SPECIFICATION FOR PRODUCTS.(EU 2002/95/EC)
  5. ELECTRICAL PERFORMANCE REFER TO HDMI SPECIFICATION.

**HDMI(M) TO DVI-D(F) DIAGRAM:**

SHIELD	SHIELD	SHIELD	GROUND
PIN 19	PIN 16	WHITE	HOT PLUG DETECT
PIN 18	PIN 14	YELLOW	POWER +5V
PIN 17	PIN 15	ORANGE	GROUND (+5V&DDC)
PIN 16	PIN 7	RED	DDC DATA (SDA)
PIN 15	PIN 6	VIOLET	DDC CLOCK (SCL)
PIN 12	PIN 24	WHITE	TMDS CLOCK -
PIN 10	PIN 23	BROWN	TMDS CLOCK +
PIN 11	PIN 22	BRAID	TMDS CLOCK SHIELD
PIN 9	PIN 17	WHITE	TMDS DATA 0-
PIN 7	PIN 18	BLUE	TMDS DATA 0+
PIN 8	PIN 19	BRAID	TMDS DATA 0 SHIELD
PIN 6	PIN 9	WHITE	TMDS DATA 1-
PIN 4	PIN 10	BLACK	TMDS DATA 1+
PIN 5	PIN 11	BRAID	TMDS DATA 1 SHIELD
PIN 3	PIN 1	WHITE	TMDS DATA 2+
PIN 1	PIN 2	RED	TMDS DATA 2+
PIN 2	PIN 3	BRAID	TMDS DATA 2 SHIELD
HDMI	DVI-D	WIRE COLOR	FUNCTION



ITEM	DESCRIPTION	USAGE
R	SMALL METAL PLATE	1
P	HDMI METAL CAN GOLD FLASH	1
N	4-40 UNC NUT	2
M	UL&CSA 1061#28 VIOLET	1
L	UL&CSA 1061#28 RED	1
K	UL&CSA 1061#28 YELLOW	1
J	UL&CSA 1061#28 ORANGE	1
H	UL&CSA 1061#28 WHITE	1
G	TMDS #28 RED	1
F	TMDS #28 BLACK	1
E	TMDS #28 BLUE	1
D	1PX28AWG.SHLDPVC.BROW.2.95MM	1
C	TOP & BOTTOM METAL CAN	1
B	DVI-D FEMALE	1
A	HDMI BLACK HOUSING ASSY'	1

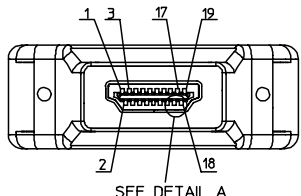


<b>ENTER DESCRIPTION</b> EC NO: DG2011-0444 DRWN:FZHANG01 2011/05/06 CHYD:JFZHENG 2011/05/06 APPR:ZXDENG 2011/05/11	<b>QUALITY SYMBOLS</b> ▽=0 ▽=0	<b>GENERAL TOLERANCES (UNLESS SPECIFIED)</b>		<b>DIMENSION STYLE</b> MM ONLY		SCALE ---	DESIGN UNITS METRIC	THIRD ANGLE PROJECTION	
		4 PLACES ± --- ± --- 3 PLACES ± --- ± --- 2 PLACES ± --- ± --- 1 PLACE ± --- ± ---	mm INCH	DRAWN BY FZHANG01	DATE 2011/05/06	TITLE HDMI(M) TO DVI-D(F) ADAPTOR GOLD FLASH			
		ANGULAR ± --- °		CHECKED BY JFZHENG	DATE 2011/05/06	MOLEX INCORPORATED			
		DRAFT WHERE APPLICABLE MUST REMAIN WITHIN DIMENSIONS		APPROVED BY ZXDENG	DATE 2011/05/11	MATERIAL NO. 687670027	DOCUMENT NO. SD-68767-0027	SHEET NO. 1 OF 1	

7 6 5 4 3 2 1



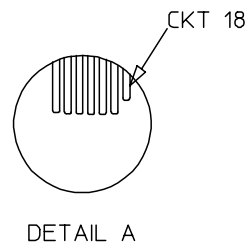
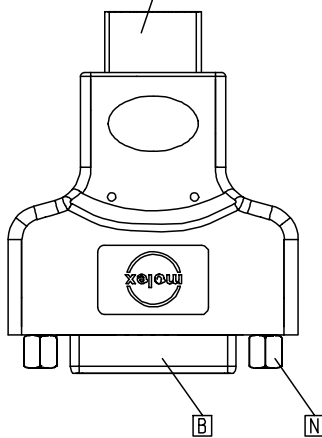
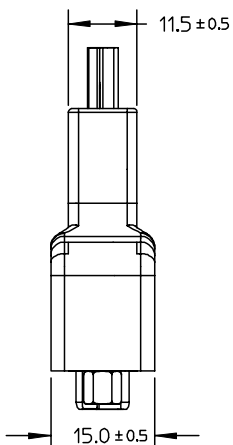
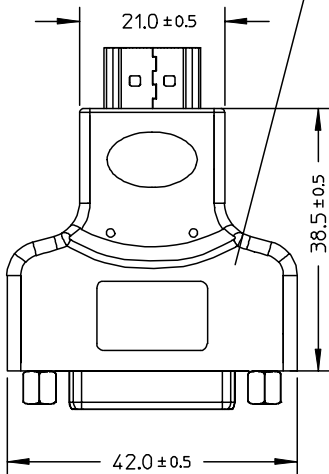
- NOTE:
1. OVERMOLD OUTER MOLD WITH WHITE PVC 887800076.
  2. OVERMOLD INNER MOLD WITH PVC 887800019.
  3. HDMI DUST COVER WITH PE 887800008.
  4. THIS PRODUCT MUST MEET ROHS COMPLIANCE.



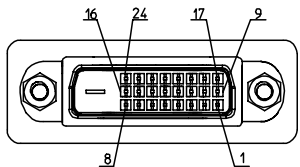
SHIELD	SHIELD	SHIELD	GROUND
PIN 19	PIN 16	WHITE	HOT PLUG DETECT
PIN 18	PIN 14	YELLOW	POWER +5V
PIN 17	PIN 15	ORANGE	GROUND (+5V&DDC)
PIN 16	PIN 7	RED	DDC DATA (SDA)
PIN 15	PIN 6	VIOLET	DDC CLOCK (SCL)
PIN 12	PIN 24	WHITE	TMDS CLOCK -
PIN 10	PIN 23	BROWN	TMDS CLOCK +
PIN 11	PIN 22	BRAID	TMDS CLOCK SHIELD
PIN 9	PIN 17	WHITE	TMDS DATA 0-
PIN 7	PIN 18	BLUE	TMDS DATA 0+
PIN 8	PIN 19	BRAID	TMDS DATA 0 SHIELD
PIN 6	PIN 9	WHITE	TMDS DATA 1-
PIN 4	PIN 10	BLACK	TMDS DATA 1+
PIN 5	PIN 11	BRAID	TMDS DATA 1 SHIELD
PIN 3	PIN 1	WHITE	TMDS DATA 2+
PIN 1	PIN 2	RED	TMDS DATA 2+
PIN 2	PIN 3	BRAID	TMDS DATA 2 SHIELD
HDMI	DVI-D	WIRE COLOR	FUNCTION

C D E F G H J K L M P

SEE NOTE 3  
A R



R	471526009	SMALL METAL PLATE	1
P	471524002	HDMI METAL CAN GOLD FLASH	1
N	172000539	4-40 UNC NUT	2
M	887719807	UL&CSA 1061/#28 VIOLET	1
L	887719801	UL&CSA 1061/#28 RED	1
K	887719803	UL&CSA 1061/#28 YELLOW	1
J	887719802	UL&CSA 1061/#28 ORANGE	1
H	887719809	UL&CSA 1061/#28 WHITE	1
G	887808260	TMDS #28 RED	1
F	887808256	TMDS #28 BLACK	1
E	887808259	TMDS #28 BLUE	1
D	887808258	TMDS #28 BROWN	1
C	172000560	TOP & BOTTOM METAL CAN	1
B	172000446	DVI-D FEMALE	1
A	471521000	HDMI BLACK HOUSING ASSY	1
ITEM	MX P/N	DESCRIPTION	USAGE



Released EC NO: DG2007-0027 DRWN: JFZHENG 2006/09/02 CHKD: JFZHENG 2006/09/04 APPR: DQ LUO 2006/09/04	DESCRIPTION 1	QUALITY SYMBOLS ▽⇒ ▽⇒	GENERAL TOLERANCES (UNLESS SPECIFIED)		DIMENSION STYLE MM ONLY		SCALE ---	DESIGN UNITS METRIC	THIRD ANGLE PROJECTION
			mm	INCH	DRAWN BY	DATE			
DRAFT WHERE APPLICABLE MUST REMAIN WITHIN DIMENSIONS			4 PLACES	± ---	± ---	JFZHENG	2006/08/26	HDMI(M) TO DVI-D(F) ADAPTOR COLD	
			3 PLACES	± ---	± ---	CHECKED BY	DATE	MOLEX MOLEX INCORPORATED	
			2 PLACES	± ---	± ---	JF ZHENG	2006/08/26	MATERIAL NO. 687670027 DOCUMENT NO. SD-68767-027	
			1 PLACE	± ---	± ---	APPROVED BY	DATE	SHEET NO. 1 OF 1	
			ANGULAR ± ---°		DQ LUO		2006/08/26	THIS DRAWING CONTAINS INFORMATION THAT IS PROPRIETARY TO MOLEX INCORPORATED AND SHOULD NOT BE USED WITHOUT WRITTEN PERMISSION	