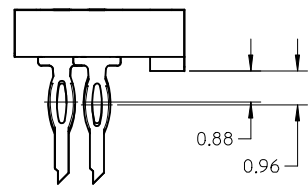
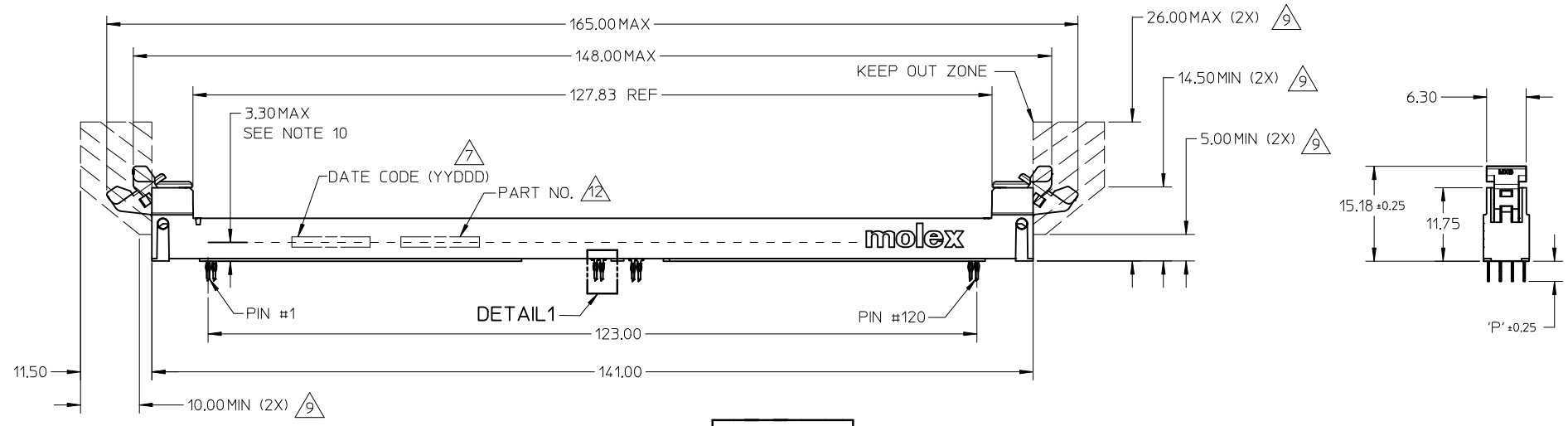
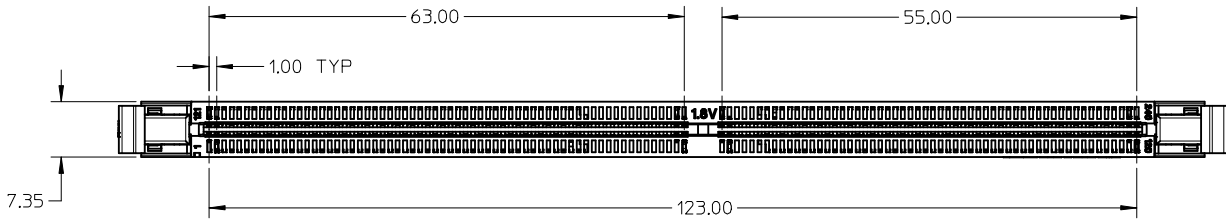


10 9 8 7 6 5 4 3 2 1



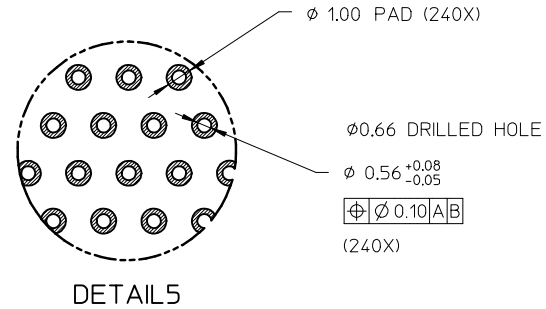
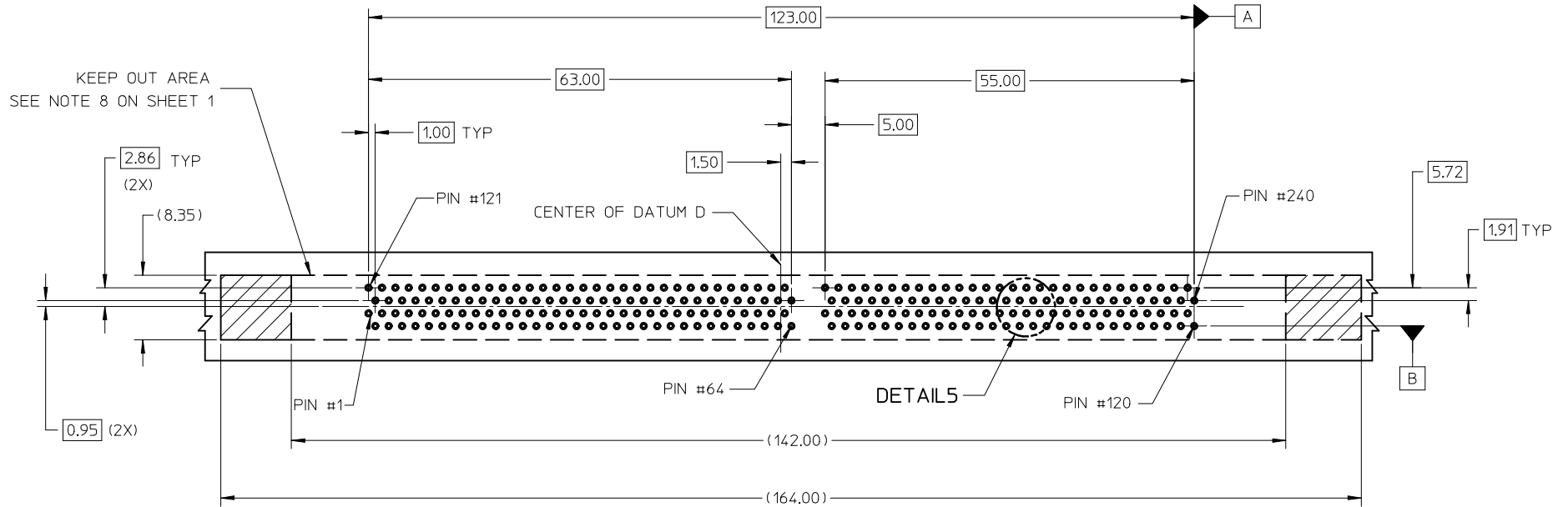
- NOTES:
- MATERIALS
HOUSING - HIGH TEMP NYLON GLASS FILLED, UL 94V-0,COLOR - BLACK
EJECTOR - HIGH TEMP NYLON 46, COLOR: BLACK
TERMINAL - PHOSPHOR BRONZE
 - PLATING - SEE TABLE IN SHEET 4.
 - CARD SLOT ACCEPTS 1.27±0.10MM MODULE THICKNESS.
 - RECOMMENDED MODULE LAYOUT SHALL BE AS PER JEDEC MO-237.
 - REFER TO PRODUCT SPEC. PS-78065-100 FOR PERFORMANCE SPECIFICATIONS.
 - PRODUCT SHALL BE PACKED IN TRAY.
 - PRODUCT SHALL HAVE DATE CODE STAMPED ON SIDE OF HOUSING.
 - KEEP OUT AREA IS THE AREA WHERE THE CONNECTOR IS MOUNTED ONTO THE PCB WHICH DOES NOT INCLUDE THE LATCH.
 - KEEP OUT ZONE AS PER JEDEC SO-001.
 - DIMM MODULE SEATING PLANE FROM TOP OF PCB.
 - CONTACT MOLEX FOR AVAILABILITY OF PRODUCT OPTIONS.
 - PART NUMBER SHALL BE MARKED LEGIBLY AS 78065-****.

OBS TIN/LEAD P/N EC NO: S2014-0373 DRWN:SKANG 2013/10/14 CHKD:MLONG 2014/01/27 APPR:MLONG 2014/02/06	QUALITY SYMBOLS F _A =0 F _C =0 F _P =0	GENERAL TOLERANCES (UNLESS SPECIFIED)		DIMENSION STYLE MM ONLY		SCALE NTS	DESIGN UNITS METRIC	THIRD ANGLE PROJECTION	
			mm	INCH	DRAWN BY VMANICKAM	DATE 2006/04/11	TITLE VLP DDR2 DIMM, 1MM PITCH 240 CKTS, VERT. PRESSFIT		
		4 PLACES	± ---	± ---	CHECKED BY SHLENI	DATE 2006/06/22	molex		
		3 PLACES	± ---	± ---	APPROVED BY SRRAMESH	DATE 2006/06/22			
	2 PLACES	± 0.20	± ---	MATERIAL NO.		DOCUMENT NO.	SHEET NO.		
	1 PLACE	± ---	± ---	SEE TABLE		SD-78065-001	1 OF 4		
	0 PLACE	±	±	DRAFT WHERE APPLICABLE MUST REMAIN WITHIN DIMENSIONS		THIS DRAWING CONTAINS INFORMATION THAT IS PROPRIETARY TO MOLEX INCORPORATED AND SHOULD NOT BE USED WITHOUT WRITTEN PERMISSION			

9 8 7 6 5 4 3 2 1

10 9 8 7 6 5 4 3 2 1

(SEE RECOMMENDED THICKNESS IN TABLE)
RECOMMEND PCB LAYOUT
CONNECTOR SIDE



OBS TIN/LEAD P/N EC NO: S2014-0373 DRWN:SKANG 2013/10/14 CHKD:MLONG 2014/01/27 APPR:MLONG 2014/02/06	QUALITY SYMBOLS $\nabla_A = 0$ $\nabla_B = 0$ $\nabla_C = 0$	GENERAL TOLERANCES (UNLESS SPECIFIED)		DIMENSION STYLE MM ONLY		SCALE NTS	DESIGN UNITS METRIC	THIRD ANGLE PROJECTION		
			mm	INCH	DRAWN BY VMANICKAM	DATE 2006/04/11	TITLE VLP DDR2 DIMM, 1MM PITCH 240 CKTS, VERT. PRESSFIT			
		4 PLACES	\pm ---	\pm ---	CHECKED BY SHLENI	DATE 2006/06/22	molex			
		3 PLACES	\pm ---	\pm ---	APPROVED BY SRRAMESH	DATE 2006/06/22				
	2 PLACES	± 0.20	\pm ---	MATERIAL NO.		DOCUMENT NO. SD-78065-001	SHEET NO. 3 OF 4			
	1 PLACE	\pm ---	\pm ---	SEE TABLE		THIS DRAWING CONTAINS INFORMATION THAT IS PROPRIETARY TO MOLEX INCORPORATED AND SHOULD NOT BE USED WITHOUT WRITTEN PERMISSION				
	0 PLACE	\pm	\pm	DRAFT WHERE APPLICABLE MUST REMAIN WITHIN DIMENSIONS						

9 8 7 6 5 4 3 2 1

PART NO.	VOLTAGE KEY POS.	VOLTAGE	DIM 'P'	RECOMMENDED PCB THICKNESS	CONTACT AREA PLATING OPTION	SOLDERTAIL PLATING OPTION	LATCH COLOR
78065-8001	CENTER	1.8V	3.30	3.60	0.76MM/30MN MIN GOLD OVER 1.27MM/50MN MIN NICKEL UNDERPLATE	0.38-1.52MM/15-60MN TIN OVER 1.27MM/50MN MIN NICKEL UNDERPLATE	BLACK
78065-8002			4.20	4.57			

OBS TIN/LEAD P/N EC NO: S2014-0373 DRWN:SKANG 2013/10/14 CHKD:MLONG 2014/01/27 APPR:MLONG 2014/02/06	DESCRIPTION REV B	QUALITY SYMBOLS	GENERAL TOLERANCES (UNLESS SPECIFIED)	DIMENSION STYLE MM ONLY	SCALE NTS	DESIGN UNITS METRIC	THIRD ANGLE PROJECTION																														
		$\nabla_A = 0$ $\nabla_C = 0$ $\nabla_F = 0$	<table border="1"> <tr> <th></th> <th>mm</th> <th>INCH</th> </tr> <tr> <td>4 PLACES</td> <td>± ---</td> <td>± ---</td> </tr> <tr> <td>3 PLACES</td> <td>± ---</td> <td>± ---</td> </tr> <tr> <td>2 PLACES</td> <td>± 0.20</td> <td>± ---</td> </tr> <tr> <td>1 PLACE</td> <td>± ---</td> <td>± ---</td> </tr> <tr> <td>0 PLACE</td> <td>±</td> <td>±</td> </tr> </table>		mm	INCH	4 PLACES	± ---	± ---	3 PLACES	± ---	± ---	2 PLACES	± 0.20	± ---	1 PLACE	± ---	± ---	0 PLACE	±	±	<table border="1"> <tr> <th>DRAWN BY</th> <th>DATE</th> </tr> <tr> <td>VMANICKAM</td> <td>2006/04/11</td> </tr> <tr> <th>CHECKED BY</th> <th>DATE</th> </tr> <tr> <td>SHLENI</td> <td>2006/06/22</td> </tr> <tr> <th>APPROVED BY</th> <th>DATE</th> </tr> <tr> <td>SRRAMESH</td> <td>2006/06/22</td> </tr> </table>	DRAWN BY	DATE	VMANICKAM	2006/04/11	CHECKED BY	DATE	SHLENI	2006/06/22	APPROVED BY	DATE	SRRAMESH	2006/06/22	TITLE	VLP DDR2 DIMM, 1MM PITCH 240 CKTS, VERT. PRESSFIT	
			mm	INCH																																	
		4 PLACES	± ---	± ---																																	
3 PLACES	± ---	± ---																																			
2 PLACES	± 0.20	± ---																																			
1 PLACE	± ---	± ---																																			
0 PLACE	±	±																																			
DRAWN BY	DATE																																				
VMANICKAM	2006/04/11																																				
CHECKED BY	DATE																																				
SHLENI	2006/06/22																																				
APPROVED BY	DATE																																				
SRRAMESH	2006/06/22																																				
ANGULAR ± 5 ° DRAFT WHERE APPLICABLE MUST REMAIN WITHIN DIMENSIONS			MATERIAL NO.	DOCUMENT NO.	molex SD-78065-001		SHEET NO. 4 OF 4																														
			SIZE A3	THIS DRAWING CONTAINS INFORMATION THAT IS PROPRIETARY TO MOLEX INCORPORATED AND SHOULD NOT BE USED WITHOUT WRITTEN PERMISSION																																	