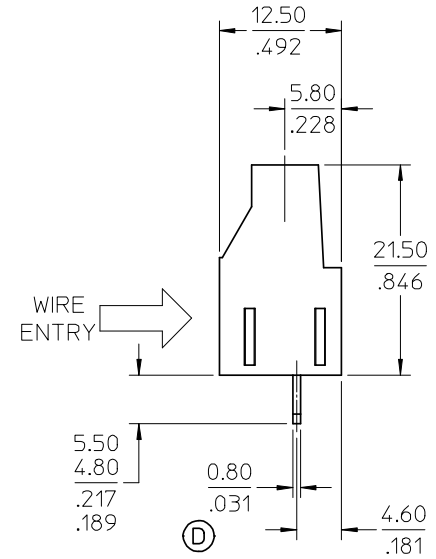
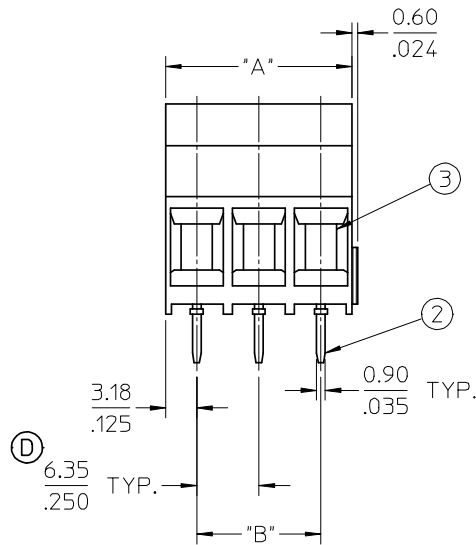
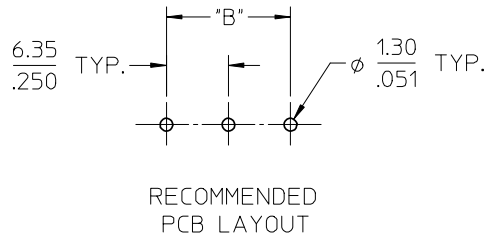
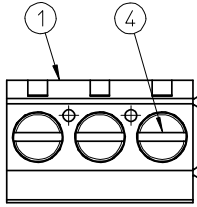
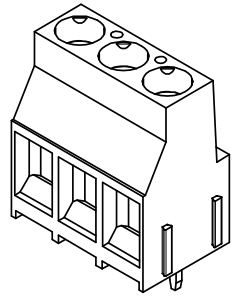


NUMBER OF CIRCUITS "XX"	DIM. "A"	DIM. "B"	MATERIAL NO.
02	12.70/500	6.35/.250	393800102
03	19.05/750	12.70/500	393800103
04	25.40/1000	19.05/750	393800104
05	31.75/1250	25.40/1000	393800105
06	38.10/1500	31.75/1250	393800106
07	44.45/1750	38.10/1500	393800107
08	50.80/2000	44.45/1750	393800108
09	57.15/2250	50.80/2000	393800109
10	63.50/2500	57.15/2250	393800110
11	69.85/2750	63.50/2500	393800111
12	76.20/3000	69.85/2750	393800112
13	82.55/3250	76.20/3000	393800113
14	88.90/3500	82.55/3250	393800114
15	95.25/3750	88.90/3500	393800115
16	101.60/4000	95.25/3750	393800116
17	107.95/4250	101.60/4000	393800117
18	114.30/4500	107.95/4250	393800118
19	120.65/4750	114.30/4500	393800119
20	127.00/5000	120.65/4750	393800120
21	133.35/5250	127.00/5000	393800121
22	139.70/5500	133.35/5250	393800122
23	146.05/5750	139.70/5500	393800123
24	152.40/6000	146.05/5750	393800124



NOTES:

1. MATERIAL: SEE TABLE
2. FINISHES: SEE TABLE
3. "XX" REFERS TO QTY. OF CIRCUITS.
4. 3 CIRCUIT SHOWN.
5. 2 & 3 CIRCUIT PARTS ARE ASSEMBLED TOGETHER TO MAKE CIRCUIT SIZES GREATER THAN 3.
6. ASSEMBLY IS ROHS COMPLIANT.

ITEM	QTY.	DESCRIPTION	MATERIAL	FINISH
4	XX	SCREW, M3.5	COPPER ALLOY	NICKEL
3	XX	CAGE CLAMP	COPPER ALLOY	NICKEL
2	XX	TERMINAL	COPPER ALLOY	TIN
1	1	INSULATOR	PA 66, UL 94V-0	BLACK

ADD MAT #S/ROHS NOTE EC NO: ETC2008-0034 DRW: NCLYORK 2007/08/22 CHKD: JMACNEIL 2007/09/12 APPR: JMACNEIL 2007/09/13	QUALITY SYMBOLS ▽=0 ▽=0	GENERAL TOLERANCES (UNLESS SPECIFIED)		DIMENSION STYLE MM/IN		SCALE 2:1	DESIGN UNITS INCH	THIRD ANGLE PROJECTION			
		4 PLACES ± --- ± --- 3 PLACES ± --- ± .005 2 PLACES ± 0.13 ± .01 1 PLACE ± 0.3 ± ---	mm INCH	DRAWN BY C. YORK	DATE 2007/08/16	TITLE 6.35/.250 SR FIXED EURO TERMINAL BLOCK ASSY					
		ANGULAR ± 2 °		CHECKED BY J. MACNEIL	DATE 2007/08/16	APPROVED BY J. MACNEIL 2007/08/16					
		DRAFT WHERE APPLICABLE MUST REMAIN WITHIN DIMENSIONS		SEE CHART		MATERIAL NO. DOCUMENT NO.				SHEET NO.	
				Molex MOLEX INCORPORATED				SD-39380-001		1 OF 1	
THIS DRAWING CONTAINS INFORMATION THAT IS PROPRIETARY TO MOLEX INCORPORATED AND SHOULD NOT BE USED WITHOUT WRITTEN PERMISSION											