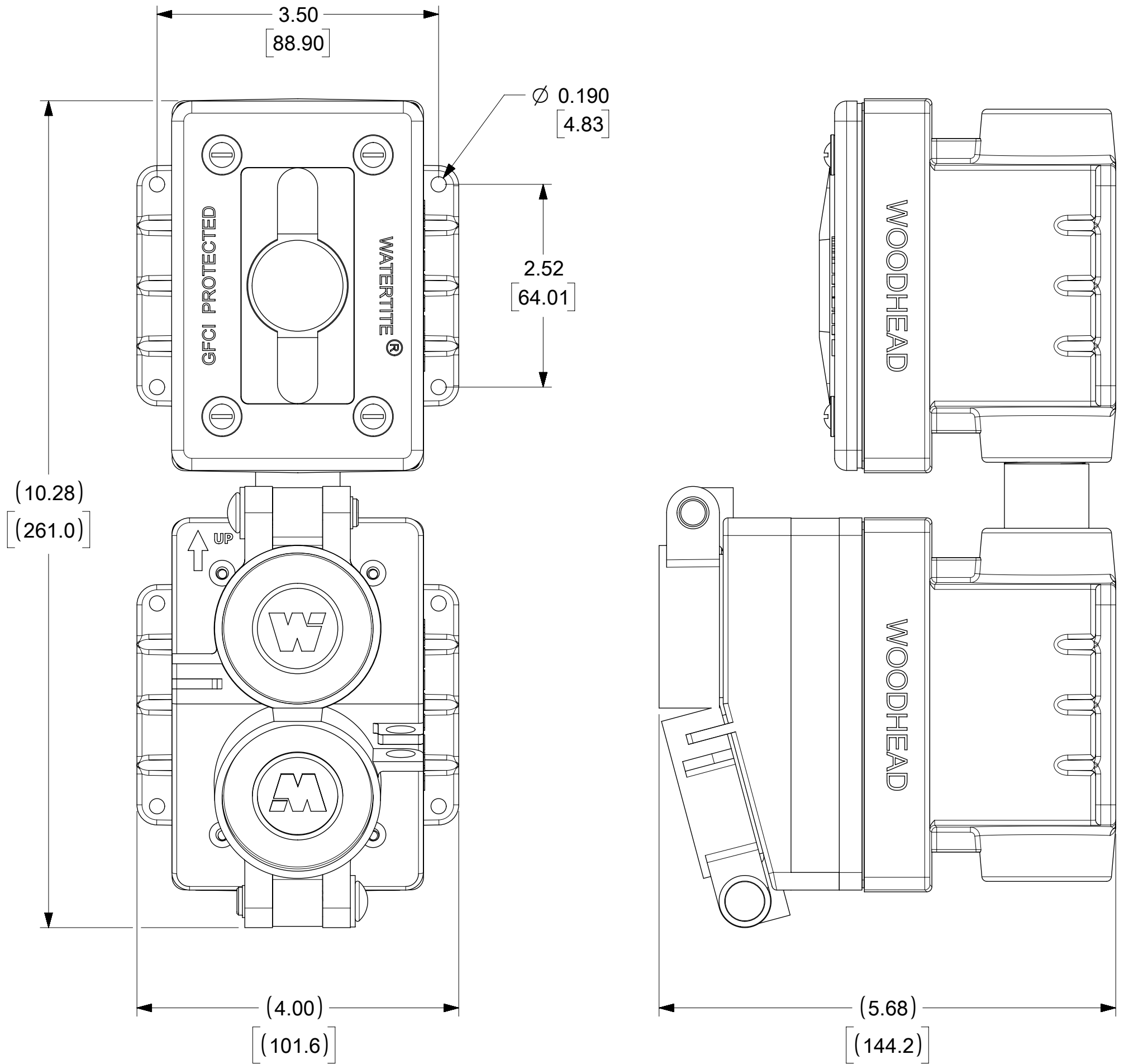
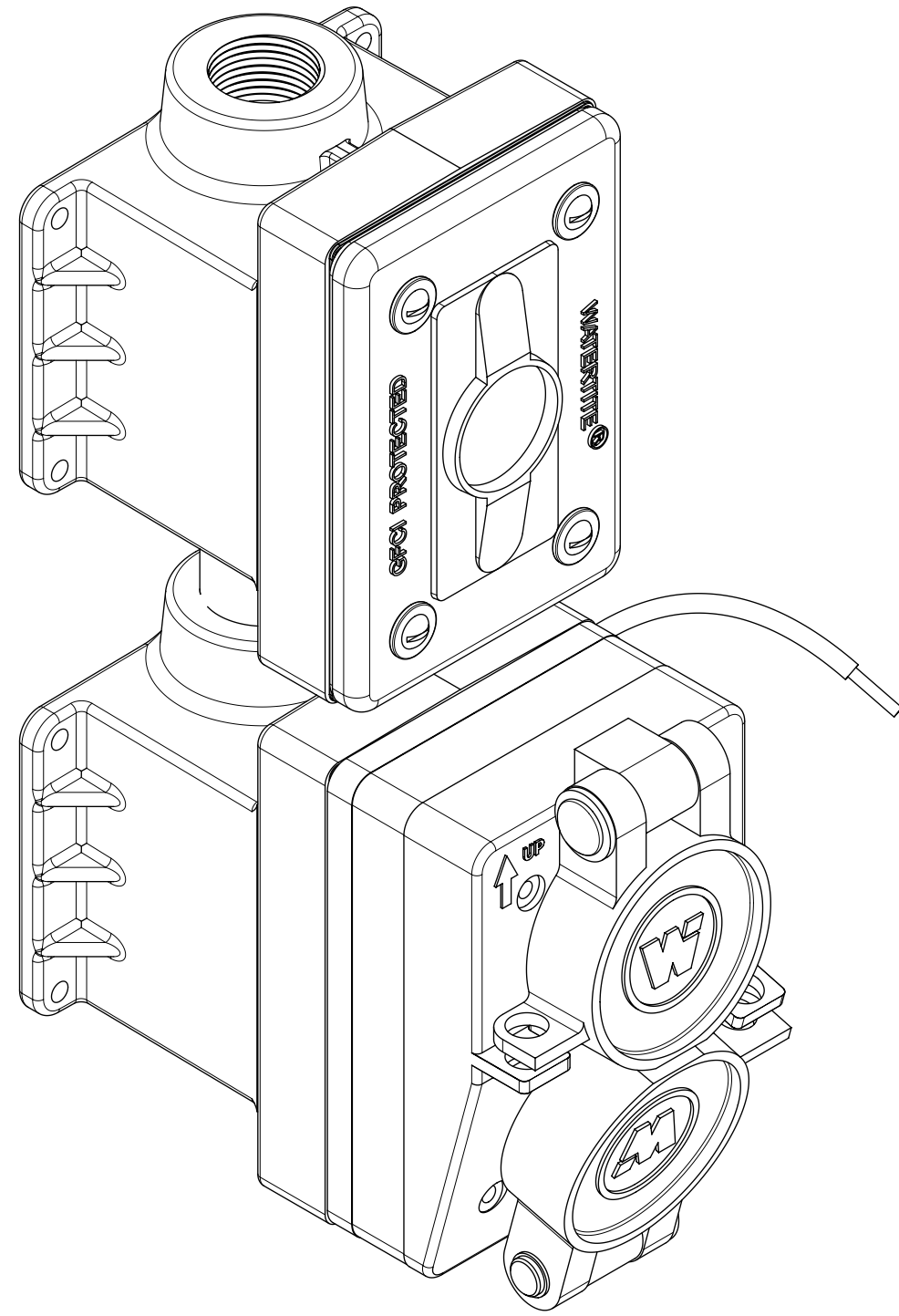


| | | |
|-------------|--------------|--------|
| ORDER NO. | WOODHEAD NO. | COLOR |
| 130155-0092 | 60W47DPLXGF | YELLOW |



| DESCRPTION | MATERIAL | QTY. |
|----------------------------|--|------|
| COVER FLIP LID | NYLON, STAINLESS STEEL | 1 |
| COVER PLATE | STAINLESS STEEL | 1 |
| GASKET | NEOPRENE | 1 |
| FEMALE INSERT ASSY | NYLON, BRASS, NICKEL & ZINC PLATED | 2 |
| RETAINING SCREWS | STAINLESS STEEL | 6 |
| MOUNTING PLATE FD BOX | STAINLESS STEEL | 4 |
| FD BOX | COMPOSITE, UNSATURATED POLYCARBONATE | 2 |
| GFCI DEVICE 20A | POLYCARBONATE, THERMOPLASTIC, PLATED STEEL, BRASS. | 1 |
| PHILLIPS SCREW | STAINLESS STEEL | 8 |
| GFCI COVER PLATE | SILICONE | 1 |
| SCREW PAN HEAD | STAINLESS STEEL | 4 |
| THREADED NIPPLE | CHLORINATED POLYVINYL CHLORIDE (CPVC) | 1 |
| JUMPER WIRE ASSY | COPPER, BRASS (TINNED FINISH) | 1 |
| SCREW (GROUND WIRE) | STAINLESS STEEL | 1 |
| BLACK WIRE - 3.0 IN LONG | COPPER WIRE | 1 |
| GREEN WIRE - 2-3/4 IN LONG | COPPER WIRE | 1 |
| WHITE WIRE - 4 IN LONG | COPPER WIRE | 1 |
| #12-1 BLACK PVC WIRE | COPPER WIRE | 1 |
| #12-1 GREEN PVC WIRE | COPPER WIRE | 1 |
| #12-1 WHITE PVC WIRE | COPPER WIRE | 1 |

| SYMBOLS | | THIS DRAWING CONTAINS INFORMATION THAT IS PROPRIETARY TO MOLEX ELECTRONIC TECHNOLOGIES, LLC AND SHOULD NOT BE USED WITHOUT WRITTEN PERMISSION | |
|---------|--|---|--------------------------------------|
| ▽ = 0 | INCH[MM] | SCALE | CURRENT REV DESC: MIGRATE TO NX/ECTR |
| ▽ = 0 | NTS | | |
| ▽ = 0 | GENERAL TOLERANCES (UNLESS SPECIFIED) | | |
| ▽ = 0 | MM | INCH | |
| ▽ = 0 | 4 PLACES | ± | EC NO: 612113 |
| ▽ = 0 | 3 PLACES | ± | DRWN: SRPATIL 2019/01/07 |
| ▽ = 0 | 2 PLACES | ± | CHK'D: DNGUYEN62 2019/02/21 |
| ▽ = 0 | 1 PLACE | ± | APPR: HKNEELAND 2019/03/02 |
| ▽ = 0 | 0 PLACES | ± | INITIAL REVISION: |
| ▽ = 0 | ANGULAR TOL | ± ° | DRWN: SRPATIL 2019/01/07 |
| ▽ = 0 | DRAFT WHERE APPLICABLE MUST REMAIN WITHIN DIMENSIONS | | APPR: HKNEELAND 2019/03/02 |
| ▽ = 0 | THIRD ANGLE PROJECTION | DRAWING | SERIES |
| | | C-SIZE | 130155 |

molex

WATERTITE FD GFCI DUPLEX ASSY 2P3W 5-15

PRODUCT CUSTOMER DRAWING

DOCUMENT NUMBER DOC TYPE DOC PART REVISION

1301550092 PSD 000 A

MATERIAL NUMBER CUSTOMER SHEET NUMBER

SEE TABLE GENERAL MARKET 1 OF 1

DOCUMENT STATUS P1 RELEASE DATE 2019/03/02 00:05:57