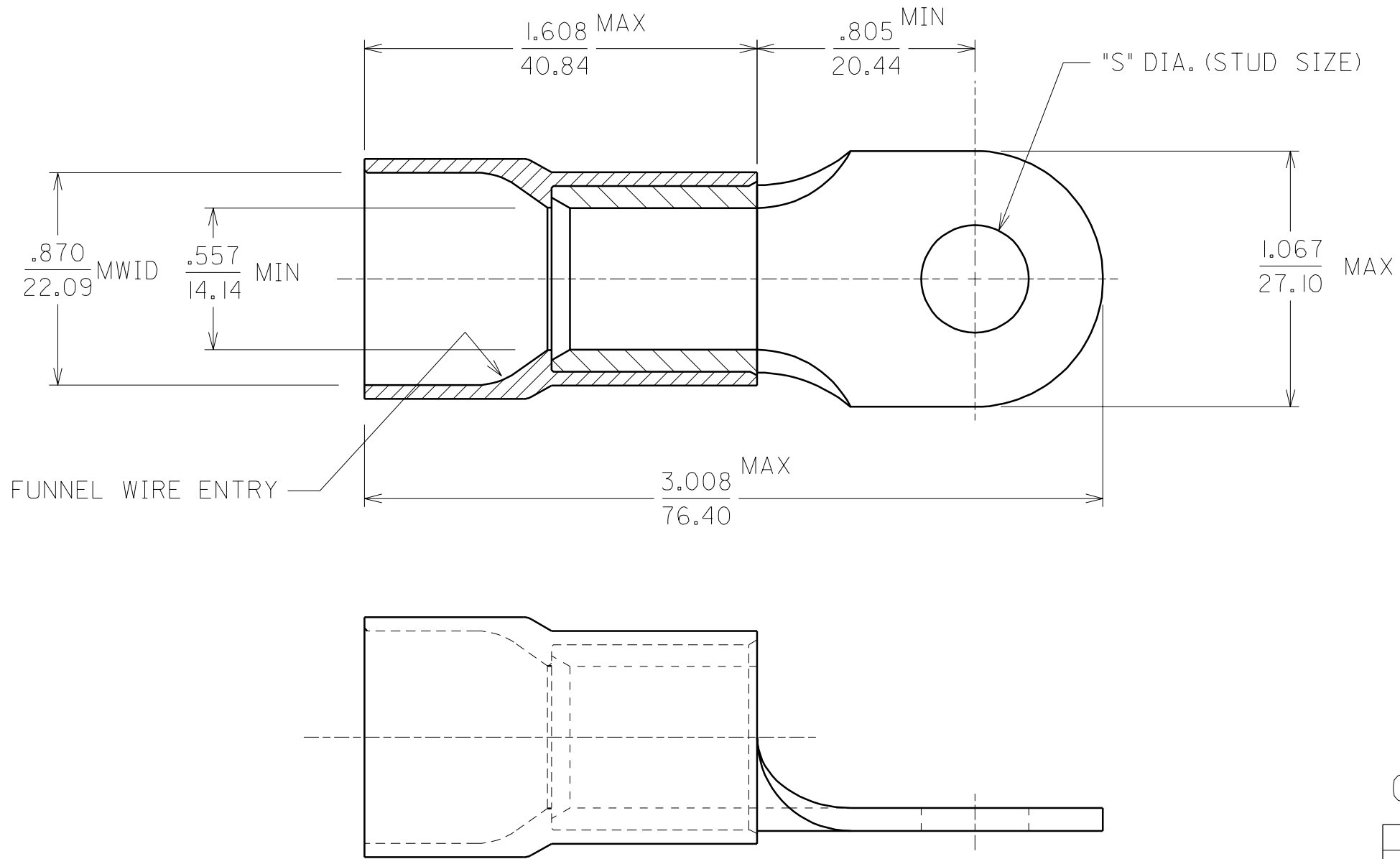


MATERIAL NUMBER	ALTERNATE NUMBER	STUD SIZES	"S"
190670117	K-990-12	1/2	.515
190670118	K-990-38	3/8	.390
190670119	K-990-56	5/16	.328
190670120	K-990-58	5/8	.656
190670121	K-990-76	7/16	.453



- NOTES:
1. MATERIAL: COPPER .091 THICK
PLATING: ELECTROPLATE TIN
 2. INSULATION: RED NYLON 6/6
 3. MWID=MAXIMUM WIRE INSULATION DIA.
 4. ALL DIMENSIONS IN INCHES/(MM).

CUSTOMER DRAWING

A	NEW CUST DGN ETC2001-0251 01/02/27 EDB
LTR.	REVISIONS

DIMENSIONS SHOWN (METRIC) INCH		REVISE ONLY ON CAD SYSTEM	
UNLESS OTHERWISE SPECIFIED TOLERANCES: ANGULAR ± 1/2°		TITLE NYLAKRIMP FUNNEL ENTRY RING TONGUE TERMINAL 3/0 AWG	
		molex ETC INC. SHEET NO. DATE PINELLAS PARK, FLA. 33781 U.S.A. 1 OF 1 01/02/02	
		PART NO. DRWG. NO. SEE CHART SD-19067-008	
3 PLACE ± .005 ± ---	INCH METRIC	THIS DRAWING CONTAINS INFORMATION THAT IS PROPRIETARY TO MOLEX-ETC INC. AND SHOULD NOT BE USED WITHOUT WRITTEN PERMISSION.	
2 PLACE ± .01 ± 0.13		FILE NAME	DIV. SIZE
1 PLACE ± --- ± 0.25		SD19067008	ET B
DRAFT WHERE APPLICABLE MUST REMAIN WITHIN DIMENSIONS			
DRWG. BY EDB	CHK'D. BY HEB		
APP'D. BY RWD	SCALE NO:NE		