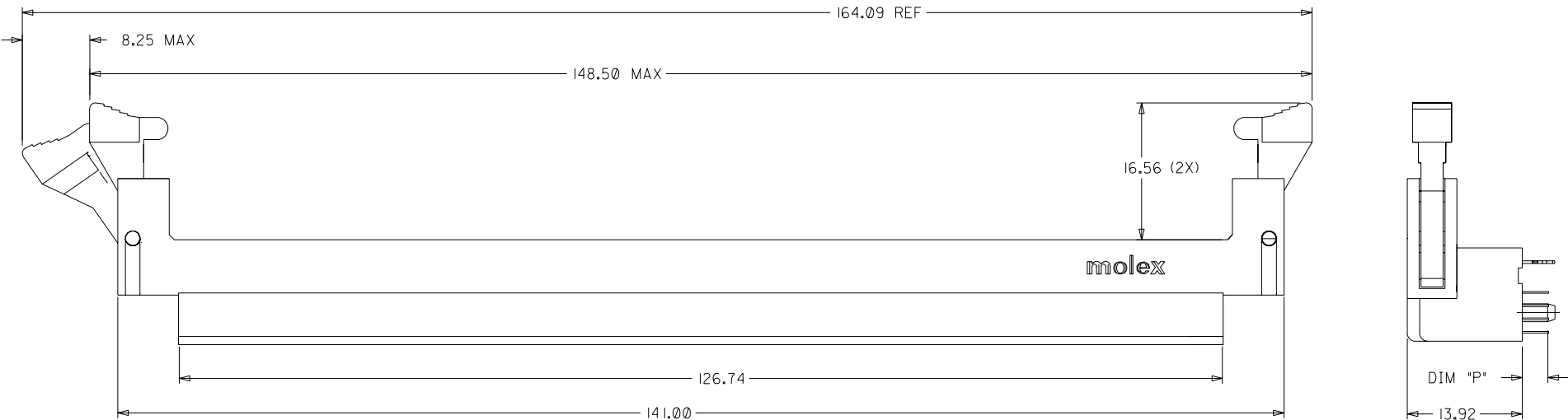
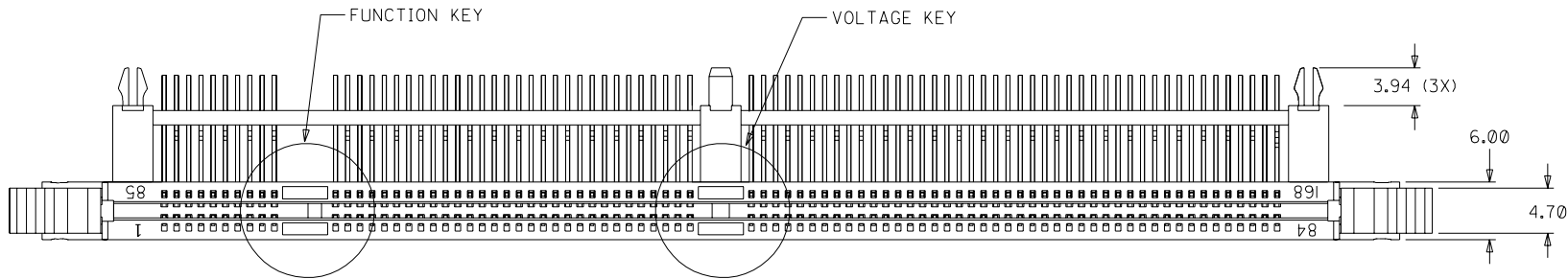


NOTES:

1. PRODUCT SPEC PS-87609-002 APPLIES.
2. PRODUCT IS PACKAGED IN TRAYS.
3. MATERIALS:
 HOUSING- HIGH-TEMP THERMOPLASTIC
 TERMINAL- PHOSPHOR BRONZE
 LATCHES - HIGH-TEMP THERMOPLASTIC
 FORKLOCKS - COPPER ALLOY OR STEEL ALLOY
 BASE-PLATE - HIGH-TEMP THERMOPLASTIC
 COVER - HIGH-TEMP THERMOPLASTIC
4. PLATING:
 CONTACT AREA:
 SEE TABLE ON SHEET 3 OF 3
 FOR GOLD PLATING OPTION AT CONTACT AREA
 SOLDER TAILS: 75µIN./(1.9µM) MIN. TIN-LEAD
 UNDERPLATE: 50µIN./(1.27µM) MIN. NICKEL

REVISE PER ECN EC NO. S2002-0370 DRWN: DSOH 020305 CHK: JS COH 020306 APPR: KC LING 020306	QUALITY SYMBOLS MAJOR ▼ = 0 CRITICAL ▽ = 0	GENERAL TOLERANCES: (UNLESS SPECIFIED)		SCALE	DESIGN UNITS	THIRD ANGLE PROJECTION	DIMENSIONS:		SHT	REV	
		4 PLACES	mm	INCH	NTS		<input checked="" type="checkbox"/> mm <input type="checkbox"/> INCH	<input type="checkbox"/> mm <input type="checkbox"/> INCH	<input checked="" type="checkbox"/> mm ONLY		
		3 PLACES	±0. --- ±.								
		2 PLACES	±0.25 ±.								
		1 PLACE	±0. --- ±.								
		ANGULAR: ± 5°									
				DRAWN BY & DATE STEVEN Q 000121	TITLE: 1.27 MM PITCH RIGHT ANGLE 168 CKTS MULTI-KEY DIMM						
				CHECKED BY & DATE KC LING 000301	MOLEX INCORPORATED						
				APPROVED BY & DATE SK TOH 000303							
				CAD FILENAME NA	MATERIAL NO. SEE TABLE	DRAWING NO. SD-87609-001	SHEET NO. 1 OF 3				
				THIS DRAWING CONTAINS INFORMATION THAT IS PROPRIETARY TO MOLEX INCORPORATED AND SHOULD NOT BE USED WITHOUT WRITTEN PERMISSION.						SIZE A3	

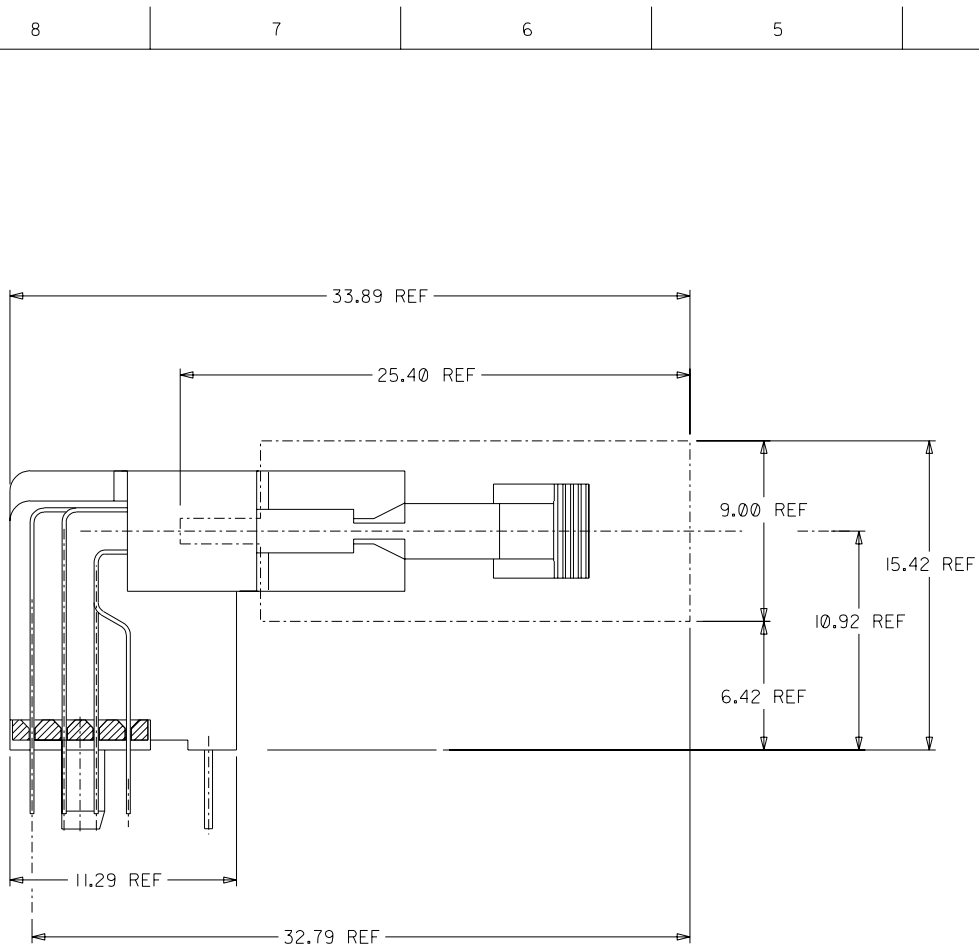
8 7 6 5 4 3 2 1



NOTES:

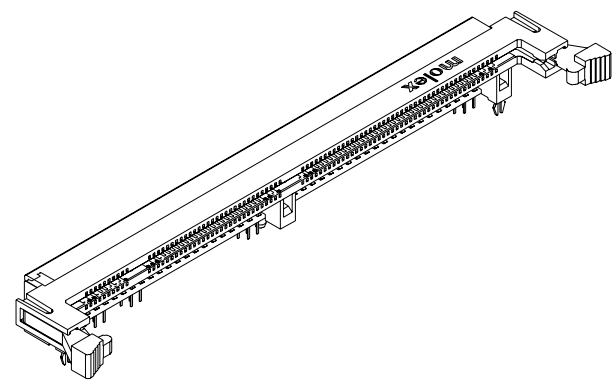
1. PRODUCT SPEC PS-87609-002 APPLIES.
2. PRODUCT IS PACKAGED IN TRAYS.
3. MATERIALS:
 HOUSING- HIGH-TEMP THERMOPLASTIC
 TERMINAL- PHOSPHOR BRONZE
 LATCHES - HIGH-TEMP THERMOPLASTIC
 FORKLOCKS - COPPER ALLOY OR STEEL ALLOY
 BASE-PLATE - HIGH-TEMP THERMOPLASTIC
 COVER - HIGH-TEMP THERMOPLASTIC
4. PLATING:
 CONTACT AREA:
 SEE TABLE ON SHEET 3 OF 3
 FOR GOLD PLATING OPTION AT CONTACT AREA
 SOLDER TAILS: 75µIN./(1.91µM) MIN. TIN-LEAD
 UNDERPLATE: 50µIN./(1.27µM) MIN. NICKEL

REVISE PER ECN EC NO. S2002-0370 DRWN: DSOH 020305 CHK: JS COH 020306 APPR: KC LING 020306	QUALITY SYMBOLS MAJOR ▼ = 0 CRITICAL ▽ = 0	GENERAL TOLERANCES: (UNLESS SPECIFIED)		SCALE NTS	DESIGN UNITS <input checked="" type="checkbox"/> mm <input type="checkbox"/> INCH	THIRD ANGLE PROJECTION <input type="checkbox"/> mm <input checked="" type="checkbox"/> INCH	DIMENSIONS: <input type="checkbox"/> mm <input type="checkbox"/> INCH <input checked="" type="checkbox"/> mm ONLY	SHT	REV	
		4 PLACES	±0. ---	±.	DRAWN BY & DATE STEVEN O 000121		TITLE: 1.27 MM PITCH RIGHT ANGLE 168 CKTS MULTI-KEY DIMM			
		3 PLACES	±0. ---	±.	CHECKED BY & DATE KC LING 000301		MOLEX INCORPORATED MATERIAL NO. SEE TABLE DRAWING NO. SD-87609-001 SHEET NO. 1 OF 3			
		2 PLACES	±0.25	±.	APPROVED BY & DATE SK TOH 000303					
1 PLACE	±0. ---	±.	ANGULAR: ± 5°		CAD FILENAME NA		THIS DRAWING CONTAINS INFORMATION THAT IS PROPRIETARY TO MOLEX INCORPORATED AND SHOULD NOT BE USED WITHOUT WRITTEN PERMISSION.			
REV	DESCRIPTION	SIZE A3								



ACTUAL MODULE HEIGHT AND CLEARANCE
WHEN USING A 9.00MM THICK BY 25.40MM HEIGHT
MODULE (TYPICAL SOJ PACKAGING).

MATERIAL NO.	FUNCTION KEY	GOLD PLATING OPTION AT CONTACT AREA	DATUM VOLTAGE KEY	TAIL LENGTH P±0.25
87609-0048	LEFT	15µIN/(0.38µM) MIN.	CENTER (3.3V)	2.79
87609-0049	CENTRE			
87609-0050	RIGHT			
87609-0148	LEFT	30µIN/(0.76µM) MIN.	CENTER (3.3V)	3.18
87609-0149	CENTRE			
87609-0150	RIGHT			
87609-0057	LEFT	15µIN/(0.38µM) MIN.	CENTER (3.3V)	3.56
87609-0058	CENTRE			
87609-0059	RIGHT			
87609-0157	LEFT	30µIN/(0.76µM) MIN.	CENTER (3.3V)	3.56
87609-0158	CENTRE			
87609-0159	RIGHT			
87609-0066	LEFT	15µIN/(0.38µM) MIN.	CENTER (3.3V)	3.56
87609-0067	CENTRE			
87609-0068	RIGHT			
87609-0166	LEFT	30µIN/(0.76µM) MIN.	CENTER (3.3V)	3.56
87609-0167	CENTRE			
87609-0168	RIGHT			



REVISE PER ECN EC NO. S2002-0370 DRWN: DSOH 020305 CHK: JS COH 020306 APPR: KC LING 020306	DESCRIPTION MAJOR ▼ = 0 CRITICAL ▽ = 0	QUALITY SYMBOLS	GENERAL TOLERANCES: (UNLESS SPECIFIED)		SCALE NTS	DESIGN UNITS <input checked="" type="checkbox"/> mm <input type="checkbox"/> INCH	THIRD ANGLE PROJECTION <input type="checkbox"/> mm <input type="checkbox"/> INCH <input checked="" type="checkbox"/> mm ONLY	SHT	REV
			4 PLACES ±0. --- ±.	3 PLACES ±0. --- ±.	2 PLACES ±0.25 ±.	1 PLACE ±0. --- ±.	ANGULAR: ± 5°	DRAWN BY & DATE STEVEN O 000121	TITLE: 1.27 MM PITCH RIGHT ANGLE 168 CKTS MULTI-KEY DIMM
C	REV	APPROVED BY & DATE SK TOH 000303				MATERIAL NO. SEE TABLE			
		CAD FILENAME NA				DRAWING NO. SD-87609-001		SHEET NO. 3 OF 3	
THIS DRAWING CONTAINS INFORMATION THAT IS PROPRIETARY TO MOLEX INCORPORATED AND SHOULD NOT BE USED WITHOUT WRITTEN PERMISSION.									SIZE A3