

Ledex® Magnetic Latching Box Frame Size B17-L

Part Number: B17 - L - **X** **XX** - B-3

Coil Selection
(from performance chart below)

Pole Configuration
1 Flat Face

All products are RoHS Compliant

LINEAR Open Frame

Specifications

| | |
|---------------------|---|
| Operation | Pull |
| Dielectric Strength | 500 VRMS for one second |
| Unlatch Voltage | See schematic and coil data below |
| Magnet Hold Force* | 10 oz. (2.5 N) |
| Coil Insulation | Class "B": 130°C max. |
| Coil Termination | 10" (254 mm) PVC lead wires |
| Spring Force | 16.0 oz/in; 2.4 oz latched position |
| Plunger Pole Face | Flat face (other options available) |
| Plunger Weight | 0.08 oz. (2.46 g) |
| Total Weight | 0.70 oz. (19.85 g)*In no power, latched position. |

* In no power, latched position, with return spring



Battery Powered



High Speed



Magnetic Latching



Miniature Size

Performance

| | Unlatch Voltage | | | |
|-------------------------------|-----------------|-----|-----|-----|
| | 50% | 25% | 10% | |
| Maximum Duty Cycle | | | | |
| Recommended Max ON Time (sec) | 1 | 1 | 1 | 1 |
| Watts (@ 20°C) | 1.6 | 3.2 | 6.4 | 16 |
| Ampere Turns (@ 20°C) | 292 | 414 | 584 | 923 |

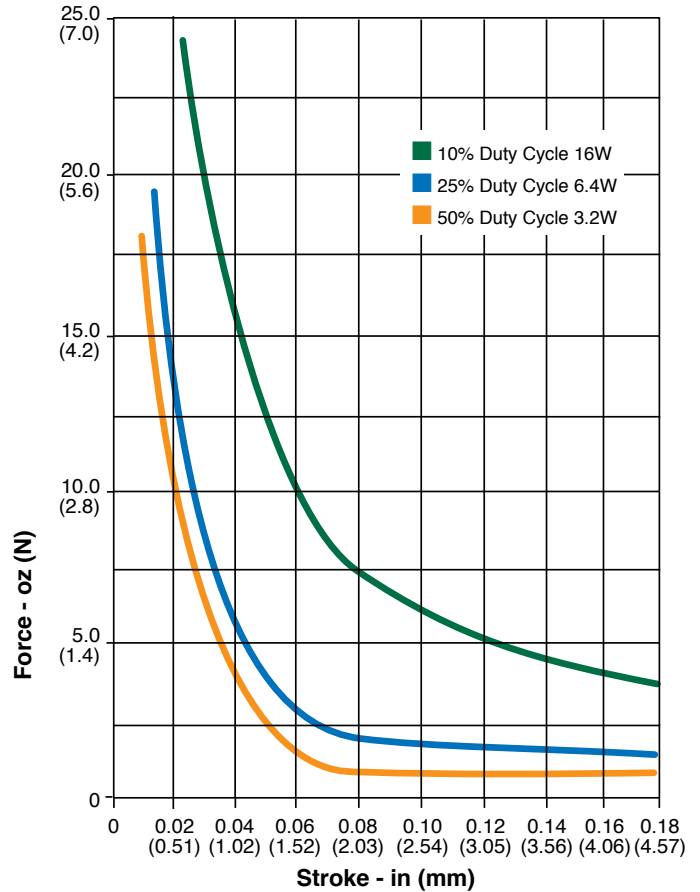
Coil Data

| Part Number | Resistance (@20°C) | Ref # Turns | Unlatch VDC | VDC (Nom) | VDC (Nom) | VDC (Nom) |
|---------------|--------------------|-------------|-------------|-----------|-----------|-----------|
| B17-L-158-B-3 | 5.40 | 556 | 3 | 4 | 6 | 9 |
| B17-L-155-B-3 | 21.93 | 1112 | 6 | 8.5 | 12 | 19 |
| B17-L-156-B-3 | 50.20 | 1540 | 9 | 12 | 18 | 28.3 |
| B17-L-154-B-3 | 88.95 | 2208 | 12 | 17 | 24 | 38 |
| B17-L-153-B-3 | 337.00 | 3687 | 24 | 34 | 48 | 76 |
| B17-L-152-B-3 | 1465.00 | 9177 | 48 | 68 | 96 | 153 |

NOTES:

- All data is typical.
- Force testing is done with the solenoid in the horizontal position.
- All data reflects operation with no heatsink.

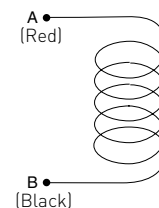
Typical Force @ 20°C (Net, with Spring)



Coil Polarity

Latch: A+ B-

Unlatch: A- B+



How to Order

Select the part number from the table provided. (For example, to order a 25% duty cycle unit rated at 48 VDC, specify B17-L-153-B-3.

Please see www.ledex.com for our list of stock products available through our North American distributors.

All specifications subject to change without notice.

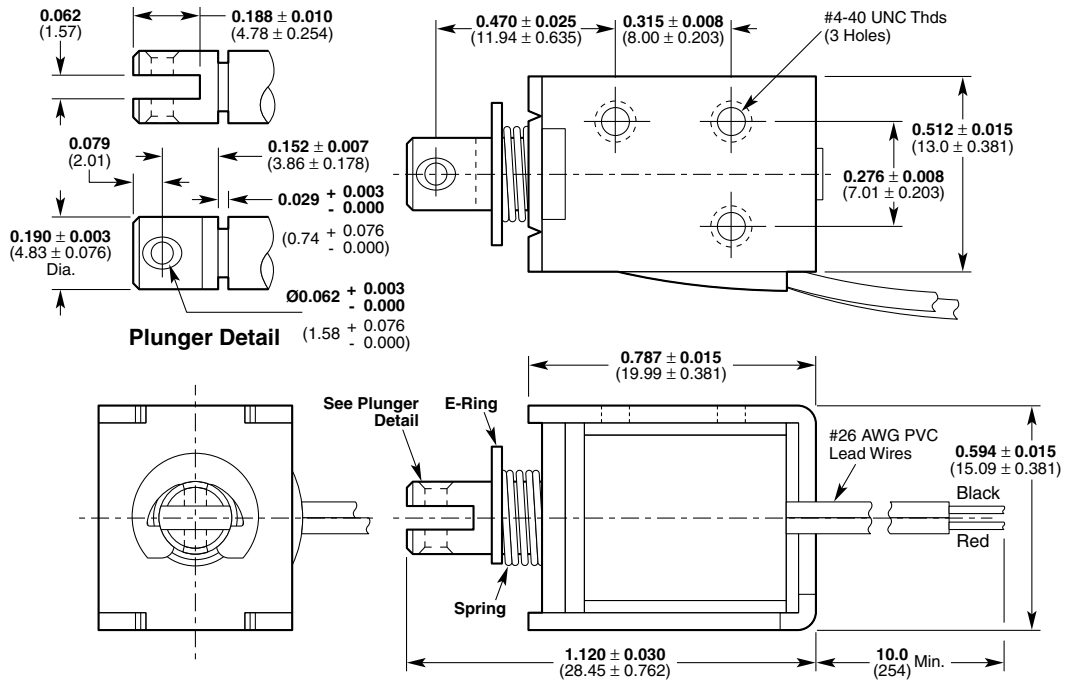
Force values for reference only.

Ledex® Magnetic Latching Box Frame Size B17-L

Dimensions

Inches (mm)

All solenoids are illustrated in energized state



All specifications subject to change without notice.