

# W76-599008

## CHARACTERISTICS:

- SWITCH STYLE: VANDAL RESISTANT PUSHBUTTON SWITCH, STAINLESS STEEL CONSTRUCTION WITH ANTI-ICING SEAL
- CIRCUITRY: MOMENTARY SPST-NO-DB (FORM X)
- ELECTRICAL RATING: 100 mA MAX AT 50 VDC RESISTIVE
- ELECTRICAL LIFE: 50,000 CYCLES AT MAX LOAD
- BREAKDOWN VOLTAGE: 1000 V MIN BETWEEN TERMINALS AND ANY EXPOSED METAL PART OF SWITCH
- OPERATING FORCE: 9.0 N (REF)
- OPERATING TEMPERATURE: -55° C TO +105° C

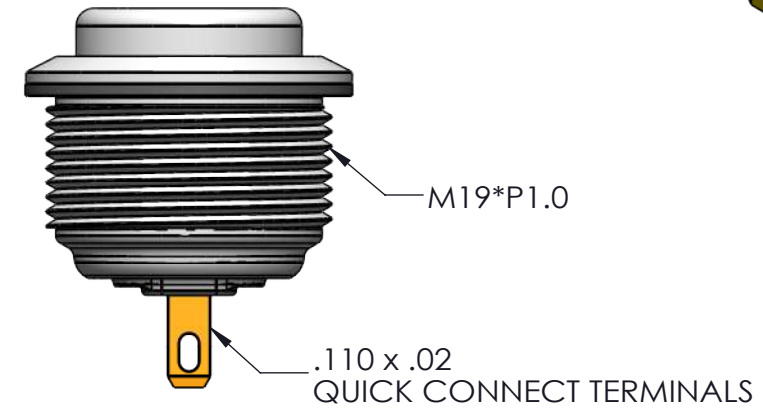
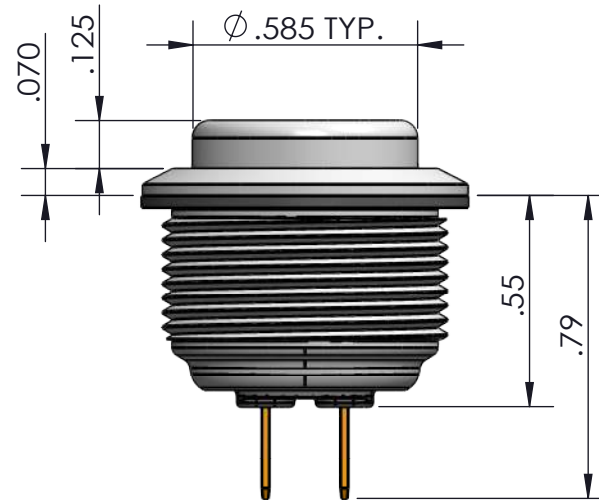
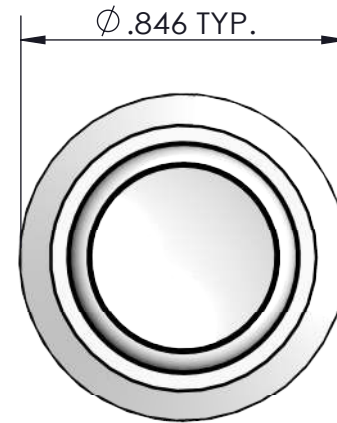
## MATERIALS:

- BUSHING: STAINLESS STEEL, TYPE 316 (PASSIVATED)
- BUTTON: STAINLESS STEEL, TYPE 316 (PASSIVATED)
- CONTACTS AND TERMINALS: GOLD PLATED BRASS
- RECOMENDED PANEL CUT-OUT: .758 DIA
- RECOMENDED PANEL THICKNESS: .04 TO .31

## NOTES:

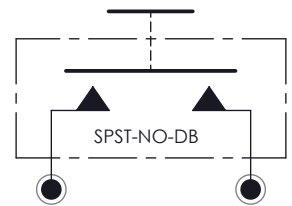
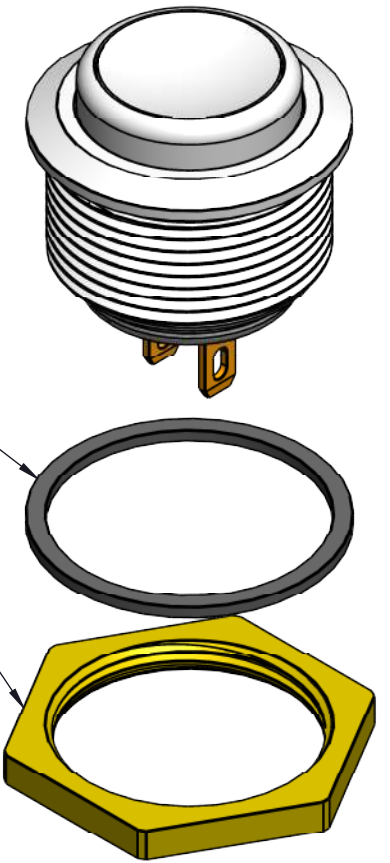
1. SWITCH IS FRONT PANEL SEALED ONLY. TERMINAL END OF SWITCH HAS ONE VENT HOLE.  
SWITCHES ARE SUPPLIED WITH (1) WASHER AND (1) HEX NUT BULK PACKAGED.

2. THIS PRODUCT COMPLIES WITH THE ROHS DIRECTIVE OF THE EU AND ALL OF ITS COMPONENTS ARE FREE OF CADMIUM, HEXAVALENT CHROMIUM, LEAD, MERCURY, POLYBROMINATED BIPHENYLS (PBB), AND POLYBROMINATED DIPHENYL ETHERS (PBDE).

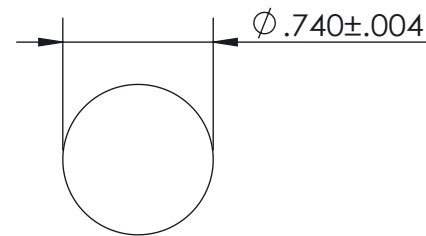


SEAL WASHER  
T=.031  
(SUPPLIED IN BULK)

SPECIAL HEX NUT  
HEX .87, M19\*P1.0  
T=.091  
(SUPPLIED IN BULK)



CIRCUIT DIAGRAM



RECOMMENDED  
PANEL CUT-OUT MOUNT

DWG TYPE SALES DRAWING	DRAWN e.e.	TOLERANCES: UNLESS OTHERWISE NOTED X.XX ± .01 X.XXX ± .005 ANGULAR ± 5°	DWG TITLE SWITCH, VANDAL RESISTANT (S.S.)						
STATUS RELEASE	REVIEW --		DWG NO. W76-599008						
<small>This document is the intellectual property of ITW Electronic Business Asia Co., Limited and may contain confidential, proprietary, privileged information protected by law. Neither this document nor any information it contains can be reproduced, transformed to any other format, or distributed, without written permission by ITW Electronic Business Asia Co., Limited. 本文作為安達維百電股份有限公司之智慧財產，非經許可不得翻取、複製、轉變成其他形式使用或散佈。</small>		APPROVED --	THIRD ANGLE PROJECTION 	<input checked="" type="checkbox"/> 管制文件 <input type="checkbox"/> 非管制文件	Unit inch	SCALE 2 : 1	REV 1	RoHS Compliant	SHEET 1 OF 2
		DATE 2022.07.05	REF: --						

## REVISION RECORD

REV	DESCRIPTION	DATE	DRAWN	DOCUMENT NO
1	RELEASE FOR PRODUCTION	2022.07.21	C.C.	DCN-202200062

DWG TYPE SALES DRAWING	DRAWN <i>c.c.</i>	TOLERANCES: UNLESS OTHERWISE NOTED X.X ± .01 X.XX ± .005 ANGULAR ± 5°	DWG TITLE SWITCH, VANDAL RESISTANT (S.S.)						
STATUS RELEASE	REVIEW --		DWG NO. W76-599008						
<small>This document is the intellectual property of ITW Electronic Business Asia Co., Limited and may contain confidential, proprietary, privileged information protected by law. Neither this document nor any information it contains can be reproduced, transformed to any other format, or distributed, without written permission by ITW Electronic Business Asia Co., Limited.                      本文件為安天德百電股份有限公司之智權財產，非經許可不得翻印、複製、轉變成其他形式使用或散佈。</small>			DATE 2022.07.05	REF: --	<input checked="" type="checkbox"/> 管制文件 <input type="checkbox"/> 非管制文件		Unit inch	SCALE 2 : 1	REV 1