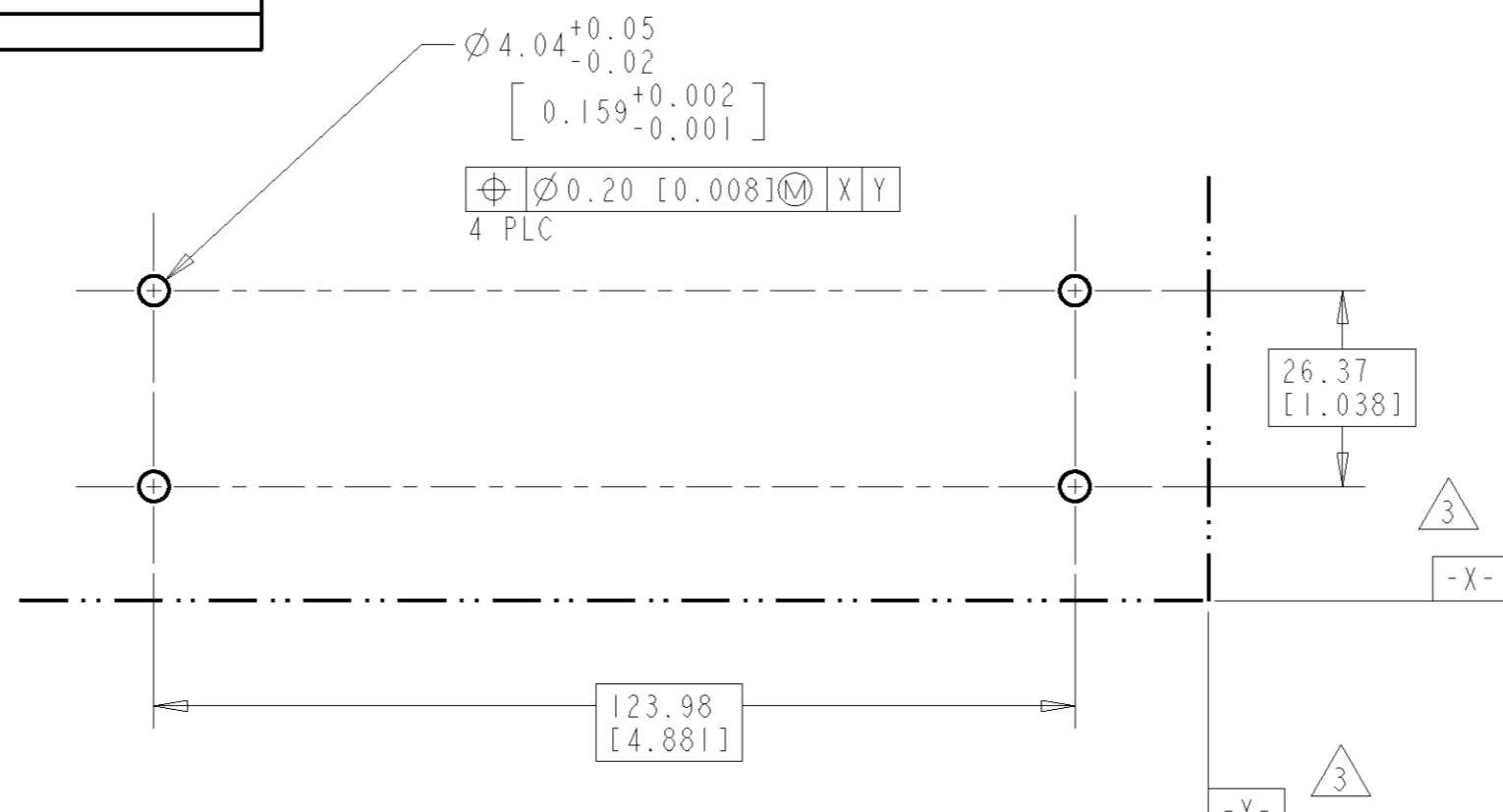
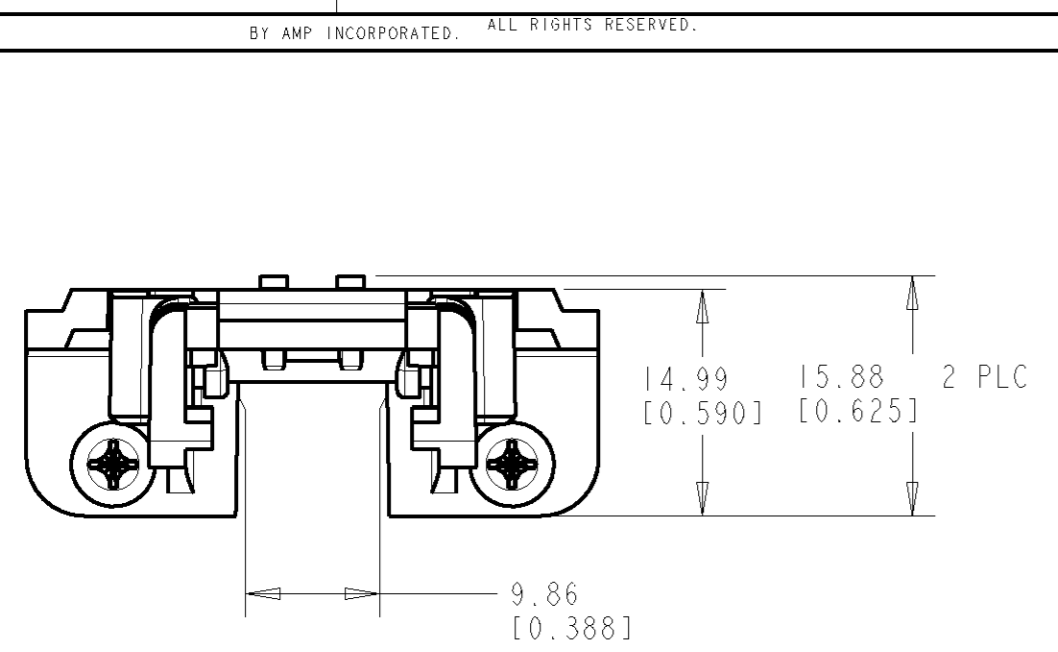


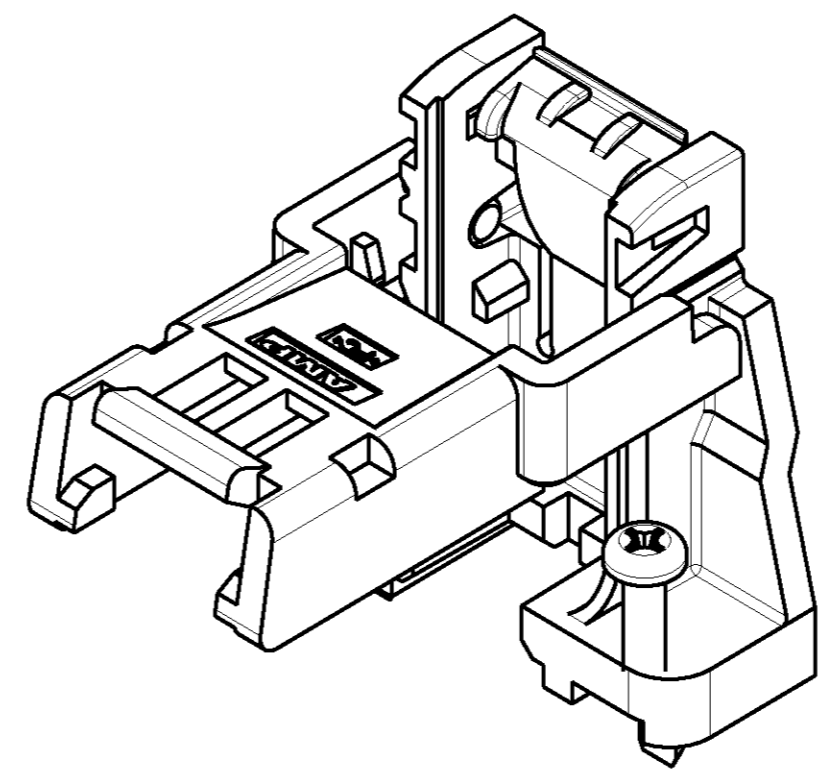
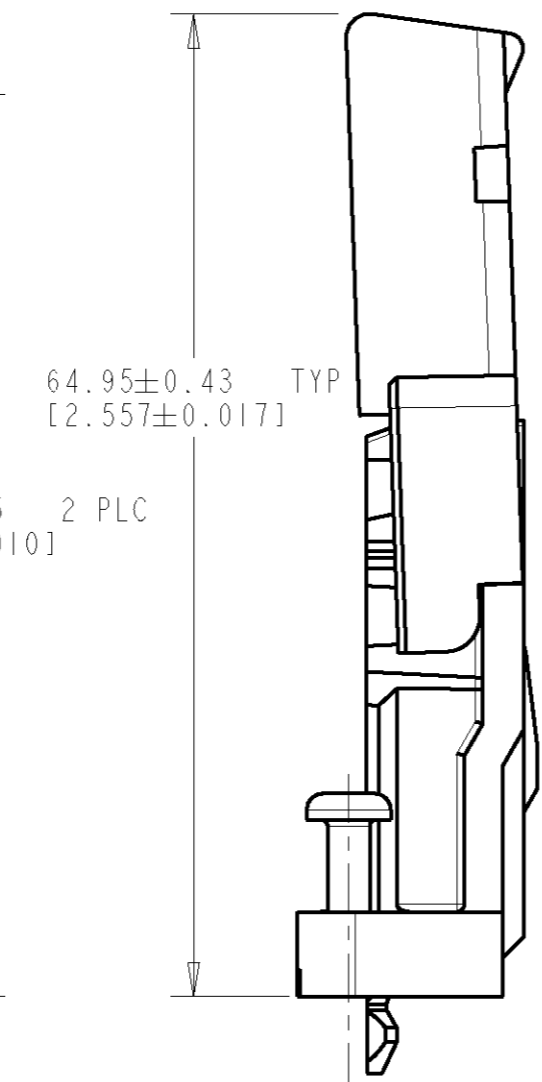
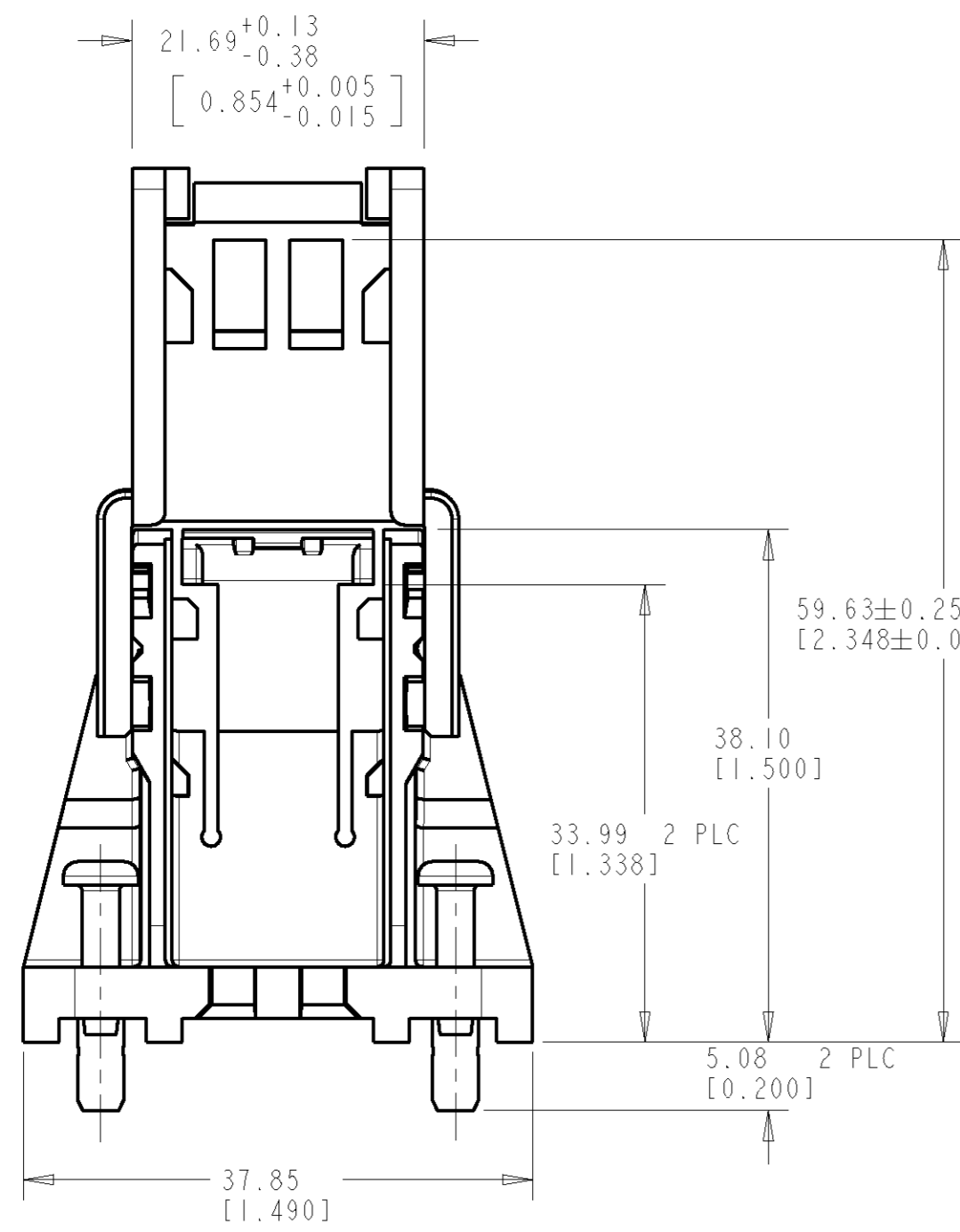
THIS DRAWING IS UNPUBLISHED. RELEASED FOR PUBLICATION
 BY AMP INCORPORATED. ALL RIGHTS RESERVED.

LOC	DIST	REVISIONS					
AD	14	P	LTR	DESCRIPTION	DATE	DWN	APVD
		0		RELEASED	04DEC98	RB	EL
		-		-	-	-	-

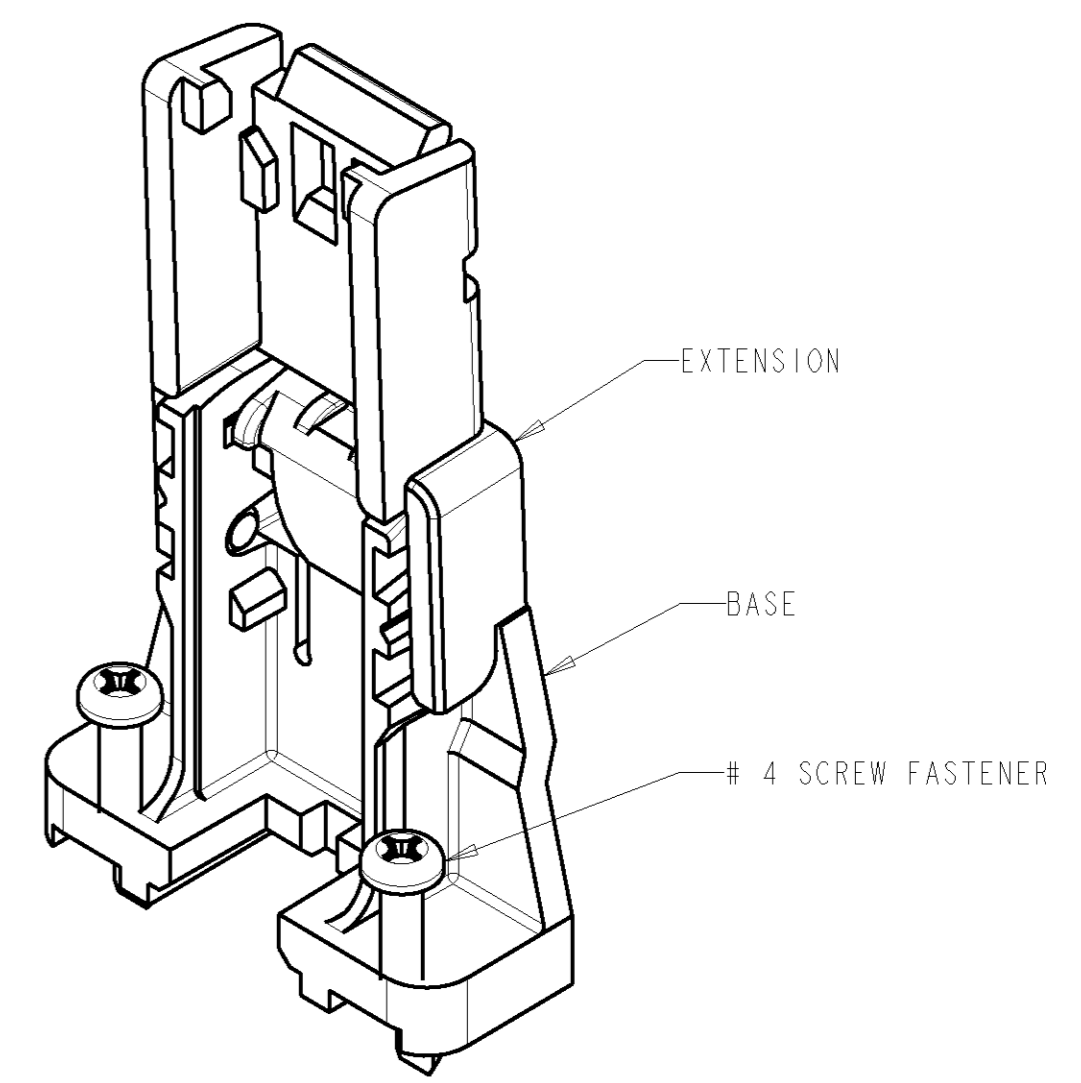


- 1 ALL MOLDED COMPONENTS- UL 94-V0 RATED POLYCARBONATE; BLACK.
- 2 RECOMMENDED PC BOARD THICKNESS OF 1.57±0.15[.062±.006].
- 3 DATUM AND BASIC DIMENSIONS ESTABLISHED BY CUSTOMER.
- 4 BULK PACKAGED IN PARTITIONED BOXES IN THE EXTENDED POSITION.
- 5 EACH PROCESSOR INSTALLATION REQ'S TWO RETENTION MODULES.

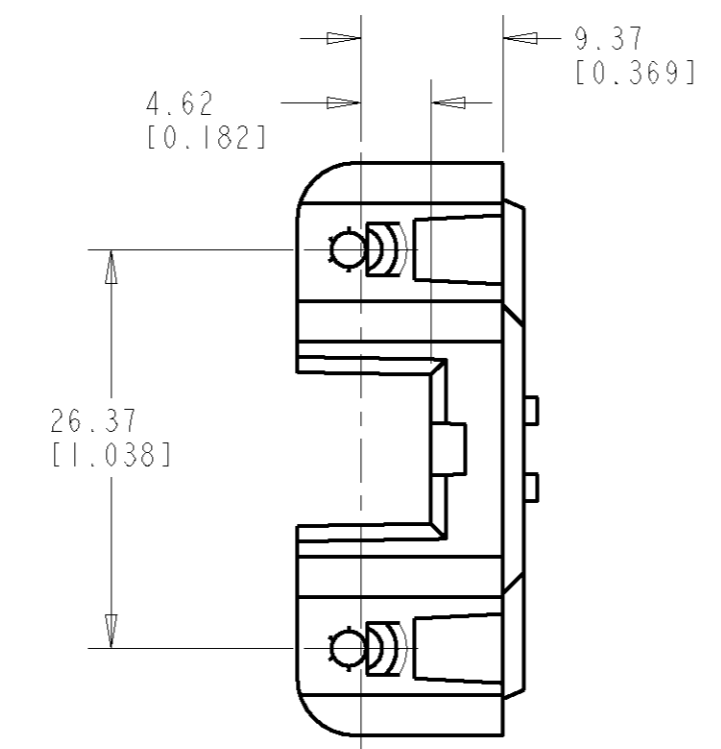
RECOMMENDED PC BOARD LAYOUT SCALE 1:1



FOLDED POSITION



EXTENDED POSITION



Ø OF PCB HOLES

2 MODULES WITH #4 SCREW FASTENERS	145436-2
1 MODULE WITH #4 SCREW FASTENERS	145436-1
DESCRIPTION	5 PART NUMBER

THIS DRAWING IS A CONTROLLED DOCUMENT FOR AMP INCORPORATED. IT IS SUBJECT TO CHANGE AND THE CONTROLLING ENGINEERING ORGANIZATION SHOULD BE CONTACTED FOR THE LATEST REVISION.		DWN R BROWN 04DEC98	AMP AMP Incorporated Harrisburg, PA 17105-3608
DIMENSIONS: mm [INCHES]		CHK E LOTTER 04DEC98	
TOLERANCES UNLESS OTHERWISE SPECIFIED:		APVD V RUMINSKI 04DEC98	NAME UNIVERSAL RETENTION MODULE ASSEMBLY KIT, SCREW FASTENER RECESSED LATCH
0 PLC ±	1 PLC ±	PRODUCT SPEC 108-1826	SIZE A2
2 PLC ±0.13[.005]	3 PLC ±	APPLICATION SPEC	CAGE CODE 00779
4 PLC ±	ANGLES ±	WEIGHT -	DRAWING NO. C-145436
FINISH -		CUSTOMER DRAWING	RESTRICTED TO -
		SCALE 2:1	SHEET 1 OF 1
		REV 0	

145436