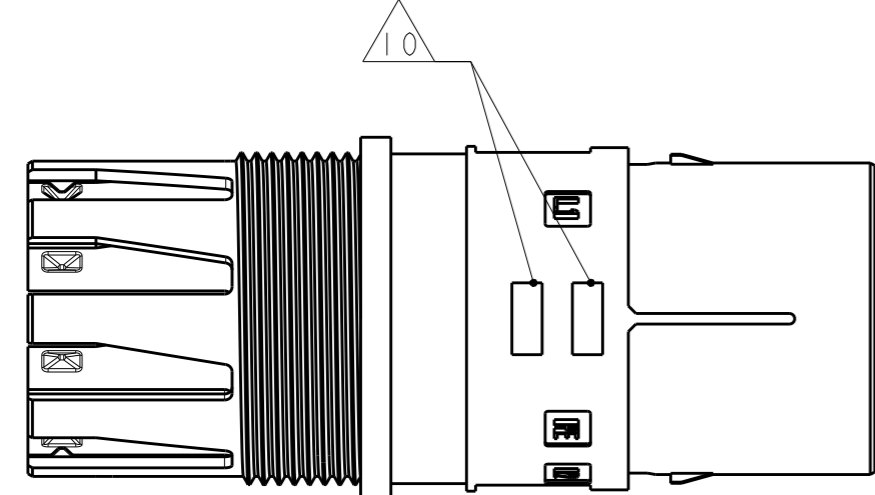
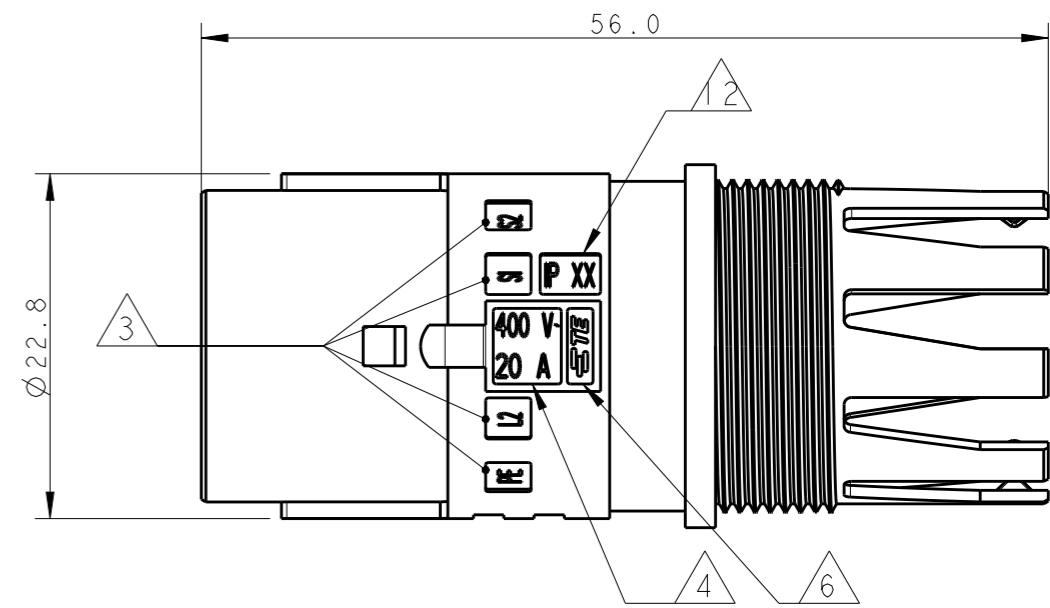
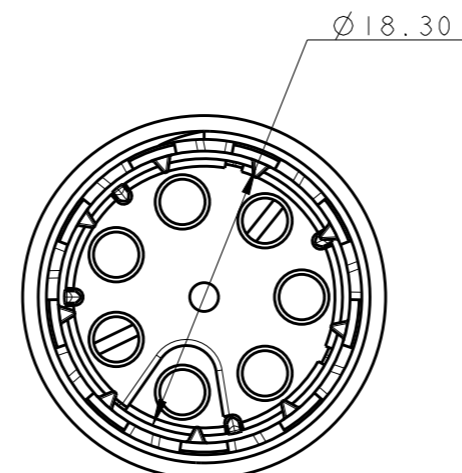
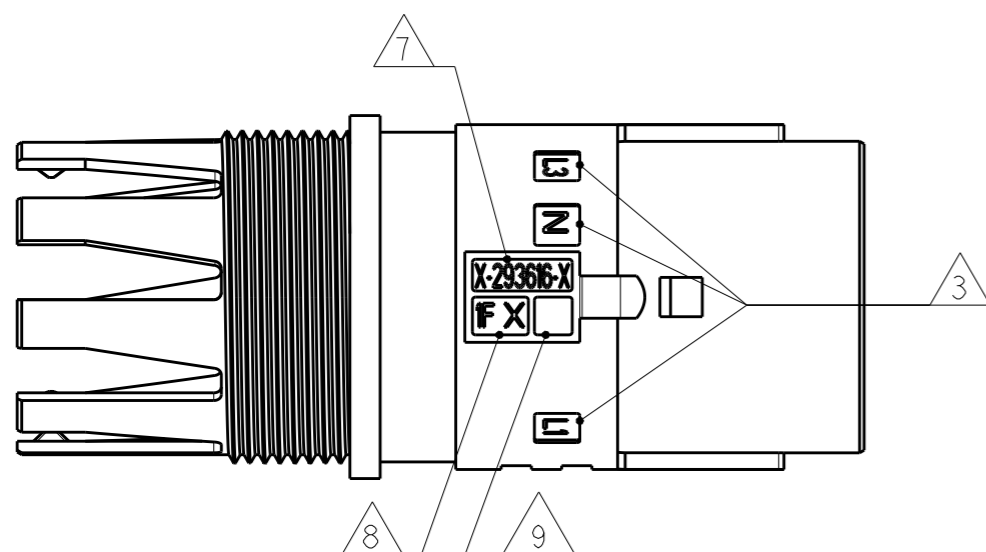
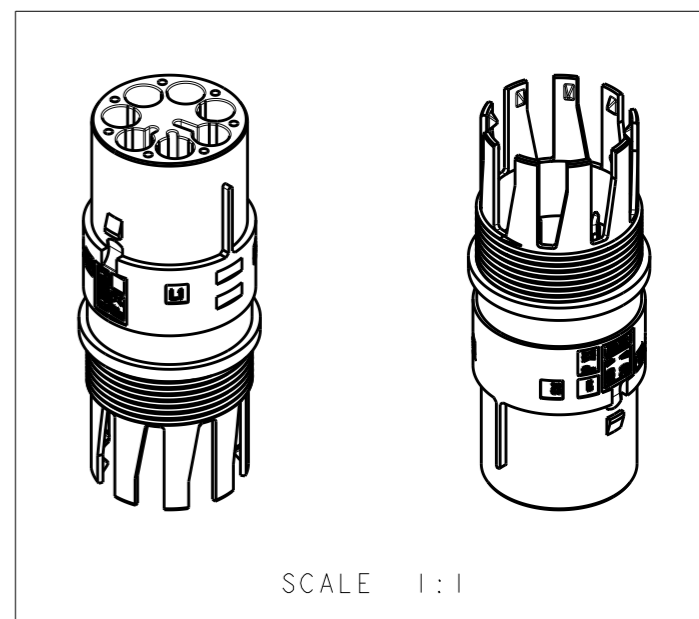
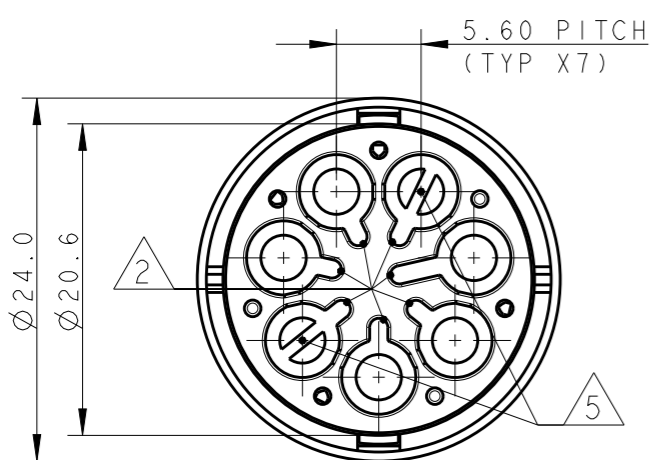



| P | LTR | DESCRIPTION | DATE | DWN | APVD |
|----|-----|-------------------------------|-----------|-----|------|
| 5 | | UPDATED | 22JUL2013 | MZ | JC |
| 6 | | REVISED LATCH SHAPE | 09AUG2013 | KR | JC |
| A | | PARTS RELEASED FOR PRODUCTION | 12NOV2013 | MZ | JC |
| AI | | ECR-18-006945 | 30MAY2018 | SR | MZ |



NOTES:

- 1 MATERIAL: PA GF (NATURAL AND BLACK COLOUR)
- 2 ALL POLARIZATION KEYS SHOWN FOR REF ONLY
- 3 WAYS I.D.
- 4 VOLTAGE AND CURRENT RATINGS
- 5 RIB CLOSING CAVITIES BY CHANGE OVER
- 6 TE LOGO
- 7 TE PART NUMBER
- 8 DATA CODE AND CAVITY I.D.
- 9 AREA FOR AGENCIES APPROVAL LOGO
- 10 VISUAL INDOCATOR FOR PE CONDUCTOR
- 11) SEE C-DRAWING 293682 (LOCKING CAP) TO GET IP 40
- 12 IP CODE
- 13 POLARISATION KEY "TYPE D" SUITABLE FOR DALI APPLICATION



| | | | | |
|--|--|-------------------------------|--|--|
| THIS DRAWING IS A CONTROLLED DOCUMENT. | | DWN M. ZUCCA 31MAR2011 |  TE Connectivity | |
| DIMENSIONS: mm | | CHK M. ZUCCA 31MAR2011 | | |
| TOLERANCES UNLESS OTHERWISE SPECIFIED: | | APVD G. TURCO 31MAR2011 | NAME PIN HOUSING FREE HANGING NECTOR* M-LINE 5 POLES UNSEALED VERSION | |
| 0 PLC ±- | | PRODUCT SPEC | SIZE A300779 | |
| 1 PLC ±0.3 | | APPLICATION SPEC | CAGE CODE C-293616 | |
| 2 PLC ±0.20 | | WEIGHT | DRAWING NO | |
| 3 PLC ±- | | Customer Drawing | RESTRICTED TO | |
| 4 PLC ±- | | | SCALE 2:1 | |
| ANGLES ±3° | | | SHEET 1 OF 2 | |
| FINISH - | | | REV AI | |

THIS DRAWING IS UNPUBLISHED.

RELEASED FOR PUBLICATION

2011

© COPYRIGHT 2011

ALL RIGHTS RESERVED.

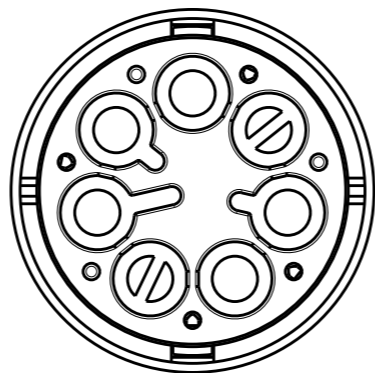
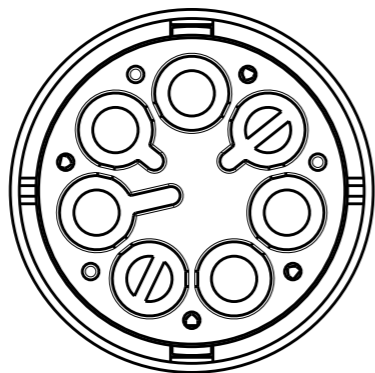
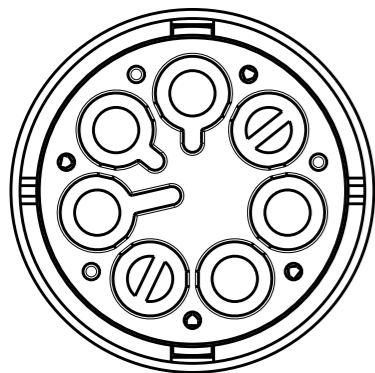
| LOC | DIST | REVISIONS | | | | | |
|-----|------|-----------|-----|-------------|------|-----|------|
| | | P | LTR | DESCRIPTION | DATE | DWN | APVD |
| 1 | - | - | - | SEE SHEET 1 | - | - | - |

POLARIZATION TYPES

POLARIZATION TYPE "A"

POLARIZATION TYPE "B"

POLARIZATION TYPE "C"



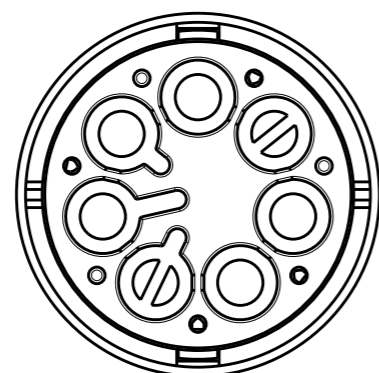
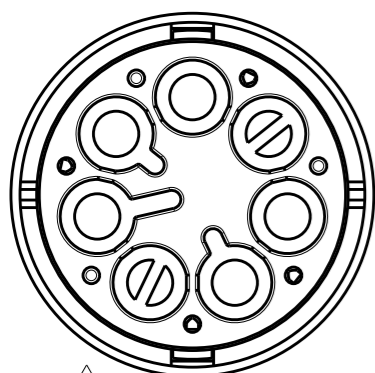
PNs 0-293616-1
AND 0-293616-1

PNs 0-293616-2
AND 0-293616-2

PNs 0-293616-3
AND 0-293616-3

POLARIZATION TYPE "D"

POLARIZATION TYPE "E"



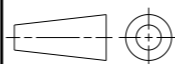
~~PNs 0-293616-4
AND 1-293616-4~~

~~PNs 0-293616-5
AND 1-293616-5~~

| | | | | | | |
|----------|--|-------------|---------|---|------|-------------|
| OBSOLETE | | E | BLACK | PIN HOUSING FREE HANG. NECTOR* M-LINE 5 POLES | A | 1-293616-5 |
| | | D | BLACK | PIN HOUSING FREE HANG. NECTOR* M-LINE 5 POLES | A | 1-293616-4 |
| | | C | BLACK | PIN HOUSING FREE HANG. NECTOR* M-LINE 5 POLES | A | 1-293616-3 |
| OBSOLETE | | B | BLACK | PIN HOUSING FREE HANG. NECTOR* M-LINE 5 POLES | A | 1-293616-2 |
| | | A | BLACK | PIN HOUSING FREE HANG. NECTOR* M-LINE 5 POLES | A | 1-293616-1 |
| | | E | NATURAL | PIN HOUSING FREE HANG. NECTOR* M-LINE 5 POLES | A | 0-293616-5 |
| | | D | NATURAL | PIN HOUSING FREE HANG. NECTOR* M-LINE 5 POLES | A | 0-293616-4 |
| | | C | NATURAL | PIN HOUSING FREE HANG. NECTOR* M-LINE 5 POLES | A | 0-293616-3 |
| NOTE | | B | NATURAL | PIN HOUSING FREE HANG. NECTOR* M-LINE 5 POLES | A | 0-293616-2 |
| | | A | NATURAL | PIN HOUSING FREE HANG. NECTOR* M-LINE 5 POLES | A | 0-293616-1 |
| | | | | | | |
| | | POL. KEYING | COLOUR | DESCRIPTION | REV. | PART NUMBER |

THIS DRAWING IS A CONTROLLED DOCUMENT.

DIMENSIONS:
mm



TOLERANCES UNLESS OTHERWISE SPECIFIED:

| | |
|--------|-------|
| 0 PLC | ± |
| 1 PLC | ±0.3 |
| 2 PLC | ±0.20 |
| 3 PLC | ± |
| 4 PLC | ± |
| ANGLES | ±3° |

MATERIAL

FINISH

DWN 31MAR2011

M. ZUCCA

CHK 31MAR2011

M. ZUCCA

APVD 31MAR2011

G. TURCO

PRODUCT SPEC

APPLICATION SPEC

WEIGHT

Customer Drawing



TE Connectivity

NAME
PIN HOUSING FREE HANGING
NECTOR* M-LINE 5 POLES
UNSEALED VERSION

| SIZE | CAGE CODE | DRAWING NO | RESTRICTED TO |
|------|-----------|------------|---------------|
| A3 | 00779 | C-293616 | - |

| SCALE | SHEET | OF | REV |
|-------|-------|----|-----|
| 2:1 | 2 | 2 | A1 |