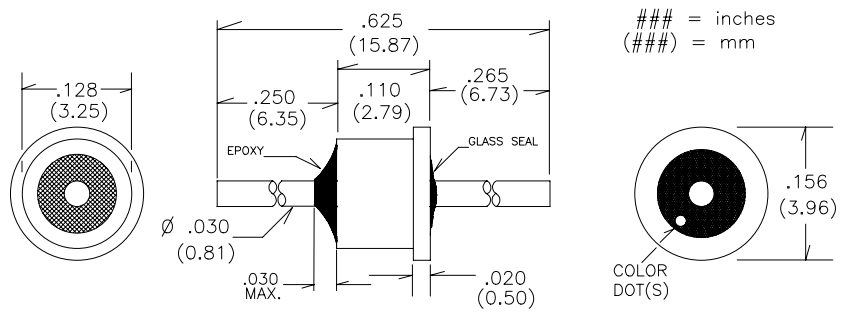
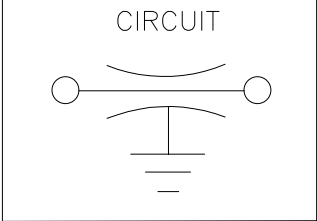




ZRC333A  
 INDUSTRY STANDARD .128" DIAMETER  
 33,000pF "REVERSE" HERMETIC SOLDER-IN



- \* RoHS Compliant
- \* Discoidal Capacitor Construction

PART NUMBER	EMI P/N	CAP. (pF)	COLOR DOT(S)	MAX. WVDC	DC AMPS	MINIMUM NO LOAD INSERTION LOSS				
						1 MHz	10 MHz	100 MHz	1 GHz	10 GHz
ZRC333A		33,000	2 RED	50	10	10	30	44	65	65

ELECTRICAL

CAPACITANCE TOLERANCE: +100/-0%  
 DISSIPATION FACTOR: 3.5% MAX.  
 INSULATION RESISTANCE:  
 25° C=10,000 Mohm Min.  
 125° C=1,000 Mohm Min.  
 DIELECTRIC STRENGTH (DWV):  
 250% of WVDC (5 seconds)  
 TEMPERATURE CHARACTERISTIC:  
 X7R or better

PHYSICAL

DIMENSION TOLERANCE:  
 CASE LENGTH: +/- .010" (.250mm)  
 LEAD LENGTH: +/- .030" (.762mm)  
 LEAD DIAMETER: +/- .002" (.051mm)  
 MATERIAL AND FINISH:  
 CASE: C12L14 CRS  
 LEAD: Alloy 52  
 FINISH: GOLD per MIL-G-45204  
 TYPE II, CLASS 0 (std)

IDENTIFICATION & LIMITS

MARKING: Color Dot standard per chart  
 OPERATING TEMP: -55° C to +125° C  
 INSTALLATION TEMPERATURE: 225° - 250° C

VENDOR:  
 EMI FILTER COMPANY  
 12750 59th Way N.  
 Clearwater, FL 33760  
 (727) 585-7990  
 (727) 586-5138 FAX  
 www.emifiltercompany.com

FILTERS, EMI, SOLDER-IN STYLE, REVERSED SEAL		
FSCM NO.	DWG NO. ZRC333A REVD	REV D

