

6

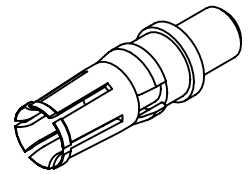
5

4

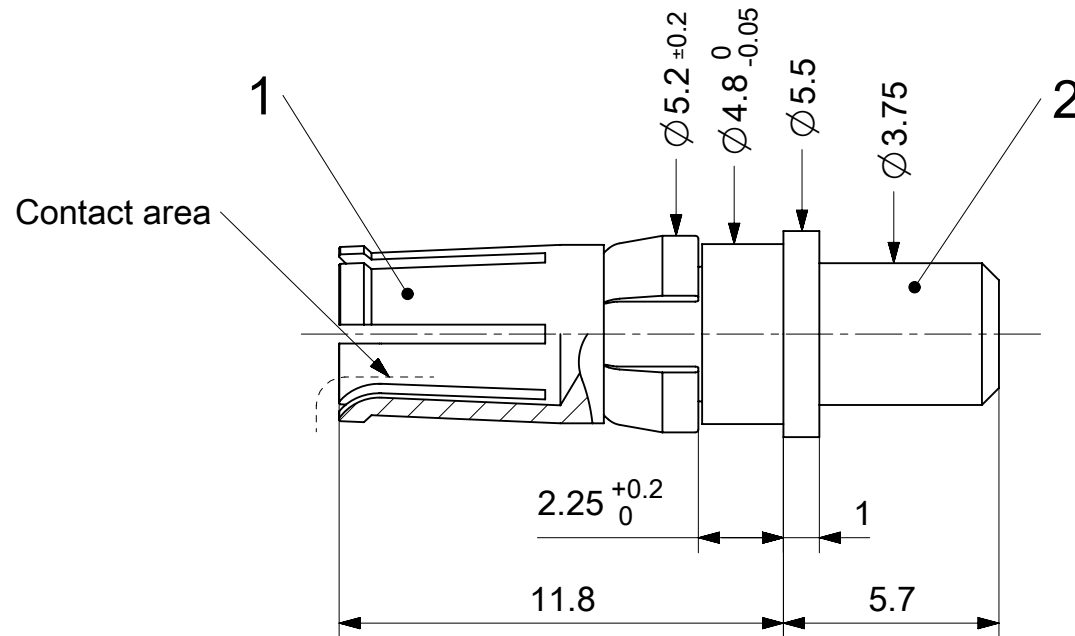
3

2

1



2:1



RoHS compliant
by exemption

1731120086	FMP016S104	104
1731120607	FMP016S105	105
1731120159	FMP016S203	203
Material Number	FCT Part Number	Material + Finish See extra sheet

UNLESS OTHERWISE SPECIFIED DIMENSIONS FOR REFERENCE ONLY			REPLACEMENT FOR DOCUMENT NUMBER: FMP016S					
FUNCTIONAL SYMBOLS	THIS DRAWING CONTAINS INFORMATION THAT IS PROPRIETARY TO MOLEX ELECTRONIC TECHNOLOGIES, LLC AND SHOULD NOT BE USED WITHOUT WRITTEN PERMISSION							
	DIMENSION UNITS	SCALE	CURRENT REV DESC:					
	$\frac{F}{A} = 0$	mm	5:1	EC NO: 686935				
	$\frac{F}{E} = 0$	GENERAL TOLERANCES (UNLESS SPECIFIED)		DRWN: FVETTER 2021/11/29				
$\frac{F}{P} = 0$	ANGULAR TOL \pm °		CHK'D: MTEUBEL 2021/11/30					
DIVISIONAL SYMBOLS	4 PLACES	\pm	APPR: MTEUBEL 2021/11/30					
	3 PLACES	\pm	INITIAL REVISION:					
	2 PLACES	\pm	DRWN: VLOKESHA 2021/04/01					
	1 PLACE	\pm	APPR: MTEUBEL 2021/11/25					
0 PLACES	\pm	FIRST ANGLE PROJECTION						
DRAFT WHERE APPLICABLE MUST REMAIN WITHIN DIMENSIONS		DRAWING		SERIES	DOCUMENT NUMBER	DOC TYPE	DOC PART	REVISION
		A4-SIZE		173112	1731120086	PSD	000	A1
MATERIAL NUMBER			CUSTOMER			SHEET NUMBER		
SEE TABLE			GENERAL MARKET			1 OF 1		

DOCUMENT STATUS | P1 | RELEASE DATE | 2021/11/30 | 09:45:11

FORMAT: master-ib-proof-A4
REVISION: J
DATE: 2020/01/14

6

5

4

3

2

1