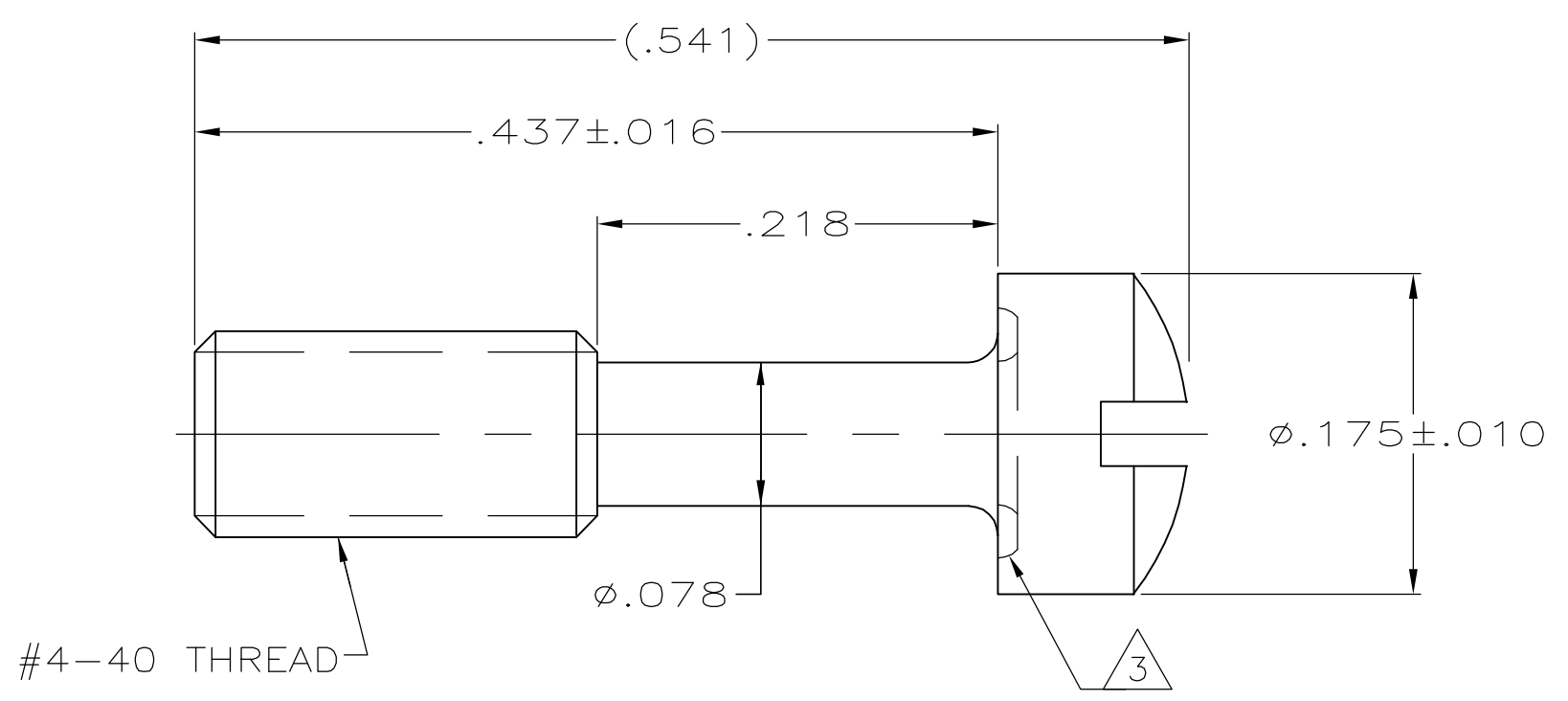


THIS DRAWING IS UNPUBLISHED. RELEASED FOR PUBLICATION
 © COPYRIGHT - BY TYCO ELECTRONICS CORPORATION. ALL RIGHTS RESERVED.

LOC	DIST	REVISIONS					
GP	00	P	LTR	DESCRIPTION	DATE	DWN	APVD
			0	RELEASED PER EC 0S13-0207-05	22JUN05	RR	JG

- 1 . MUST BE USED WITH PART NUMBER 5206473.
- 2 ZINC PLATED .000200-.000400 THICK, CLEAR CHROMATE COATING.
- 3 UNDERCUT MAY OR MAY NOT BE PRESENT IN THIS AREA.



2	5206052-3
FINISH	PART NUMBER

THIS DRAWING IS A CONTROLLED DOCUMENT.		DWN	R.RICHARDSON	22JUN05	Tyco Electronics Corporation Harrisburg, Pa 17105-3608				
DIMENSIONS: INCHES		CHK	C.ROHDE	22JUN05					
TOLERANCES UNLESS OTHERWISE SPECIFIED:		APVD	M.WALMSLEY	22JUN05	NAME				
0 PLC ± - 1 PLC ± - 2 PLC ± - 3 PLC ± .005 4 PLC ± - ANGLES ± -		PRODUCT SPEC		SADDLE SCREW, AMPLIMITE					
MATERIAL		APPLICATION SPEC		SIZE			CAGE CODE	DRAWING NO	RESTRICTED TO
COLD ROLLED STEEL		FINISH		WEIGHT		A3 00779		C=5206052	-
SEE TABLE		CUSTOMER DRAWING			SCALE	10:1	SHEET	1 OF 1	REV
									0